



A0060

2" Shear Valve



New!!
2" Stainless
Steel Design

- **Stainless steel design compatible with gasoline/alcohol blends up to E15, Biodiesel blends up to B100, and Ultra Low Sulfur Diesel**
- **2" NPT inlet/outlet**
- **Mounting bolts included**

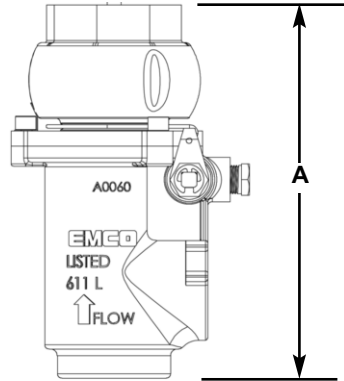
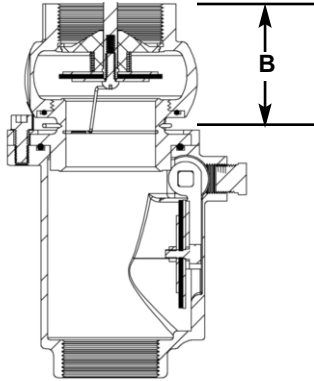
EMCO WHEATON RETAIL CORPORATION

2300 Industrial Park Drive • Wilson, North Carolina 27893 • 252-243-0150 • 252-243-4603 (fax) • www.emcoretail.com



A0060

2" Shear Valve



Materials

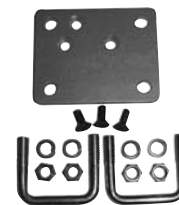
Body: Stainless Steel
 Spring: Stainless Steel
 Seal: Nitrile

Guide Specification: 2" Emergency double poppet shut off valve for installation under gasoline or diesel dispensing units. Incorporates a replaceable shear section and a heat sensitive fusible link assembly. Valve can be manually operated to facilitate dispenser maintenance and incorporates a 3/8" test port. Closing poppet assembly is positioned out of the fuel flow path to minimize pressure drop. The A0060 utilizes a standard three boss mounting arrangement. Single and double poppet variants available.

Model No.	Description	Inlet	Outlet	Lbs.	A	B
A0060-202S	2" Single Poppet NPT	Female	Male	7.5	9.7"	4.0"
A0060-203S	2" Single Poppet NPT	Female	Female	7.1	8.4"	2.7"
A0060-222S	2" Double Poppet NPT	Female	Male	7.7	9.7"	4.0"
A0060-223S	2" Double Poppet NPT	Female	Female	7.5	8.4"	2.7"
A0060-215S	2" Single Poppet BSPT	Female	Male	7.5	9.7"	4.0"
A0060-216S	2" Single Poppet BSPT	Female	Female	7.1	8.4"	2.7"
A0060-225S	2" Double Poppet BSPT	Female	Male	7.7	9.7"	4.0"
A0060-226S	2" Double Poppet BSPT	Female	Female	7.5	8.4"	2.7"

Replacement Parts

Part No.	Description	Outlet	Lbs.
495651	2" Replacement Top; 1 Poppet NPT	Male	3.1
495650	2" Replacement Top; 1 Poppet NPT	Female	2.7
495649	2" Replacement Top; 2 Poppet NPT	Male	3.3
495657	2" Replacement Top; 2 Poppet NPT	Female	2.9
495668	2" Replacement Top; 1 Poppet BSPT	Male	3.1
495669	2" Replacement Top; 1 Poppet BSPT	Female	2.7
495670	2" Replacement Top; 2 Poppet BSPT	Male	3.3
495671	2" Replacement Top; 2 Poppet BSPT	Female	2.9
492963K	Fusible Link Kit		0.2
572417	Control Arm		
A0065-001	A0060 Stabilizer Bar Mounting Kit		3.8



A0065
Mounting Kit

Emco Wheaton Retail Corporation

2300 Industrial Park Drive • Wilson, North Carolina 27893 • 252-243-0150 • 252-243-4603 (fax) • www.emcoretail.com