

EMCO®
WHEATON RETAIL

A0060 Shear Valve

**ATEX & UL
Approved**

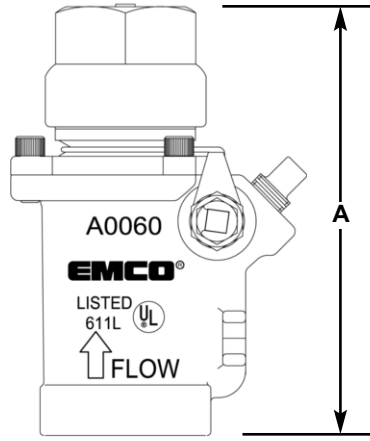
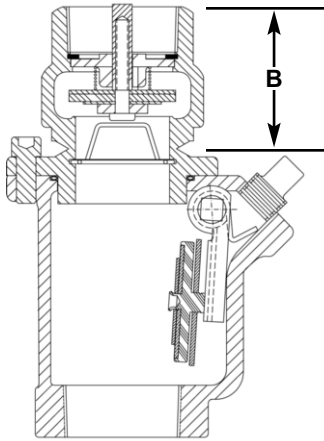
***Available in
Stainless Steel for
E85, DEF & Ultra
Low Sulfur Diesel***



- **Beefier Castings for Rugged Reliability**
- **Mounting Bolts Included**

EMCO WHEATON RETAIL CORPORATION

2300 Industrial Park Drive • Wilson, North Carolina 27893
252-243-0150 • 252-243-4603 (fax) • www.emcoretail.com



Materials

Body: Cast Iron
Spring: Stainless Steel
Seal: Viton®

Viton® is a registered trademark of DuPont Dow Elastomers.

Approvals

UL MH6518



ATEX FTZÚ14ATEX0204



Guide Specification: Emergency shut off valve for installation under gasoline dispensing units. Incorporates a replaceable shear section and a heat sensitive fusible link assembly. Valve can be manually operated to facilitate dispenser maintenance and incorporates a 3/8" test port. Closing poppet assembly is positioned out of the fuel flow path to minimize pressure drop. The A0060 utilizes a standard three boss mounting arrangement. Available in single poppet and double poppet configurations.

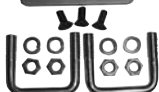
Model No.	Stainless Steel	Description	Inlet	Outlet	Weight	SST Wt.	A	B
A0060-002	A0060-002S	1 1/2" Single Poppet	Female	Male	5.7 lbs.	6.4 lbs.	6.9"	2.2"
A0060-003	A0060-003S	1 1/2" Single Poppet	Female	Female	5.6 lbs.	6.3 lbs.	6.7"	1.7"
A0060-015	A0060-015S	1 1/2" Single Poppet	Female BSPT	Male BSPT	5.7 lbs.	6.4 lbs.	7.9"	3.2"
A0060-016	A0060-016S	1 1/2" Single Poppet	Female BSPT	Female BSPT	5.6 lbs.	6.3 lbs.	6.9"	2.2"
A0060-022	A0060-022S	1 1/2" Double Poppet	Female	Male	5.8 lbs.	6.7 lbs.	7.9"	3.2"
A0060-023	A0060-023S	1 1/2" Double Poppet	Female	Female	5.7 lbs.	6.4 lbs.	6.9"	2.2"
A0060-025	A0060-025S	1 1/2" Double Poppet	Female BSPT	Male BSPT	5.8 lbs.	6.7 lbs.	7.9"	3.2"
A0060-026	A0060-026S	1 1/2" Double Poppet	Female BSPT	Female BSPT	5.7 lbs.	6.4 lbs.	6.9"	2.2"

Replacement Parts

Part No.	Stainless Steel	Description	Outlet	Weight	SST Wt.
492938	492938S	1 1/2" Replacement Top; 1 Poppet	Male	2.2 lbs.	2.5 lbs.
492939	492939S	1 1/2" Replacement Top; 1 Poppet	Female	2.3 lbs.	2.6 lbs.
493885	493885S	1 1/2" Replacement Top; 1 Poppet	Female BSPT	1.4 lbs.	1.6 lbs.
493886	493886S	1 1/2" Replacement Top; 1 Poppet	Male BSPT	1.6 lbs.	1.8 lbs.
493887	493887S	1 1/2" Replacement Top; 2 Poppets	Male	2.7 lbs.	3.0 lbs.
493888	493888S	1 1/2" Replacement Top; 2 Poppets	Female	2.7 lbs.	3.0 lbs.
493889	493889S	1 1/2" Replacement Top; 2 Poppets	Male BSPT	1.6 lbs.	1.8 lbs.
493890	493890S	1 1/2" Replacement Top; 2 Poppets	Female BSPT	1.6 lbs.	1.8 lbs.
492963K		Fusible Link Kit		0.2 lbs.	
564036		Control Arm			
A0065-001		A0060 Stabilizer Bar Mounting Kit		3.8 lbs.	



A0065
Mounting Kit



Emco Wheaton Retail Corporation

2300 Industrial Park Drive • Wilson, North Carolina 27893
252-243-0150 • 252-243-4603 (fax) • www.emcoretail.com

Form V-1000
Date 05/17