

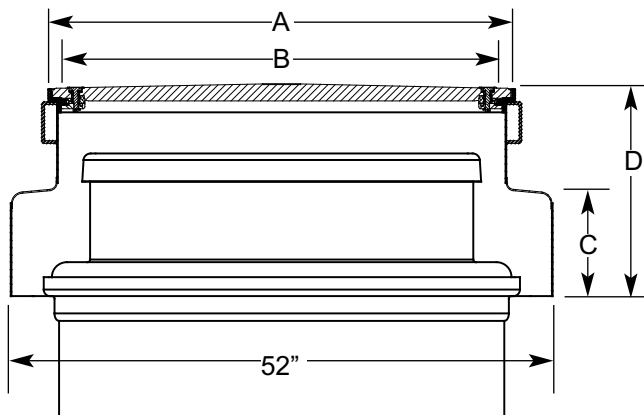
A0716

Wedding Cake Assembly

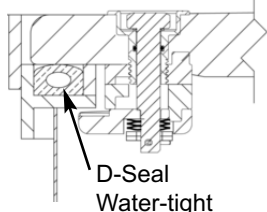
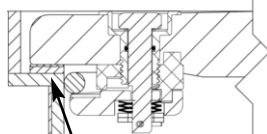


Installs over Xerxes Containment Sump or Containment Solutions Fiberglass Turbine Enclosure

- Lightweight, slip-resistant composite lid
- Stainless steel fittings
- Spring-loaded and key-lift handle
- Stainless steel pry bar cleat
- 16 gauge steel skirt, standard
Stainless steel rim and skirt available
- Cam-lock fittings - etched to show open and close directional arrows; powder coated cast steel cam
- Meets AASHTO H20 wheel loading
- Lay-in versions available
- Color coded lids available upon request
- ID markers available upon request
- 36 month warranty on composite lids
ManholeTrak warranty tracking system available on our website, www.emcoretail.com



Seal Options



Part Number	Description	Lid Dim. A	Clear Hole Dim. B	Height C	Height D
A0716-042CW	Cam-lock	43.75"	41.63"	10.10"	21.25"
A0716-042CDW	Cam-lock, D-Seal	43.75"	41.63"	10.10"	22.13"
A0716-044CW	Cam-lock	44.25"	41.69"	10.10"	21.25"
A0716-044CDW	Cam-lock, D-Seal	44.25"	41.69"	10.10"	22.13"

Add "S" suffix for all stainless steel construction

EMCO WHEATON RETAIL CORPORATION

2300 Industrial Park Drive • Wilson, North Carolina 27893 252-243-0150 • 252-243-4603 (fax) • www.emcoretail.com