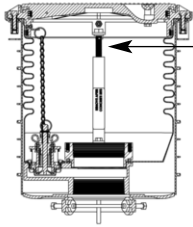


Replaceable Spill Containment Single Wall Poly (HDPE)



Adjustment screws allow change in elevation $\pm 1\frac{1}{2}$ " (5 gallon models)

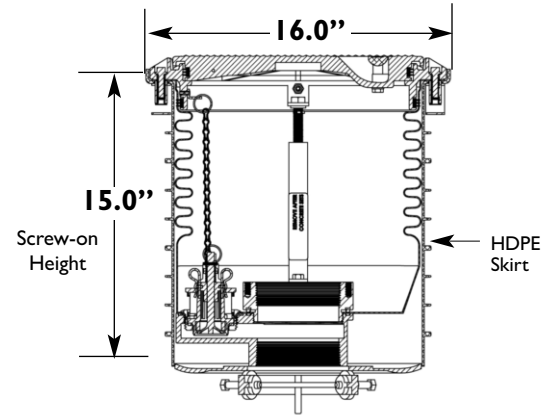


5 Gallon Thread-On



A1004EVR-316A
A1004EVR-317A

■ ULC Listed MH21149
Florida DEP #EQ-524



Replaces all A1004EVR-210 variants
Installs on 16" centers

Never Break Concrete - Easily repair or replace primary unit from grade without breaking concrete

Heavy duty, snow plow resistant ductile iron, powder coated plow rim

Water-resistant cast iron lid with built-in handle, exclusive triple wiper seal and vent valve. Meets AASHTO H20 wheel loading

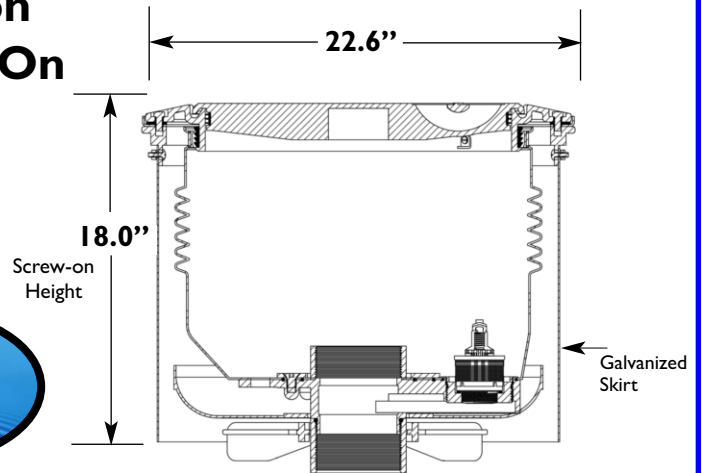
HDPE bellows

4 inch NPT or BSPT thread

15 Gallon Thread-On



■ ULC Listed MH21149
Florida DEP #EQ-695

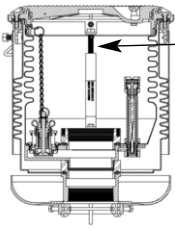


Phase I EVR Certified
Executive Order VR-105

Model No.	Description	Application	Lid Dia.	Lid Wt.	Total Wt.
A1004EVR-316A	Single wall poly, 16" center, drain, 5 gal, EVR	Fill/Vapor	13.2"	15.9 lbs.	66.0 lbs.
A1004EVR-317A	Single wall poly, 16" center, no drain, 5 gal, EVR	Vapor	13.2"	15.9 lbs.	63.0 lbs.
A1004EVR-215A	Single wall poly, drain, 15 gal, EVR	Fill/Vapor	17.3"	30.0 lbs.	126.0 lbs.
A1004EVR-216A	Single wall poly, no drain, 15 gal, EVR	Fill/Vapor	17.3"	30.0 lbs.	126.1 lbs.

Add a "V" to the end of the variant number to include an A0076-124S Vapor Swivel Adapter and A0099-002 Vapor Cap; add an "X" to include an A0030-124S Fill Swivel Adapter and A0097-005 Fill Cap. Refer to pages 7&8 for repair kits and replacement parts.

Replaceable Spill Containment Double Wall Poly (HDPE)



Adjustment screws allow change in elevation $\pm 1\frac{1}{2}$ " (5 gallon models)

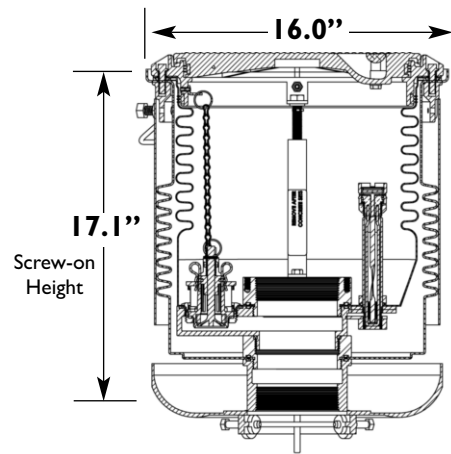


5 Gallon Thread-On



A1004EVR-316S
A1004EVR-317S

■ ULC Listed MH21149
Florida DEP #EQ-741



Replaces all A1004EVR-210 variants
Installs on 16" centers

Never Break Concrete - Easily repair or replace primary unit from grade without breaking concrete

Heavy duty, snow plow resistant ductile iron, powder coated plow rim

Water-resistant cast iron lid with built-in handle, exclusive triple wiper seal and vent valve. Meets AASHTO H20 wheel loading

HDPE bellows

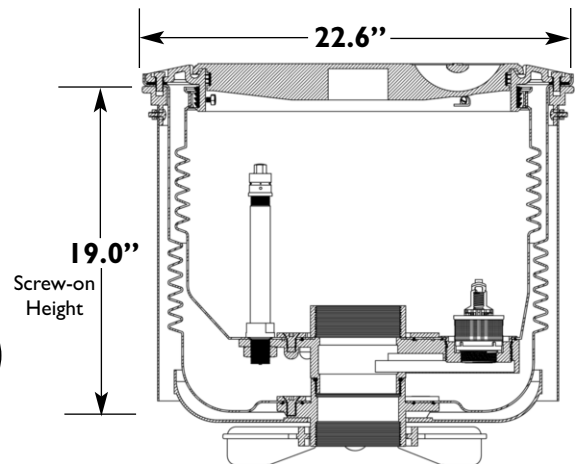
Galvanized skirt

4 inch NPT or BSPT thread

15 Gallon Thread-On



■ ULC Listed MH21149
Florida DEP #EQ-695



Phase I EVR Certified
Executive Order VR-105

Model No.	Description	Application	Lid Dia.	Lid Wt.	Total Wt.
A1004-316S-CM	Double wall poly, 16" center, drain, sensor, 5 gal	Fill/Vapor	13.2"	15.9 lbs.	78.0 lbs.
A1004EVR-316S	Double wall poly, 16" center, drain, 5 gal, EVR	Fill/Vapor	13.2"	15.9 lbs.	84.0 lbs.
A1004-316S-CMX	Double wall poly, 16" center, drain, sensor ready, 5 gal	Fill	13.2"	15.9 lbs.	77.5 lbs.
A1004EVR-317S	Double wall poly, 16" center, no drain, 5 gal, EVR	Fill/Vapor	13.2"	15.9 lbs.	79.9 lbs.
A1004-317S-CM	Double wall poly, 16" center, no drain, sensor, 5 gal	Fill/Vapor	13.2"	15.9 lbs.	77.5 lbs.
A1004EVR-215S	Double wall poly, drain, 15 gal, EVR	Fill/Vapor	17.3"	30.0 lbs.	151.0 lbs.
A1004EVR-216S	Double wall poly, no drain, 15 gal, EVR	Fill/Vapor	17.3"	30.0 lbs.	151.1 lbs.
A1004-215SF4	Glass-on remote fill, double wall poly, drain, 15 gal	Remote Fill	17.3"	30.0 lbs.	
A1004-216SF4	Glass-on remote fill, double wall poly, no drain, 15 gal	Remote Fill	17.3"	30.0 lbs.	

Add a "V" to the end of the variant number to include an A0076-124S Vapor Swivel Adapter and A0099-002 Vapor Cap; add an "X" to include an A0030-124S Fill Swivel Adapter and A0097-005 Fill Cap. Refer to pages 7&8 for repair kits and replacement parts.

Lids

AI004EVR-210 Series

A1004-210LID	Black, Cast Iron
A1004-210LID-C	Black, Composite
A1004-210LID-D	Yellow, ULSD, Cast Iron
A1004-210LID-CD	Yellow, ULSD, Composite
A1004-210LID-R	White, Regular, Cast Iron
A1004-210LID-CR	White, Regular, Composite
A1004-210LID-U	Red, Ultra/Premium, Cast Iron
A1004-210LID-CU	Red, Ultra/Premium, Composite
A1004-210LID-V	Orange, Vapor, Cast Iron
A1004-210LID-CV	Orange, Vapor, Composite
571815	Triple Wiper Seal



A1004-210LID
15.3" Diameter

AI004EVR-316 Series

A1004-316LID	Lid & Seal, Composite
A1004-316CLID	Lid & Seal, Cast Iron
A1004-316LID-D	Yellow, ULSD, Composite
A1004-316CLID-D	Yellow, ULSD, Cast Iron
A1004-316LID-R	White, Regular, Composite
A1004-316CLID-R	White, Regular, Cast Iron
A1004-316LID-U	Red, Ultra/Premium, Composite
A1004-316CLID-U	Red, Ultra/Premium, Cast Iron
A1004-316LID-V	Orange, Vapor, Composite
A1004-316CLID-V	Orange, Vapor, Cast Iron
570012	Triple Wiper Seal

AI004-215 Series

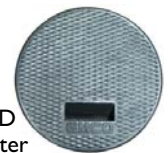
494554	Lid & Seal Kit
569227	Triple Wiper Seal



494554
17.3" Diameter



A1004-316LID
13.2" Diameter



A1004-316CLID
13.2" Diameter

Repair Kits

AI004EVR-210 Series

494360EVR	Primary Replacement Kit (EVR-210A)
494466EVR	Primary Replacement Kit (EVR-211A)
494466DEVR	Primary Replacement Kit (EVR-211AD)
494350EVR	Primary Replacement Kit (EVR-210S)
494350EVR-CM	Primary Replacement Kit (EVR-210S-CM)
494467EVR	Primary Replacement Kit (EVR-211S)
494467EVR-CM	Primary Replacement Kit (EVR-211S-CM)
494467DEVR	Primary Replacement Kit (EVR-211SD)

Lid Included with all Replacement Kits

AI004EVR-316 Series

494797EVR	Primary Replacement Kit (EVR-316A)
494798EVR	Primary Replacement Kit (EVR-317A)
494794EVR	Primary Replacement Kit (EVR-316S)
494794EVR-CM	Primary Replacement Kit (EVR-316S-CM)
494795EVR-CM	Primary Replacement Kit (EVR-317S)
494836	Primary Rim Kit

AI004EVR-215 Series

494550EVR	Primary & Secondary Replacement Kit (-215S)
494660EVR	Primary & Secondary Replacement Kit (-216S)

Drain Kits



494551
A1004-316 Poly

494551S
A1005 Stainless Steel



493508K
Series:
A1004-003
A1004-010



494118
EVR Series

493820
Drain Wrench
For use on 493508K
and 494118 drains



Drain Plugs & Adapters

494697P
1 plug
no epoxy



494697
3 plugs, epoxy

Replaces 494551 Drain

494697S
1 plug
no epoxy



Replaces 494551S Drain

495202
1 plug, no epoxy



494698
3 plugs, epoxy

Replaces 493508K
& 494118 Drains



494875
Adapter Kit
494551 Drain
2.26" top dia.



494952
Adapter Kit
494118 Drain
4.0" top dia.

Replacement Parts



Dip Sticks

494367

A1004EVR Series



494641

A1004-210/-316 Series



A1004-001 GAGE - EZ-Gage for use on 5 gallon double wall spill containment in place of a dipstick. The EZ-Gage allows for hands-free, visual inspection of interstitial space, displaying green (OK) or red (TEST) to indicate if liquid removal is required.



A1004-001SEN
Replacement sensor kit for S-CM models

Tools/Accessories



A0081-001
Swivel Adapter
Wrench



A0081-001H
Wrench, Primary
Base Removal



A0081-001S
Wrench, Secondary
Base Removal



A0028-001
Riser Lock



A0031-175
1.75" ht.
A0031-250
2.50" ht.



A0333-002
Hand Pump
A0333-003
Includes mounting
bracket for 15
gallon series

Test Equipment



A1004-210TEST
Vacuum Apparatus w/Test Adapter

Replacement Parts for
A1004-210TEST:
569194 Air Switch
569195 Air Regulator



494343
Test Adapter



569143
Test Cap Assembly