



A1004EVR

Poly (HDPE)
Spill Containment



Never Break Concrete Again

EMCO WHEATON RETAIL CORPORATION

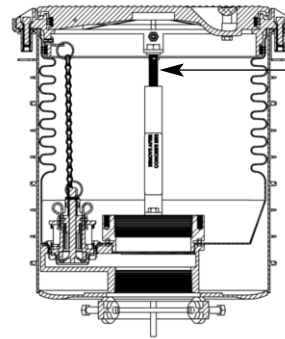
2300 Industrial Park Drive • Wilson, North Carolina 27893
252-243-0150 • 252-243-4603 (fax) • www.emcoretail.com



A1004EVR Poly (HDPE) Spill Containment

The A1004EVR-316 Series spill containers are Phase I EVR Certified under Executive Order VR-105

- **Never break concrete again** - easily repair or replace primary and secondary units from grade without breaking concrete
- Grade level spill containment, 5 gallon capacity
- Installs on 16" center/center tank bung spacing
- Single wall or double wall - screw-on style
- HDPE bellows
- Water-resistant ductile iron or composite lid with built-in handle, exclusive triple wiper seal and vent valve; meets AASHTO H20 wheel loading
- Lid and rim available powder coated to API color specifications
- EZ-Gage to monitor interstitial space at a glance (double wall versions)
- 4 inch NPT or BSPT thread



Adjustment screws allow change in elevation $\pm 1\frac{1}{2}$ " (5 gallon models)



Composite Lid
Ductile Iron Rim



Ductile Iron Lid
Ductile Iron Rim



Approvals

CARB Phase I EVR	Executive Order VR-105
ULC Listed	MH21149
Florida DEP	#EQ-741 (5 gal)
	#EQ-695 (15 gal)
NC DENR	
MO DNR	



A1004-316LID-D
Ultra Low Sulfur Diesel



A1004-316LID-R
Regular



A1004-316LID-V
Vapor



A1004-316LID-DEF
DEF

Protective cover shields rim and lid from concrete slurry



A1004-316LID-U
Ultra/Premium

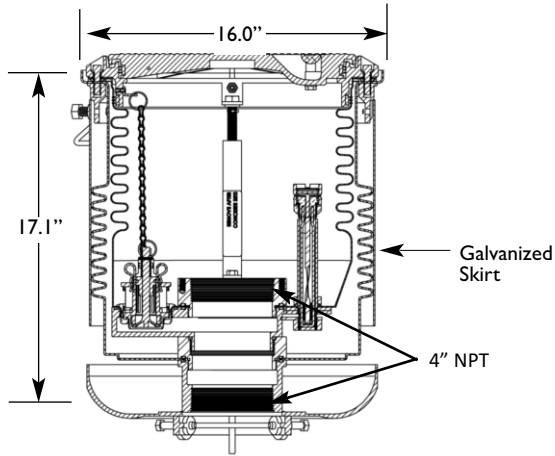


A1004EVR

Poly (HDPE) Spill Containment

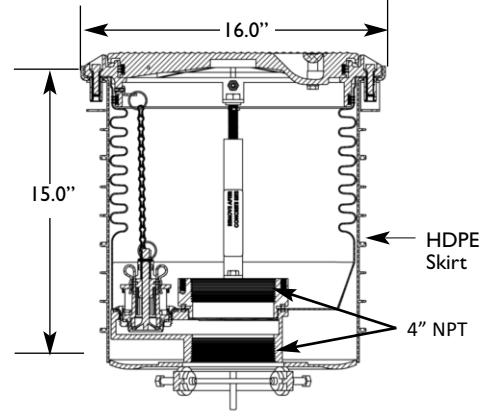


Double Wall Poly



Screw-on 5 Gallon

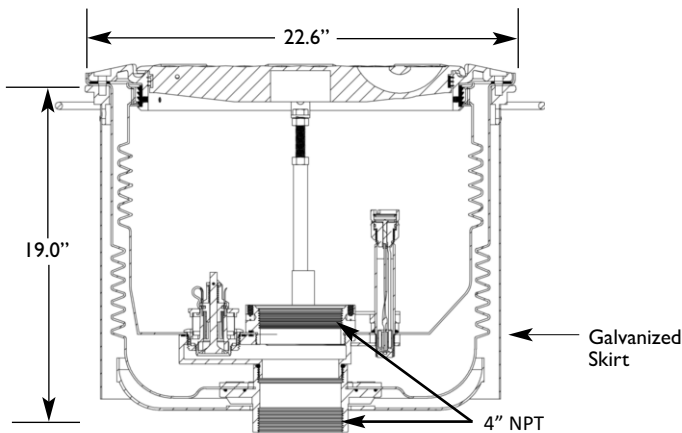
Single Wall Poly



Screw-on 5 Gallon

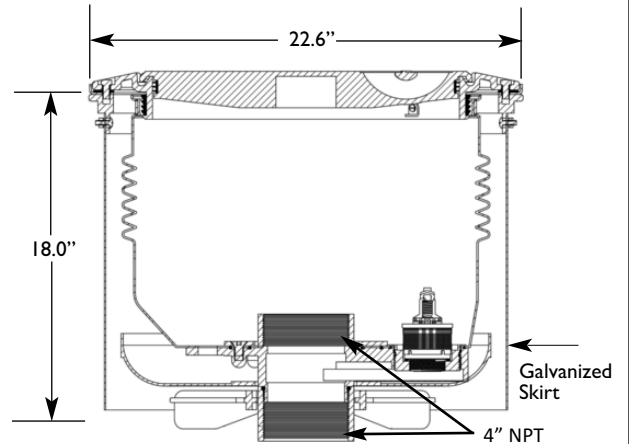
Model No.	Description
A1004EVR-316S	Double wall poly, drain
A1004EVR-316S-CM	Double wall poly, drain, sensor
A1004EVR-317S	Double wall poly, drain plug
A1004EVR-317S-CM	Double wall poly, drain plug, sensor

Model No.	Description
A1004EVR-316A	Single wall poly, drain
A1004EVR-317A	Single wall poly, drain plug



Screw-on 15 Gallon

Model No.	Description
A1004EVR-215S	Double wall poly, drain
A1004EVR-216SJ	Double wall poly, drain plug



Screw-on 15 Gallon

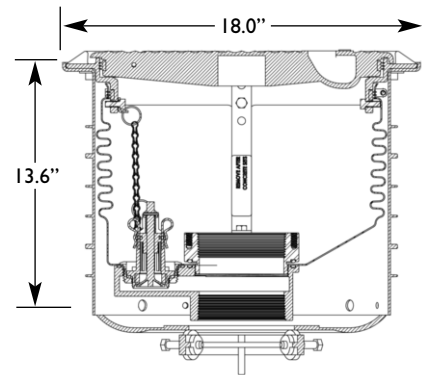
Model No.	Description
A1004EVR-215A	Single wall poly, drain
A1004EVR-216A	Single wall poly, drain plug



A1004EVR

Direct Bury Poly (HDPE)

- Non-replaceable grade level spill containment, 5 gallon capacity
- HDPE bellows and skirt
- Water-resistant cast iron or composite lid with built-in handle, exclusive triple wiper seal and vent valve; meets AASHTO H20 wheel loading
- Lid and rim available powder coated to API color specifications
- Screw-on style
- 4 inch NPT or BSPT thread



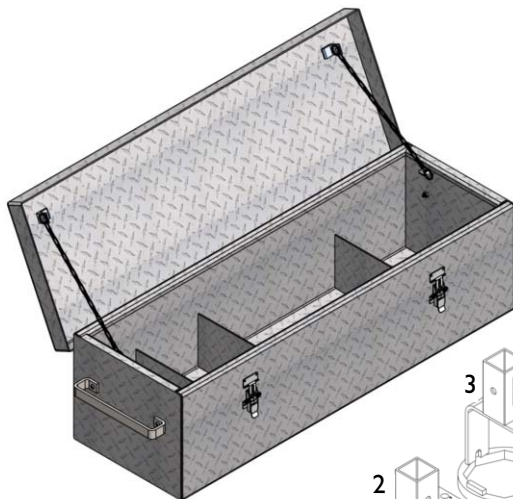
Slimline

Approvals

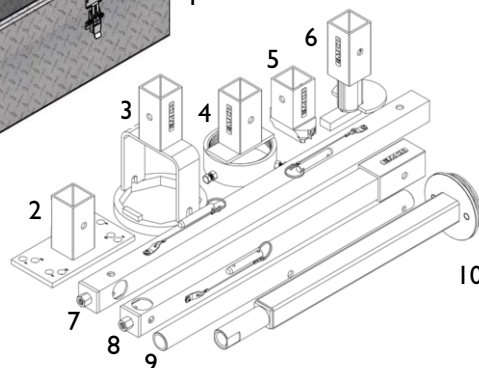
CARB Phase I EVR	Executive Order VR-105
ULC Listed	MH21149
Florida DEP	#EQ-524

Model No.	Description
A1004EVR-010	Slimline, ductile iron lid, drain, 5 gal, EVR
A1004EVR-011	Slimline, ductile iron lid, drain plug, 5 gal, EVR

A0081-001SET Standard Tool Kit



Emco Wheaton A0081 Wrenches are specially designed for the installation and repair of Emco spill containers and adapters. The wrenches are blue powder coated, steel construction.



- | | | |
|----|-----------------|-----------------------------------|
| 1 | A0081-001TB | Tool Box |
| 2 | A0081-001SB | Secondary Flange Removal Bit |
| 3 | A0081-001B | Fill / Vapor Adapter Bit |
| 4 | A0081-003B | Pipe Nipple Extractor Bit |
| 5 | A0081-001LB | Fill Adapter Lug / Riser Seal Bit |
| 6 | A0081-001HB | Spill Container (w/Drain) Bit |
| 7 | A0081-001D | Drive Shaft |
| 8 | A0081-001A | Drive Shaft Extension |
| 9 | A0081-001X | Cross Bar |
| 10 | A0081-003MB | Spill Container (w/o Drain) Bit |
| | A0081-001SET-NB | Standard Tool Kit w/o Tool Box |

Emco Wheaton Retail Corporation

2300 Industrial Park Dr., Wilson, NC 27893 • 252-243-0150 • 252-243-4603 (fax) • www.emcoretail.com