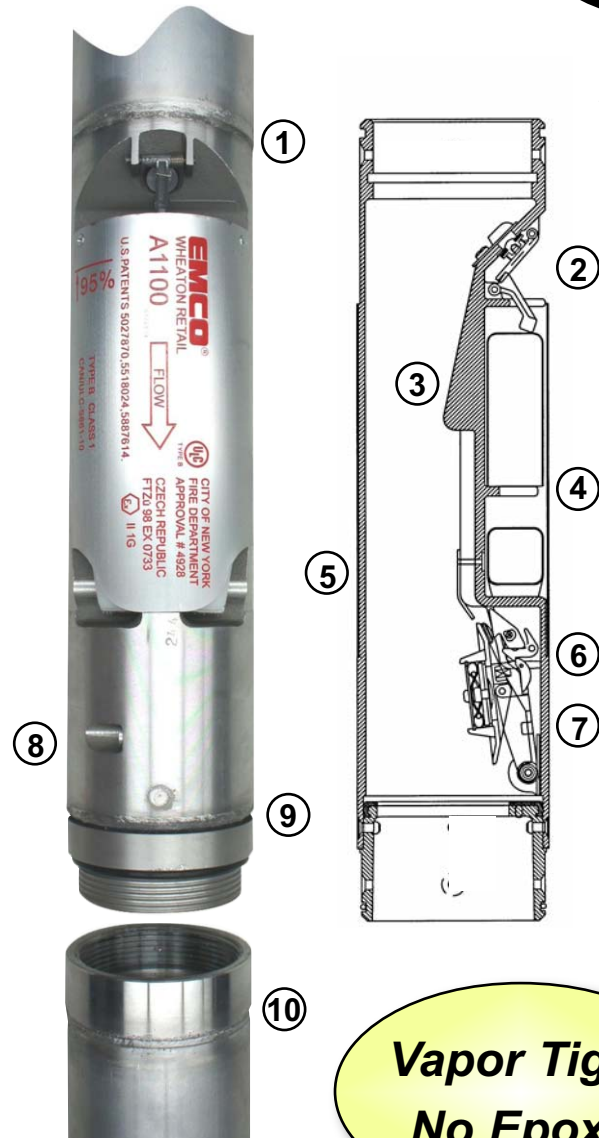




A1100EVR OPV Assemblies

CARB E.O.
VR-105

Provides tank with automatic fuel shutoff at 95% capacity



- 1 Upper drop tube to valve body factory welded
 - 2 Bleed valve drains fuel delivery hose after 95% shut-off
 - 3 Diverter fins protect flapper valve during routine "tank stick" gauging
 - 4 Top and bottom floats contained in protective sleeve to insure damage-free installation and removal from tank fill riser
 - 5 Die cast aluminum valve body design provides the highest delivery flow rate
 - 6 Spring loaded reset function opens flapper valve and allows for immediate "tank stick" gauging
 - 7 Flapper valve provides positive fuel shut-off at 95% total storage tank capacity
 - 8 External field test port allows for manual routine testing of flapper valve
 - 9 Valve body to male coupling factory welded
 - 10 Female coupling to lower drop tube factory welded
- All materials and seals are compatible with up to E25 ethanol blend gasoline and B20 biodiesel blends
 - Factory tested for operability and vapor tightness integrity
 - The A1100EVR OPV is not recommended for use with underground storage tanks under 6.5 ft in diameter.

**Vapor Tight
No Epoxy**

Model No.	Description	Upper Length A	Lower Length B	Overall Length C	Max. Burial Depth	Nominal Tank Dia.	Weight
A1100EVR-055	Dual Pt Screw Together	70"	82"	167"	6.0'	8'	25.2 lbs.
A1100EVR-056	Dual Pt Screw Together	82"	94"	191"	7.0'	10'	27.2 lbs.
A1100EVR-057	Dual Pt Screw Together	82"	120"	217"	6.8'	12'	30.3 lbs.
A1100EVR-058	Dual Pt Screw Together	120"	120"	255"	10.0'	12'	31.0 lbs.
A1100EVR-057E	Dual Pt Screw Together E85	82"	120"	217"	6.8'	12'	30.5 lbs.

Custom lengths are available upon request

**566675
Drilling Fixture**



A1100 Guardian Overfill Prevention Valve



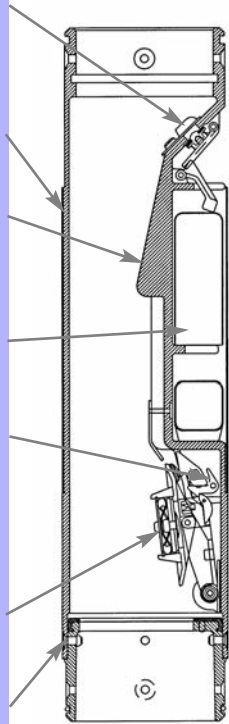
Best Quality • Best Flow • Best Price

EMCO WHEATON RETAIL CORPORATION

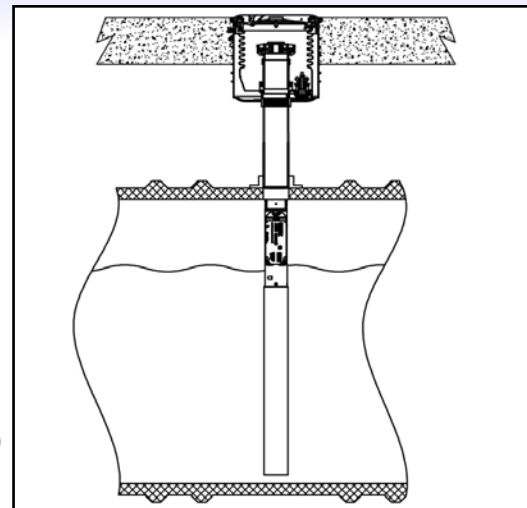
2300 Industrial Park Drive • Wilson, North Carolina 27893
252-243-0150 • 252-243-4603 (fax) • www.emcoretail.com

A1100 Guardian Overfill Prevention System

- **Drain Bleed Valve** for hose drainage, reduces unnecessary delays. Spring loaded and includes soft seat for positive seal
- **Protective Retainer** over floats for protection during installation, shipping and operation
- **Cast-in Dip Stick Diverters** permit stick gauging at any tank level without damage to internal parts
- **Vertical Slide Float Design** for protection during installation
- **Auto Relatch** prevents premature shut-off
- **Integrated Body Design** suitable for both dual point and coaxial drop tubes - one valve for all applications
- **Shock Relief Valve** incorporated to reduce line shock
- **Viton® O-Rings** at base of valve seals drop tube to valve to protect against leakage



S
T
R
A
I
G
H
T
D
R
O
P



Assemblies are factory welded; bottom tube screws to top tube/valve assembly. **No Epoxy**

Assemblies are vapor tight and meet the EPA 40 CFR Part 63 requirements.

All standard A1100 variants are acceptable for use with up to E25 ethanol blend gasoline and B20 Biodiesel blends. Higher percentage ethanol or biodiesel require use of the "E" variant.

R
E
M
O
T
E
F
I
L
L

Remote Fill in Sump **Remote Fill Buried**

8' Tank
A1100-055SRF
A1100-055SERF*

10' Tank
A1100-056SRF
A1100-056SERF*

Complete kits include OPV & riser assembly; must use all parts in kit

OPV Assembly
493436EPA Remote Fill Cage
A1100 Assembly

Riser Assembly
Max burial depth 5' with slip-on, and 5 1/2' with thread-on spill containment
571210 4.19" ID Tube
A0079-444 4" NPT Tee
571209 4.5" Pipe Nipple ID controlled for vapor tight seal

*Compatible with E85 fuels

The remote fill variants are designed for new or tank level retrofit applications in an 8' or 10' tank buried 46" - 54" from the top of the tank to grade. Tank top access is required. If the tank burial depth is less than 46" or greater than 54", alternate or additional equipment will be required. For additional applications and installation instructions, call Customer Service, 800-234-4394.

For information on Emco Remote Fill Spill Containment, see Remote Fill Piping System Cut Sheet O-1014.

Specifications

Weight: 4.3 lbs.
Diameter: 3.76"
Length: 18.0"

Materials

Body: Aluminum
Floats: HDPE
Seals: Viton®

Viton® is a registered trademark of Dupont Dow Elastomers.

Guide Specification: Two stage overfill prevention valve for use in both dual point and coaxial drop tubes, gravity feed systems. Easily installs in a new or existing drop tube assembly for economical compliance with EPA regulations. Internal float design to eliminate any chance of the floats getting caught on tank walls or the riser pipe as well as to prevent float damage during installation. Stick diverter and automatic spring loaded poppet retract from the flow path when the valve is not in operation, allowing for stick gauging at any tank level. Compatible with all standard fuels. Special variants are available for most bulk chemical applications.



566675 Drill Fixture

Aligns holes for drilling to ensure vapor-tight seal

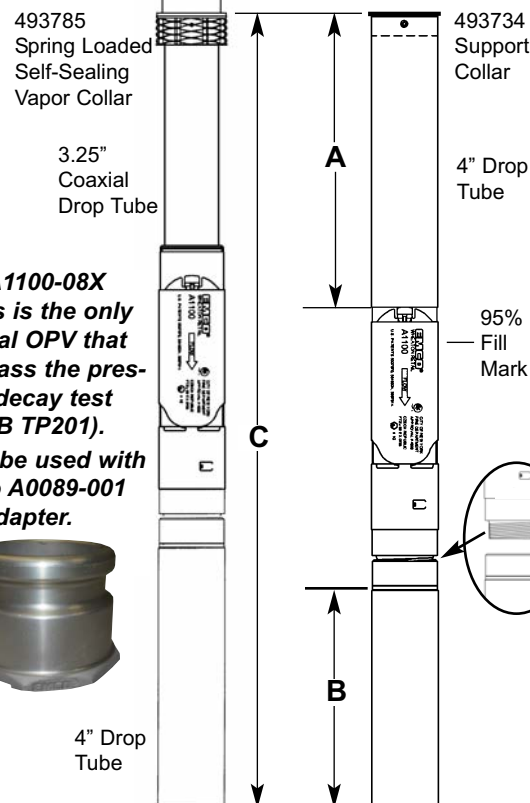
571814 Drill Fixture

For use with remote fill ("RF") variants

Approvals

CARB #99-8
ULC MH21164
ATEX FTZU98EX0733
Florida DEP EQ-414

Coaxial Self-Sealing A1100-08X Series Dual Point A1100-05X Series



Model No.	Description	Upper Length A	Lower Length B	Overall Length C	Max. Burial Depth	Nominal Tank Dia.	Weight
A1100-010	Valve Only	N/A	N/A	N/A	N/A	N/A	5.2 lbs.
A1100-010E	Valve Only E85	N/A	N/A	N/A	N/A	N/A	5.7 lbs.
A1100-011	Valve Only Remote Fill Export	N/A	N/A	N/A	N/A	N/A	5.0 lbs.
A1100-054S	Remote Fill Export	47"	99"	161"	N/A	N/A	28.5 lbs.
A1100-054SC	Remote Fill w/Cage BSPT Export	47"	99"	161"	N/A	N/A	27.9 lbs.
A1100-054SCN	Remote Fill w/Cage NPT	47"	99"	161"	N/A	N/A	25.0 lbs.
A1100-055SRF	Remote Fill Assembly and Kit	70"	82"	175"	4.0'	8'	64.3 lbs.
A1100-055SERF	Remote Fill Assembly and Kit E85	70"	120"	213"	4.0'	8'	64.5 lbs.
A1100-056SRF	Remote Fill Assembly and Kit	82"	94"	199"	4.0'	10'	66.5 lbs.
A1100-056SERF	Remote Fill Assembly and Kit E85	82"	120"	225"	4.0'	10'	66.7 lbs.
A1100-053S	Dual Pt Screw Together	58"	49"	122"	5.0'	6.5'	22.1 lbs.
A1100-055S	Dual Pt Screw Together	70"	82"	167"	6.0'	8'	25.2 lbs.
A1100-056S	Dual Pt Screw Together	82"	94"	191"	7.0'	10'	27.2 lbs.
A1100-056CF	Dual Pt Screw Together; Anodized Top tube	82"	94"	191"	7.0'	10'	27.2 lbs.
A1100-057S	Dual Pt Screw Together	82"	120"	217"	6.8'	12'	30.3 lbs.
A1100EVR-057E	Dual Pt Screw Together EVR E85	82"	120"	217"	6.8'	12'	30.5 lbs.
A1100-058S	Dual Pt Screw Together	120"	120"	255"	10.0'	12'	31.0 lbs.
A1100-058CF	Dual Pt Screw Together; Anodized Top tube	120"	120"	255"	10.0'	12'	31.0 lbs.
A1100-065S	Coaxial Screw Together Non-EPA CFR 40	65"	82"	162"	5.6'	8'	21.9 lbs.
A1100-066S	Coaxial Screw Together Non-EPA CFR 40	65"	94"	174"	5.5'	10'	24.7 lbs.
A1100-067S	Coaxial Screw Together Non-EPA CFR 40	65"	120"	200"	5.3'	12'	22.5 lbs.
A1100-085S	Coaxial Self-Sealing Screw Together	65"	82"	162"	5.4'	8'	23.0 lbs.
A1100-086S	Coaxial Self-Sealing Screw Together	65"	94"	174"	5.3'	10'	26.3 lbs.
A1100-087S	Coaxial Self-Sealing Screw Together	65"	120"	200"	5.1'	12'	28.0 lbs.
A1100-087E	Coaxial Self-Sealing Screw Together E85	65"	120"	200"	5.1'	12'	28.0 lbs.

The A1100 Overfill Prevention Valve is not recommended for tanks under 6.5' in diameter.

Maximum burial depth assumes 95% shut-off and 6" clearance between top of drop tube and inside bottom of containment manhole lid.

Custom lengths available. OPV systems can be ordered as a package with a fill cap and fill adapter. Call Customer Service for ordering information.