

A1004EVR-316A

Single Wall Poly

Spill Containment

Specifications

- Replaceable; easily repair or replace primary unit from grade without breaking concrete
- 5 gal capacity
- Screw on
- Weights: Lid 15.9 lbs, Total: 66 lbs

Materials

- Cast iron rim
- Cast iron water-resistant lid, built-in handle & exclusive triple wiper seal

Installation

- Grade level
- Installs 16" on center

Components

- Drain valve

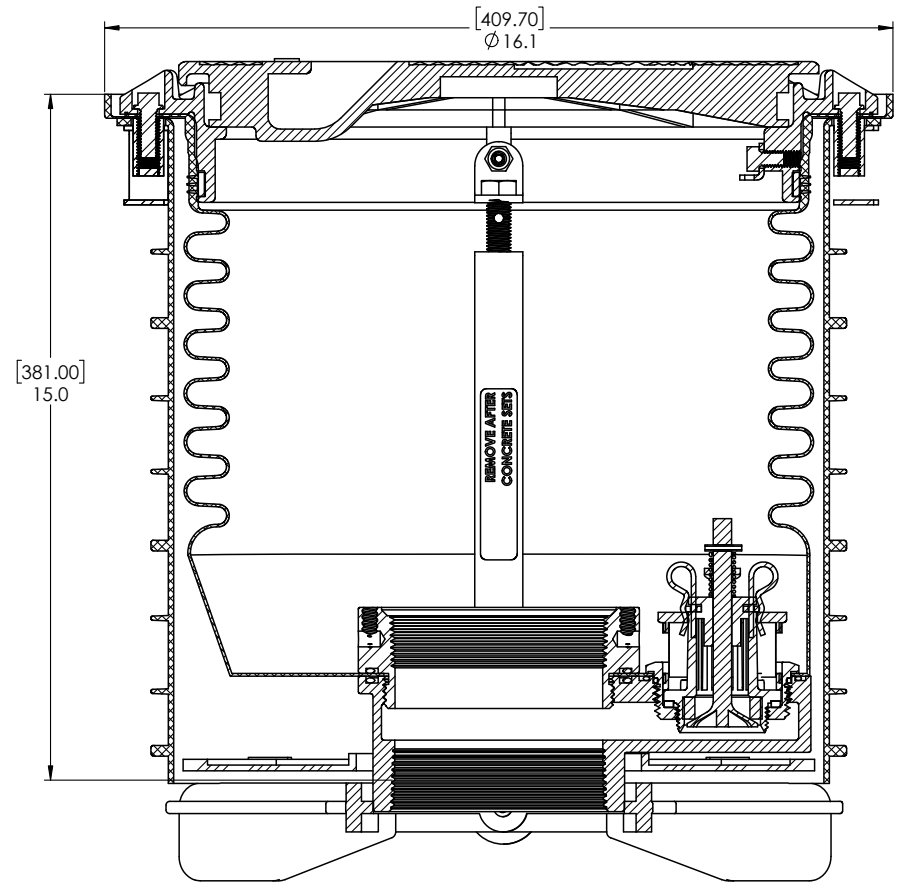
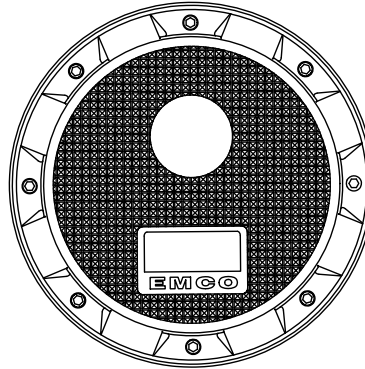
Approvals

- Phase I EVR Executive Order VR-105
- FL DEP #EQ -741
- Lid meets H20 Load Rating

Color Variant Part Numbers

Model No.	Rim/Lid	Adapter/Cap
A1004EVR-316A	Black	N/A
A1004EVR-316AX	Black	Fill

*Includes A0030-124S Fill Swivel Adapter and A0097-005 Fill Cap



EMCO WHEATON RETAIL CORPORATION
2300 INDUSTRIAL PARK DRIVE
WILSON, NC 27893

DO NOT SCALE DRAWING-WORK TO DIMENSIONS SHOWN
DIMENSIONS ARE IN INCHES (DIMENSIONS IN BRACKETS ARE IN MILLIMETERS)

UNLESS OTHERWISE SPECIFIED	
DECIMALS	ANGLES
X ± .030 XX ± .015 XXX ± .005 ± 1°	
CASTING TOLERANCES TO INDUSTRY STANDARDS MACHINED SURFACES 125 RMS REMOVE ALL BURRS	

DRAWN BY NPC	DATE 6/11/2015	USED ON
CHECKED BY	DATE	PROJECT NUMBER
APPROVED BY	DATE	SCALE N/A
		WEIGHT

THE INFORMATION AND DESIGN DISCLOSED BY AND THE COPYRIGHT IN THIS DRAWING ARE THE PROPERTY OF EMCO WHEATON RETAIL CORP. AND CANNOT BE USED WITHOUT WRITTEN PERMISSION.

MATERIAL SEE NOTE	CASTING NUMBER
----------------------	----------------

SYM	REVISIONS	DATE	BY

PART NAME
**SINGLE WALL 16" CENTER
NPT W/ EVR DRAIN**

SIZE	DRAWING NUMBER	PAGE	REV
A	A1004EVR-316A	10F1	E