

A1004EVR-317SS140

Double Wall Stainless Steel

Primary/Poly Secondary

Spill Containment

Specifications

- Replaceable; easily repair or replace primary & secondary units from grade without breaking concrete
- 5 gal capacity
- Screw on
- Weights: Lid 15.9 lbs, Total: 93.3 lbs

Materials

- Cast iron rim
- Cast iron water-resistant lid, built-in handle & exclusive triple wiper sea

Application

- Grade level
- Installs 16" on center

Components

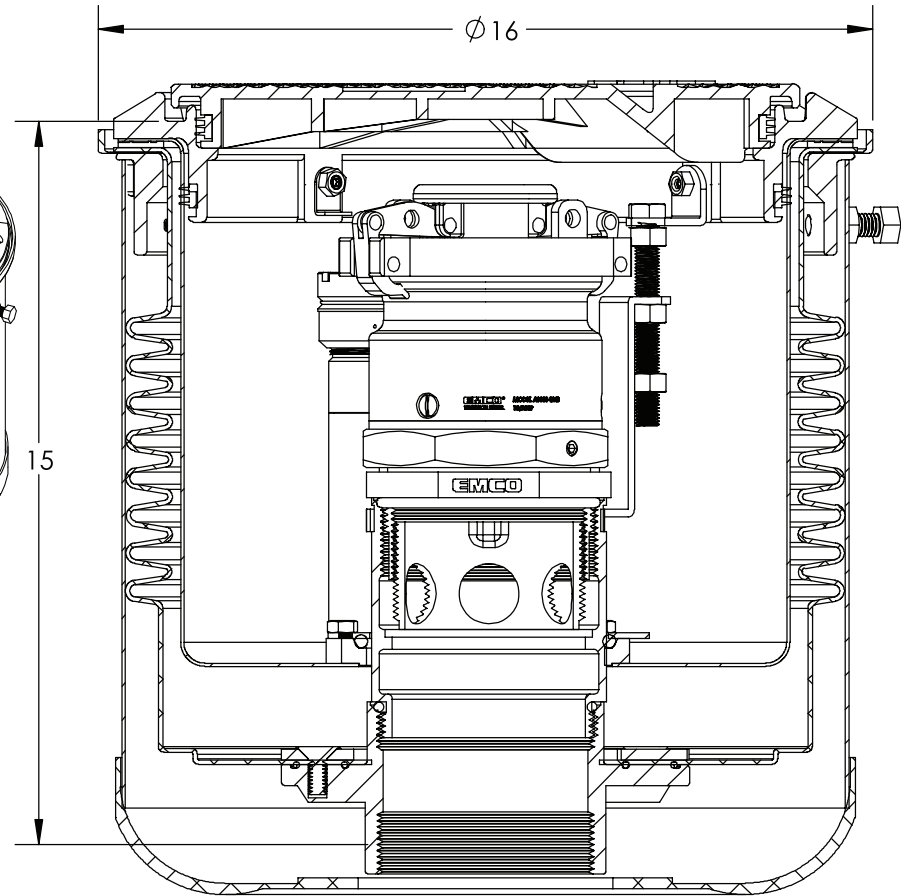
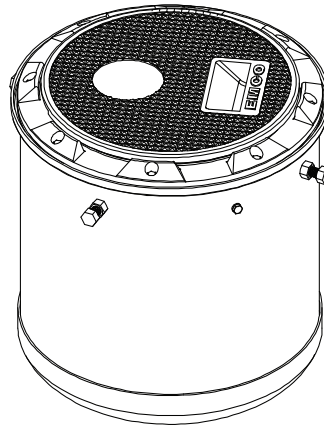
- Powder coated adapter fitting
- A0076-124S Vapor Swivel Adapter
- SST adapter coupling
- A0099-002 Vapor Cap
- Non-corrosive gravel guard
- EZ-Gage to monitor interstitial space at a glance

Approvals

- Phase I EVR Executive Order VR-105
- ULC Listed MH21149
- FL DEP # EQ-741
- NC DENR
- MO DNR
- Lid meets H20 Load Rating

Color Variant Part Numbers

| Model No. | Rim/Lid | A0996 ID Tag |
|-------------------|---------|--------------|
| A1004EVR-317SS140 | Black | ---- |
| A1004EVR-317SS144 | Orange | Vapor |



EMCO WHEATON RETAIL CORP.
2300 INDUSTRIAL PARK DRIVE
WILSON, N.C. 27893
emcoretail.com

DO NOT SCALE DRAWING-WORK TO DIMENSIONS SHOWN
DIMENSIONS ARE IN INCHES (DIMENSIONS IN BRACKETS ARE IN MILLIMETERS)

UNLESS OTHERWISE SPECIFIED
DECIMALS .X ± .030 .XX ± .015 .XXX ± .005 ANGLES ± 1°
CASTING TOLERANCES TO INDUSTRY STANDARDS
MACHINED SURFACES 125 RMS REMOVE ALL BURRS

THE INFORMATION AND DESIGN DISCLOSED
BY AND THE COPYRIGHT IN THIS DRAWING
ARE THE PROPERTY OF EMCO WHEATON
RETAIL CORP. AND CANNOT BE USED
WITHOUT WRITTEN PERMISSION.

| DRAWN BY | DATE | USED ON | CASTING NUMBER |
|----------|-----------|---------|----------------|
| NPC | 6/16/2017 | | |

| SYM | REVISIONS | DATE | BY |
|-----|-----------|----------|-----|
| A | MARKETING | 06/16/17 | NPC |

PART DESCRIPTION
DW 16" CENTER NPT NP DRAIN, SST PRI/ POLY SEC,
CAST RIM & LID +A0097-005 +A0030-124S +494096

| SIZE | DRAWING NUMBER. | PAGE | REV. |
|------|-------------------|------|------|
| A | A1004EVR-317SS140 | 1/1 | A |