

A1005-518AXA

Single Wall Stainless Steel Spill Containment

Specifications

- Replaceable; easily repair or replace primary & secondary units from grade without breaking concrete
- 5 gal capacity
- Single wall
- Weights: Lid 15.9 lbs, Total: 90.4 lbs

Materials

- Stainless steel rim
- Composite water-resistant lid, built-in handle & exclusive triple wiper seal
- Stainless steel primary

Application

- Grade level
- Installs 16" on center
- 4" NPT Screw-on

Components

- Fill adapter
- Low profile cap

Approvals

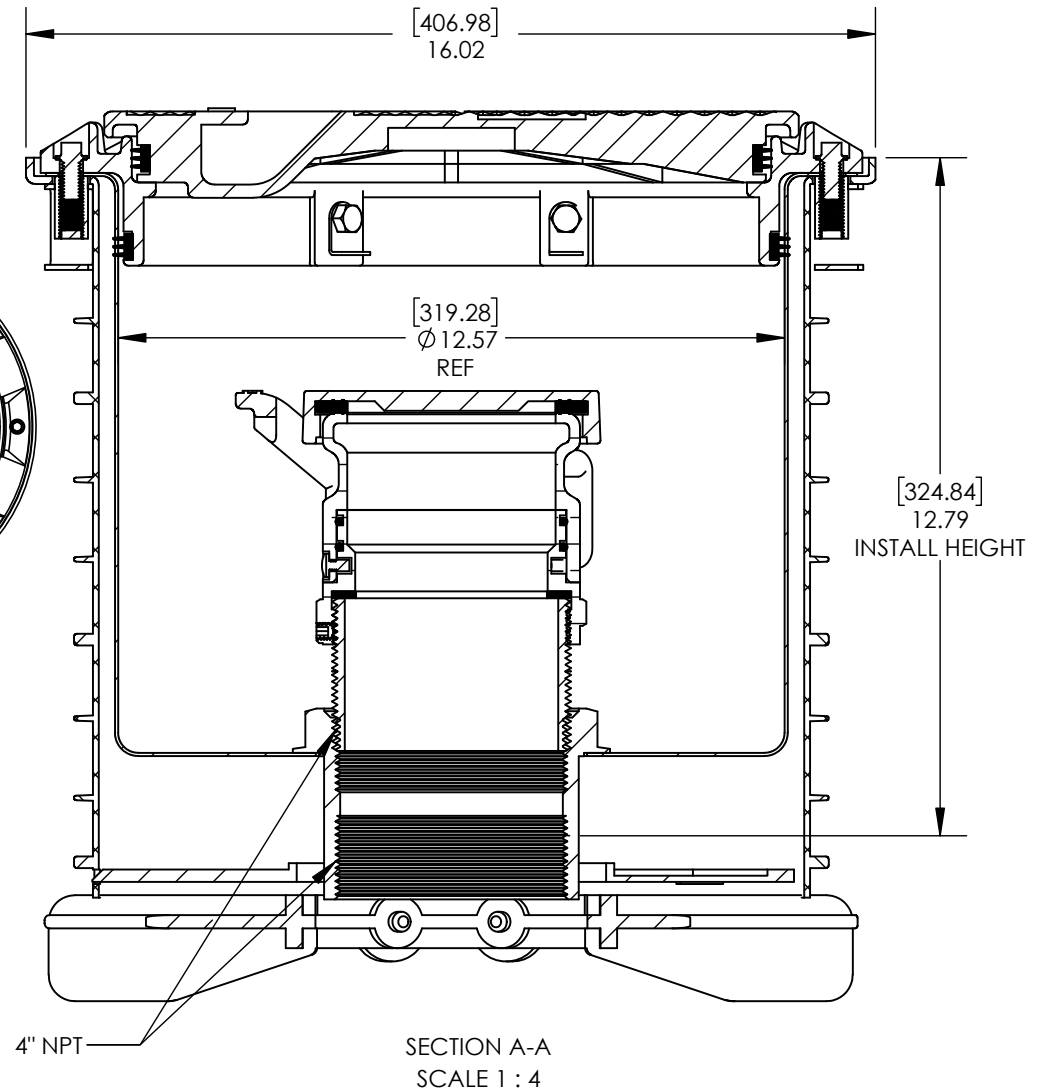
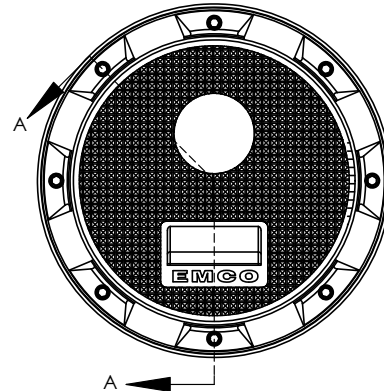
- Lid meets H2O Load Rating

Color Variant Part Numbers

Model No.	Lid	Adapter
A1005-518AXA-D	Yellow	Fill*
A1005-518AXA-E	Bronze/E85	Fill**
A1005-518AXA-EF	Bronze/E15	Fill*
A1005-518AXA-M	Blue	Fill*
A1005-518AXA-R	White	Fill*
A1005-518AXA-U	Red	Fill*

*Includes A0030-124S Brass Fill Swivel Adapter & A0097-004LP Fill Cap

**Includes A0030-124SE Nickel Plated Fill Swivel Adapter & A0097-004LP Fill Cap



EMCO WHEATON RETAIL CORPORATION
2300 INDUSTRIAL PARK DRIVE
WILSON, NC 27893

DO NOT SCALE DRAWING-WORK TO DIMENSIONS SHOWN
DIMENSIONS ARE IN INCHES (DIMENSIONS IN BRACKETS ARE IN MILLIMETERS)

UNLESS OTHERWISE SPECIFIED	DRAWN BY	DATE	USED ON
DECIMALS .X ± .030 .XX ± .015 .XXX ± .005 ± 1"	GEB	8/6/19	
ANGLES CASTING TOLERANCES TO INDUSTRY STANDARDS MACHINED SURFACES 125 RMS REMOVE ALL BURRS	CHECKED BY	DATE	PROJECT NUMBER
	APPROVED BY	DATE	SCALE N/A
	MATERIAL N/A	WEIGHT	CASTING NUMBER

THE INFORMATION AND DESIGN DISCLOSED BY AND THE COPYRIGHT IN THIS DRAWING ARE THE PROPERTY OF EMCO WHEATON RETAIL CORP. AND CANNOT BE USED WITHOUT WRITTEN PERMISSION.

PART NAME		REVISIONS		DATE	BY
SW SST SPILL CONT. THREAD-ON 16" CTR W/FILL ADAPTER/LOW PROFILE CAP					
SIZE	DRAWING NUMBER	PAGE	REV		
A	A1005-518AXA	1 OF 1	A		