

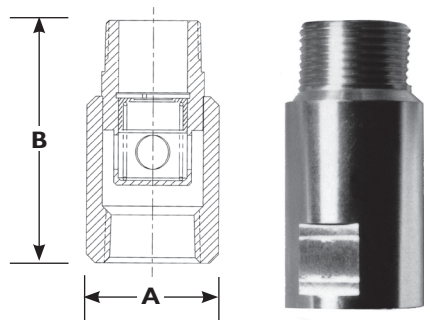
# A0010 Flow Regulator

The Emco Wheaton A0010 is an in-line liquid flow regulating device calibrated to limit flow to 10 gpm, in accordance with Federal EPA requirements. The A0010 is manufactured from zinc-plated steel or aluminum with  $\frac{3}{4}$ " NPT inlet/outlet threads.

## Material

Body: Zinc-plated Steel  
Or Aluminum

Model	Inlet	Outlet	Installation	A	B	Lbs.
A0010-003	Male	Female	Dispenser Outlet	1.4"	2.7"	1.0
A0010-010	Female	Male	Nozzle Inlet	1.1"	2.5"	0.3
A0010-011	Male	Female	Dispenser Outlet	1.1"	2.5"	0.3



■ CARB E.O. G-70-118-AB