

# Standard Manholes

## A0717 Round Manholes

The Emco Wheaton A0717 multi-purpose manhole provides access to all types of underground storage or containment vessels and meets AASHTO H20 wheel loading.

- Open throat design for easy access
- Optional galvanized steel or polyethylene skirt (8" & 12")
- Bolt-down units have water-resistant lids
- Cam-lock units with D-Seal have water-tight lids
- Built-in handle (18")
- Custom skirt heights available on all models

### 24" - 48" Models

- Diamond plate steel lid
- Hot rolled steel skirt
- Concrete anchors
- T-bar frame
- Recessed handle
- Available in lay-in, bolt-down and cam-lock versions



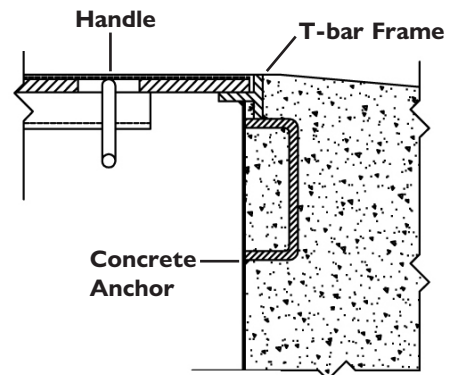
**A0717-036B**



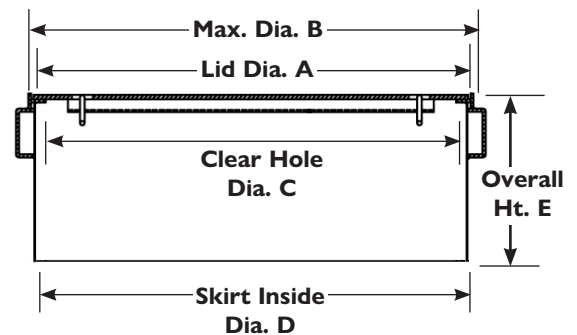
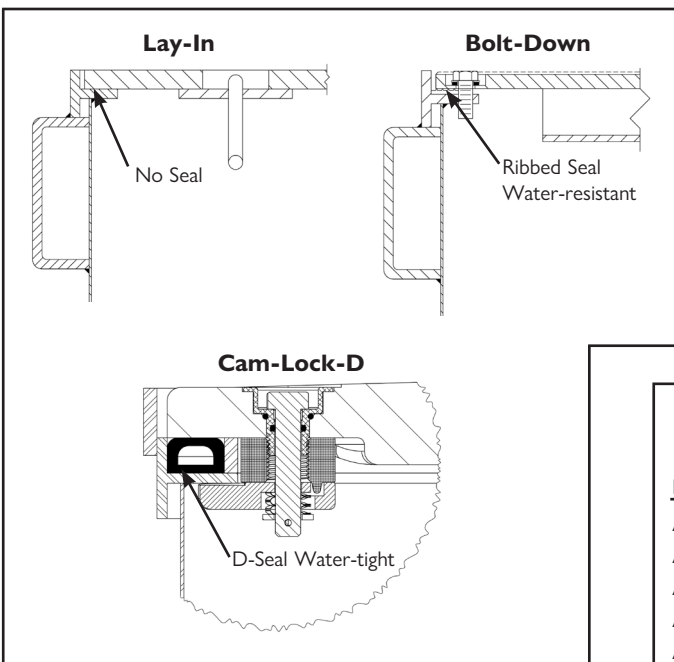
**A0717-018B**

**A0717-188**

**A0717-022B**



### Seal Options (24" - 48" Models)



### 3/8" Steel Drop-In Replacement Lids For Competitors' Manholes

Emco	OPW	Franklin	Flexing	Morrison
A0717-039LID	E00618	781-448-06		
A0717-039M				318L-3812ACC
A0717-042LID			14U-4210C	
A0717-044LID	E00626	781-445-06		
A0717-044M				318L-4412ACC

# Standard Manholes

## A0717 Round Manholes

	Model Number	Pallet Qty.	Style	Skirt	Lid	Lid Dia. A	Max. Dia. B	Clear Hole Dia. C	Skirt I.D. D	Overall Ht. E	Lbs.
<b>8"</b>	A0717-188	64	Lay-in	Steel	Cast Iron	9.0"	9.9"	8.0"	8.4"	9.0"	11.5
	A0717-008	48	Lay-in	Poly	Cast Iron	9.0"	9.9"	8.0"	8.1"	13.0"	10.6
	A0717-108	48	Lay-in	Steel	Cast Iron	9.0"	9.9"	8.0"	8.4"	13.0"	12.6
<b>12"</b>	<b>*A0717-128</b>	36	Lay-in	Steel	Cast Iron	12.4"	13.8"	11.3"	12.0"	9.0"	21.8
	<b>*A0717-022</b>	27	Lay-in	Poly	Cast Iron	12.4"	13.8"	11.3"	12.0"	12.0"	18.0
	A0717-022B	27	Bolt-down	Poly	Cast Iron	12.4"	13.8"	9.4"	12.0"	12.0"	23.0
	<b>*A0717-122</b>	27	Lay-in	Steel	Cast Iron	12.4"	13.8"	11.3"	12.0"	12.0"	25.3
	A0717-122B	27	Bolt-down	Steel	Cast Iron	12.4"	13.8"	9.4"	12.0"	12.0"	28.8
	A0717-122FG	27	Lay-in, w/finger hole	Steel	Cast Iron	12.4"	13.8"	11.3"	12.0"	12.0"	26.0
	567177		Lid Only		Cast Iron	12.4"					10.0
<b>18"</b>	<b>*A0717-018</b>	15	Lay-in	Steel	Cast Iron	17.0"	17.8"	16.0"	16.6"	12.0"	51.0
	A0717-018A	10	Lay-in	Steel	Cast Iron	17.0"	17.8"	16.0"	16.6"	19.0"	58.1
	A0717-018B	15	Bolt-down	Steel	Cast Iron	17.0"	17.2"	14.1"	16.9"	12.0"	56.3
	567715X		Lid Only Lay-in**		Cast Iron	17.3"					26.5
	570893L		Lid Only Lay-in***		Cast Iron	17.0"					22.9
	570893B		Lid Only Bolt-down		Cast Iron	17.0"					
<b>24"</b>	A0717-024		Lay-in	Steel	3/8" Steel	23.6"	24.5"	21.6"	23.0"	13.0"	88.0
	A0717-024A		Lay-in	Steel	3/8" Steel	23.6"	24.5"	21.6"	23.0"	19.0"	98.0
	A0717-024CD		Cam Lock w/D-Seal	Steel	3/8" Steel	23.6"	24.5"	21.6"	23.0"	13.0"	90.0
	A0717-024CDA		Cam Lock w/D-Seal	Steel	3/8" Steel	23.6"	24.5"	21.6"	23.0"	19.0"	101.0
	A0717-124		Bolt-down	Steel	3/8" Steel	23.6"	24.5"	21.6"	23.0"	13.0"	90.0
	A0717-124B		Bolt-down	Steel	3/8" Steel	23.6"	24.5"	21.6"	23.0"	19.0"	100.0
<b>30"</b>	A0717-030		Lay-in	Steel	3/8" Steel	29.6"	30.5"	27.6"	29.0"	13.0"	125.0
	A0717-030B		Bolt-down	Steel	3/8" Steel	29.6"	30.5"	27.6"	29.0"	13.0"	127.0
	A0717-030CD		Cam Lock w/D-Seal	Steel	3/8" Steel	29.6"	30.5"	27.6"	29.0"	13.0"	128.0
<b>36"</b>	A0717-036		Lay-in	Steel	1/2" Steel	35.6"	36.5"	33.6"	35.0"	13.0"	206.0
	A0717-036B		Bolt-down	Steel	1/2" Steel	35.6"	36.5"	33.6"	35.0"	13.0"	208.0
	<b>*A0717-136</b>		Lay-in	Steel	3/8" Steel	35.6"	36.5"	33.6"	35.0"	13.0"	189.0
	A0717-136B		Bolt-down	Steel	3/8" Steel	35.6"	36.5"	33.6"	35.0"	13.0"	191.0
<b>37"</b>	A0717-037CD		Cam Lock w/D-Seal	Steel	3/8" Steel	37.0"	37.9"	35.0"	35.0"	13.0"	203.0
	A0717-037CDA		Cam Lock w/D-Seal	Steel	3/8" Steel	37.0"	37.9"	35.0"	35.0"	19.0"	218.0
<b>38"</b>	A0717-038		Lay-in	Steel	1/2" Steel	39.6"	40.5"	37.6"	39.0"	13.0"	270.0
	A0717-038B		Bolt-down	Steel	1/2" Steel	39.6"	40.5"	37.6"	39.0"	13.0"	272.0
	<b>*A0717-038C</b>		Lay-in	Steel	3/8" Steel	39.6"	40.5"	37.6"	39.0"	13.0"	225.0
	A0717-038CB		Bolt-down	Steel	3/8" Steel	39.6"	40.5"	37.6"	39.0"	13.0"	227.0
<b>42"</b>	A0717-042A		Lay-in	Steel	1/2" Steel	44.1"	45.0"	42.1"	43.5"	13.0"	324.0
	A0717-042AB		Lay-in	Steel	1/2" Steel	44.1"	45.0"	42.1"	43.5"	19.0"	341.5
	A0717-042B		Bolt-down	Steel	1/2" Steel	44.1"	45.0"	42.1"	43.5"	13.0"	326.0
	A0717-042CD		Cam Lock w/D-Seal	Steel	3/8" Steel	44.1"	45.0"	42.1"	43.5"	13.0"	327.0
	A0717-042CDA		Cam Lock w/D-Seal	Steel	3/8" Steel	44.1"	45.0"	42.1"	43.5"	18.0"	344.5
	A0717-042D		Lay-in	Steel	3/8" Steel	44.1"	45.0"	42.1"	43.5"	13.0"	268.5
<b>48"</b>	A0717-048		Lay-in	Steel	1/2" Steel	47.1"	48.0"	45.1"	46.5"	13.0"	362.0
	A0717-048CD		Cam Lock w/D-Seal	Steel	3/8" Steel	47.1"	48.0"	45.1"	46.5"	13.0"	365.0
	A0717-148		Lay-in	Steel	3/8" Steel	47.1"	48.0"	45.1"	46.5"	13.0"	301.0

\*Most common variant

\*\*Old Style

\*\*\*>05/14