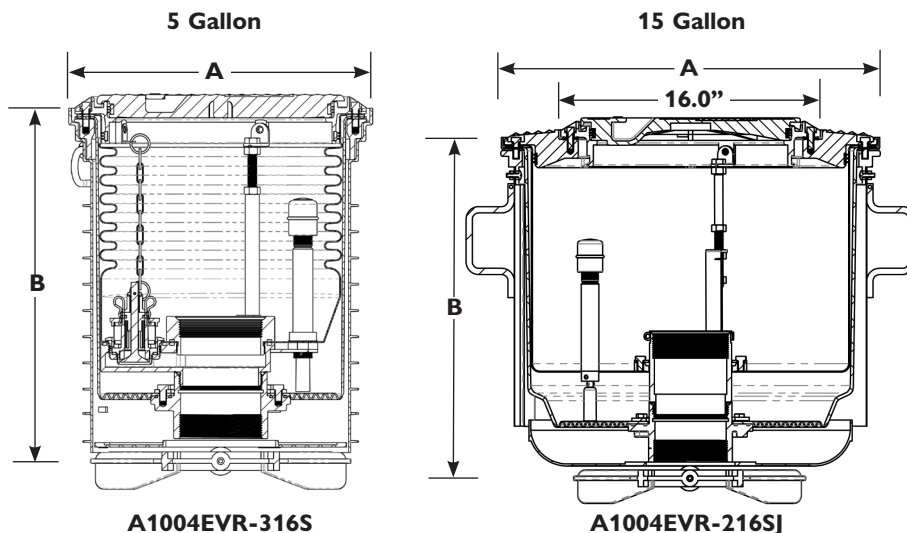


Phase I Enhanced Vapor Recovery System

A1004EVR Direct Bury Spill Containment

Replaceable

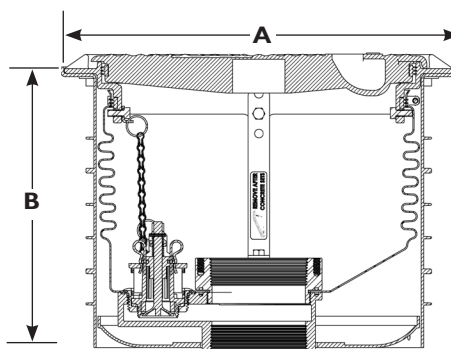
- Nominal capacity of 5 or 15 US gallons
- 4-inch NPT thread connection, requires no face seal adapter
- Heavy duty, snow plow resistant, ductile iron rim and lid, exceeds DOT H-20 loading specifications
- Lid w/triple wiper seal
- Replaceable from grade level HDPE primary and secondary bellows
- Drain valve w/ filter option
- EZ-Gage or float sensor for interstitial monitoring of secondary containment
- HDPE or galvanized gravel guard
- HDPE gravel pan



Model No.	Description	Overall Dia. A	Installed Ht. B	Lid Dia.	Lid Lbs.	Total Lbs.	Drain Type
A1004EVR-316A	SW, 5 gal, 16" center	16.0"	15.0"	13.2"	15.9	66.0	Drain Valve
A1004EVR-317A	SW, 5 gal, 16" center	16.0"	15.0"	13.2"	15.9	63.0	None
A1004EVR-317AS	SW, 5 gal, 16" center SST Primary; Poly Secondary	16.0"	15.0"	13.2"	15.9	63.0	None
A1004EVR-216A	SW, 15 gal, SST	22.6"	18.9"	13.2"	15.9	126.0	None
A1004EVR-316S	DW, 5 gal, 16" center	16.0"	17.1"	13.2"	15.9	84.0	Drain Valve
A1004EVR-317S	DW, 5 gal, 16" center	16.0"	17.1"	13.2"	15.9	79.9	None
A1004EVR-317SS	DW, 5 gal, 16" center SST Primary; Poly Secondary	16.0"	17.1"	13.2"	15.9	79.9	None
A1004EVR-216SJ	DW, 15 gal, SST Primary, Poly Secondary	22.6"	19.0"	13.2"	15.9	151.0	None

Non-Replaceable

- Nominal capacity of 5 US gallons
- 4-inch NPT thread connection, requires no face seal adapter
- Heavy duty, snow plow resistant, ductile iron rim and lid, exceeds DOT H-20 loading specifications
- Lid w/triple wiper seal
- Non-replaceable from grade level HDPE primary bellows
- Drain valve w/filter option
- HDPE gravel guard
- HDPE gravel pan



Model No.	Description	Overall Dia. A	Installed Ht. B	Lid Dia.	Lid Lbs.	Total Lbs.	Drain Type
A1004EVR-010	Slimline, SW, 5 gal	17.6"	13.6"	15.3"	20.0	58.5	Drain Valve
A1004EVR-011	Slimline, SW, 5 gal	17.6"	13.6"	15.3"	20.0	57.9	Drain Plug

