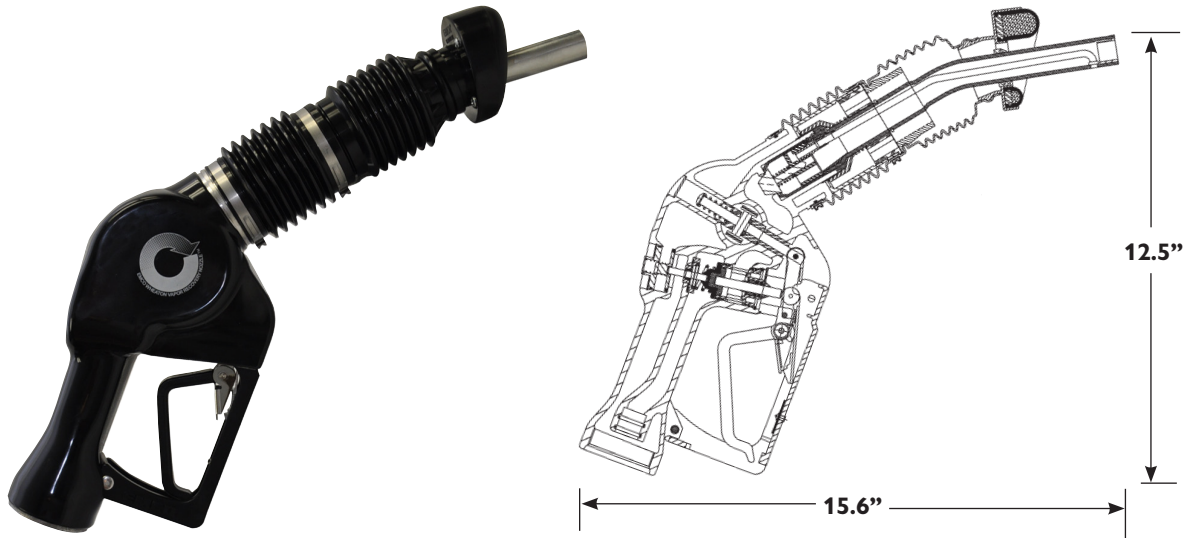


Balance Phase II EVR Components

A4005EVR Balance Vapor Recovery Nozzle



The A4005EVR Nozzle is designed for use with Balance Phase II Vapor Recovery Systems. Complies with the California Air Resources Board CARB Enhanced Vapor Recovery Program EVR Certification Procedures CP-201.

Material

Body & Spout: Aluminum
Lever & Guard: Thermoplastic
Seals: Nitrile & Viton®
Scuff Guard: Vinyl

Viton® is a registered trademark of The Chemours Company.

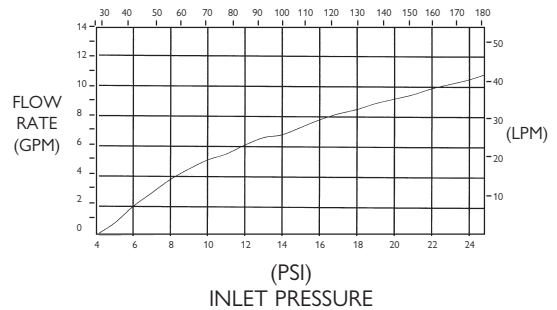


- CARB EVR Executive Orders VR-203, VR-204, VR-207, VR-208, VR-501
- CARB Pre-EVR Mix & Match Approval Letter #09-10/ Advisory #408
- California State Fire Marshall GVRC 005:007:025
- California Division of Measurement Standards 3211(d)-09
- UL Listing MH1460 Classified to UL 2586

Model No.	Description	Lbs.
A4005EVR-052	New Unleaded	4.5

Refer to page 94 for Phase II EVR repair and replacement kits and tools.

A4005EVR Flow Data (kPa)



A4110EVR Coaxial Hose Swivel

The A4110EVR 45° hose swivel provides a full range of movement to minimizing kinking and twisting of the coaxial curb hose during routine vehicle refueling. Complies with CARB CP-201 Enhanced Vapor Recovery EVR Program.

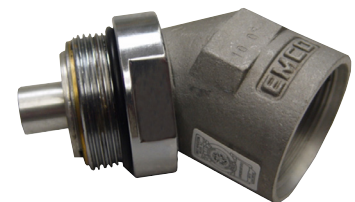
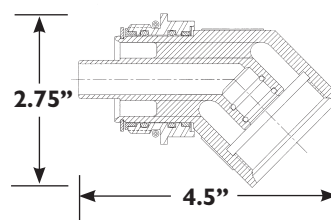
Model	Description	Lbs.
A4110EVR-001	Coaxial Hose Swive	1.3

Repair Kits & Replacement Parts

494748EVR Fuel Path O-ring Kit
494749EVR Vapor Path O-ring Kit

Material

Body: Cast Aluminum
Snap ring: Plated Steel
Swivel nut: Chrome Plated Brass



- CARB EVR Executive Orders VR-203, VR-204, VR-207, VR-208, VR-501
- UL Listed MH6036

Balance Phase II EVR Components

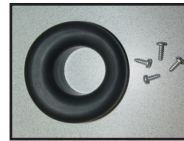
Repair Kits & Replacement Parts



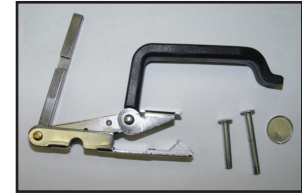
492775EVR
Bellows & Boot Face Kit



492834EVR
Spout Kit



492776EVR
Boot Face Kit



494150EVR
Latch Kit

A4005EVR Nozzle Repair Kits

Kit No.	Description	Lbs.
492775EVR	Bellows & Boot Face Kit	0.4
492776EVR	Boot Face Kit	0.2
492834EVR	Spout Kit	0.6
494150EVR	Latch Kit	0.5
494748EVR	Fuel Path O-ring Kit	
494750EVR	Bellows Band Clamp Kit	0.1
A0557EVR-002	Scuff Guard, Black	0.4

- CARB EVR Executive Orders VR-203, VR-204, VR-207, VR-208, VR-501
UL Listed MH036



A4110EVR Hose Swivel Repair Kits

Kit No.	Description
494748EVR	Fuel Path O-ring Kit
494749EVR	Vapor Path O-ring Kit

A4119EVR SafeBreak® Repair Kits

Kit No.	Description
494748EVR	Fuel Path O-ring Kit

A4005EVR Nozzle Required Service Tools

- 494655EVR Balance Phase II EVR Service Kit**
Includes all Phase II installation and maintenance tools and sturdy, canvas tool bag
- 494635EVR Spout Plug**
Use to conduct CARB test procedure TP-201.6 or TP-201.6C Liquid Removal Test
- 494652EVR Bellows Band Clamp Crimp Tool**
Use to install and crimp the A4005EVR nozzle bellows band clamps
- 494653EVR Lever Guard Rivet Installation Tool**
Use to install the A4005EVR nozzle lever guard rivets
- 494654EVR Lever Guard Rivet Removal Tool**
Use to remove the A4005EVR nozzle lever guard rivets
- 494712EVR Bellows Retainer Plate Tool**
Use to secure the A4005EVR nozzle bellows during installation of the bellows band clamps
- 494761EVR Balance Nozzle Adapter**
Use to test and verify the accuracy of the ISD vapor flow meter
- 494771EVR Surrogate Spout Assembly**
Use to conduct a leak tightness integrity test on the ISD vapor flow meter test assembly

