

Spill Containment

Spill Containment Accessories

A0028 Riser Lock

The Emco Wheaton A0028-001 Riser Lock is designed to lock the riser pipe in place when removing manholes or adapters. Can be used on 3" and 4" pipe.

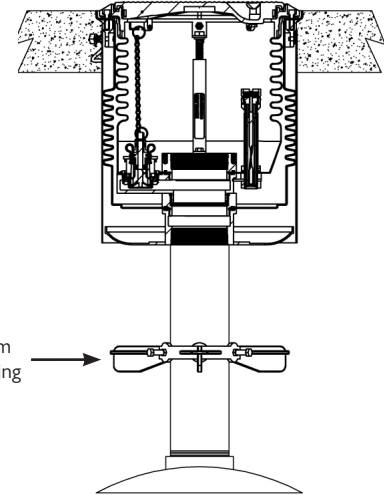
Model No.	Description	Lbs.
A0028-001	Standard	5.4
A0028-001C	Glass-on, for NOV riser pipes	2.1



A0028-001



A0028-001C



Prevents riser pipe from backing out of tank fitting