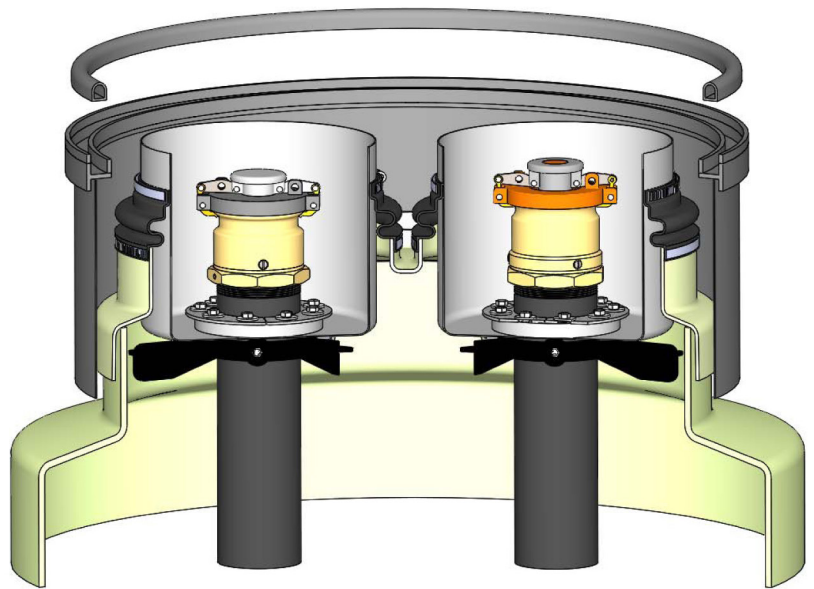
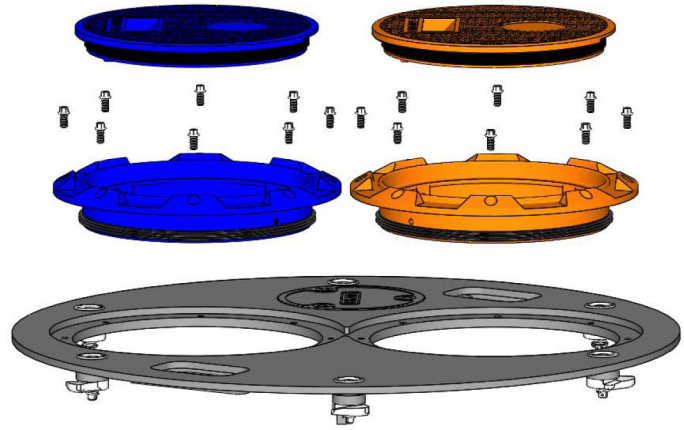


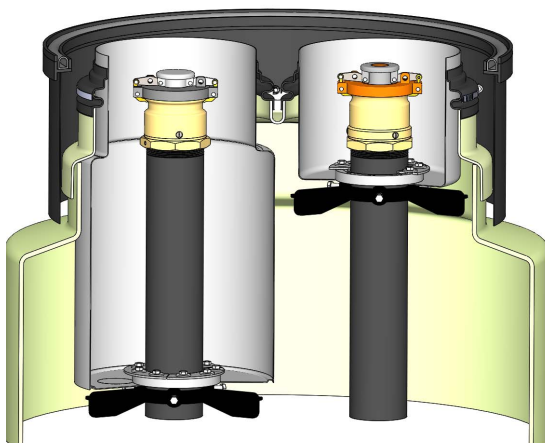
Spill Containment

Multi-Port General Purpose

- 36-inch steel diamond plate lid with 16-inch tank bung spacing
Optional diamond plate lid in light weight aluminum
- 6 cam-locks and dual lid handles for easy lock-down and removal
- 8-inch observation port w/ water-tight seals
- All mounting bolts non-corrosive stainless steel
- Manhole rim channel w/ D-seal for water tightness integrity between lid and rim
- Manhole available w/ 12-inch or 18-inch galvanized skirt
- Nominal spill container capacity of 5 US gallons
- Stainless steel spill container w/4-inch slip-on connection
- Powder coated, heavy duty, cast iron lid and ductile iron plow ring, exceeds DOT H-20 loading
Optional lid in composite material
- Lid w/ triple wiper seal
- Compatible with most water shrouds
- Includes shroud seal



A1008-036B5

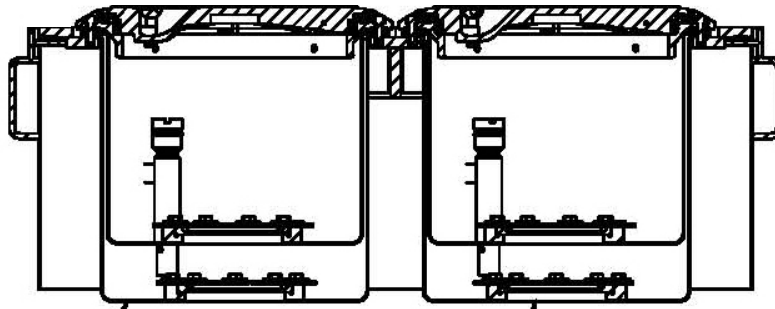


A1008-036B1

Model No.	Description	Spill Container #1	Drain Type	Spill Container #2	Drain Type
A1008-036B1	36" Multi-Port MH, 12" Skirt	SW, SST, 15 gal Fill Cap & Adapter	No Drain	SW, SST, 5 gal Vapor Cap & Adapter	No Drain
A1008-036B5	36" Multi-Port MH, 12" Skirt	SW, SST, 5 gal Fill Cap & Adapter	No Drain	SW, SST, 5 gal Vapor Cap & Adapter	No Drain

Custom configurations are available upon request

A1008 Multi-Port Retrofit Data Sheet



Spill Containment #1:

Capacity _____

- Single Wall Drain
 Double Wall No Drain

Primary:

- Poly
 Stainless

Secondary:

- Poly
 Stainless

Spill Containment #2:

Capacity _____

- Single Wall Drain
 Double Wall No Drain

Primary:

- Poly
 Stainless

Secondary:

- Poly
 Stainless

New Install

Retrofit* Manufacturer _____

Lay-in

Bolt-down Bolt Size _____ # _____

Cam-lock

Access Port Handles _____ Lid Thickness _____

**For retrofit applications, complete Emco's A1005-505 Stainless Steel Retrofit Data Sheet
(Available at www.emcoretail.com or call Customer Service, 800-234-4394).*

Also, please **attach photos:**

*Top view with lid, top view without lid, and any unique features
Top view of containment manhole with lid removed*

**Return this completed form & photos to:
Emco Customer Service Department
Fax (252-243-4603)
Email (webmaster@emcoretail.com)**

Contact Name _____

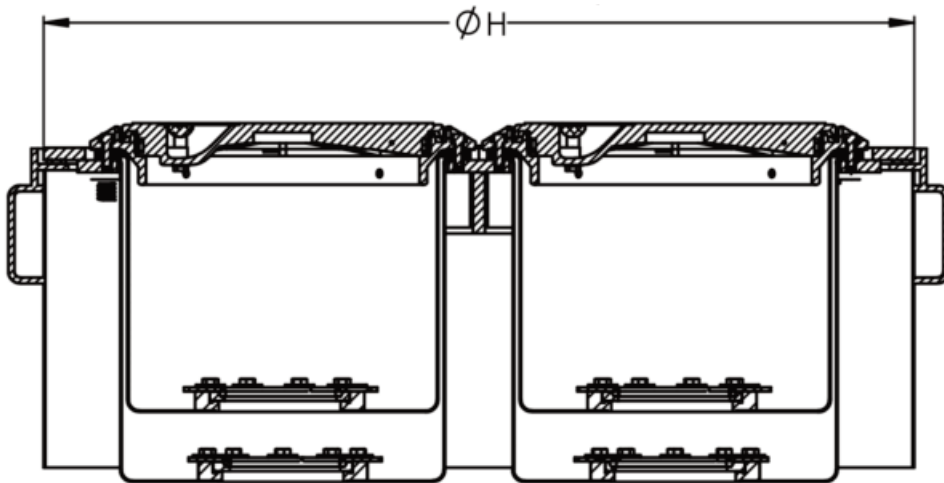
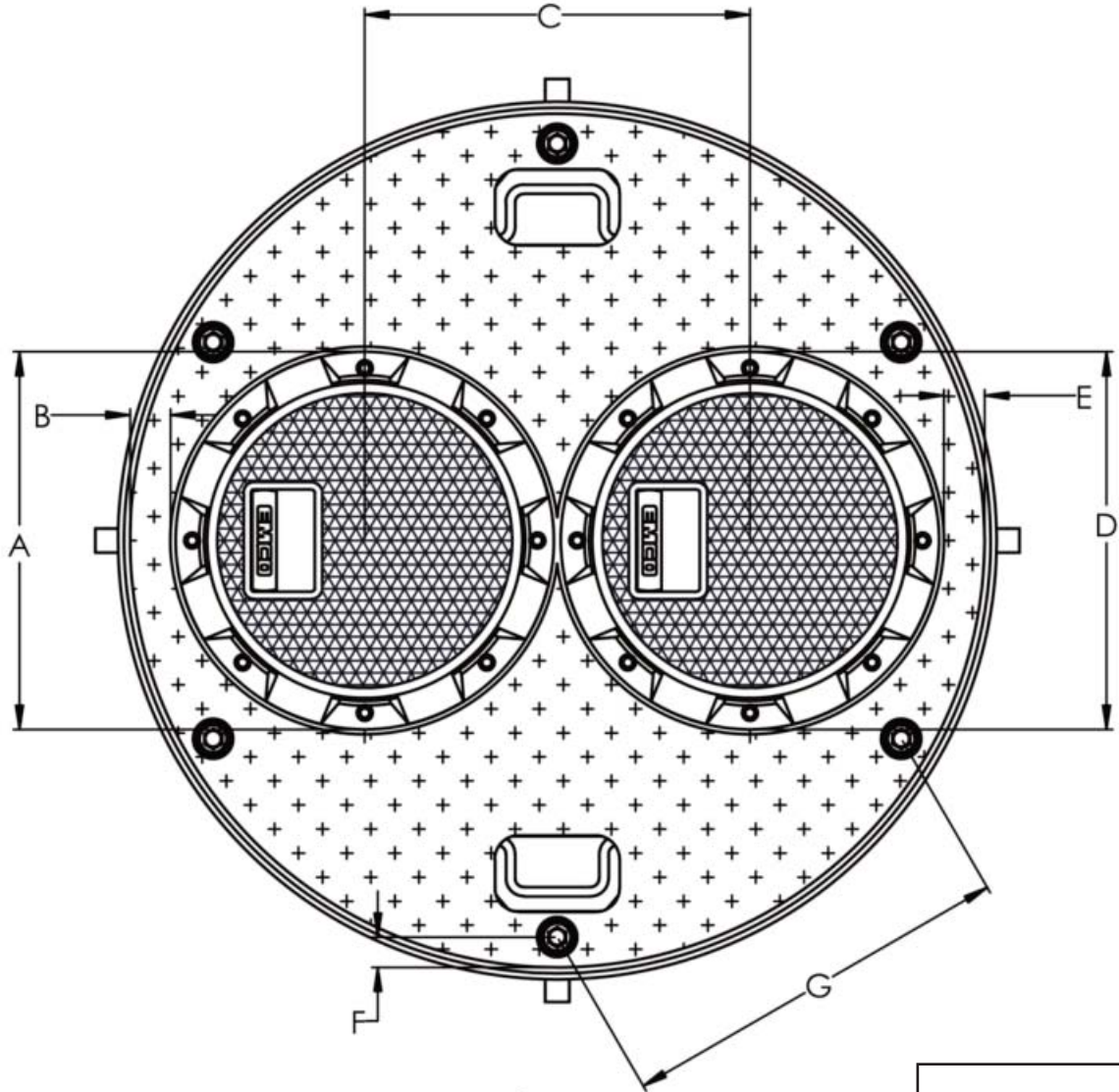
Contact Phone # _____

Site Location _____

Tank ID _____

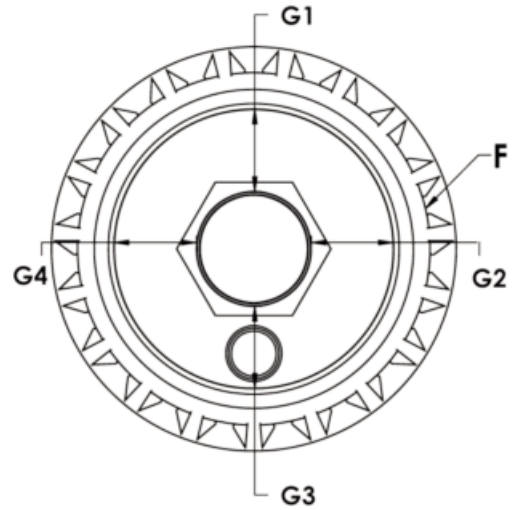
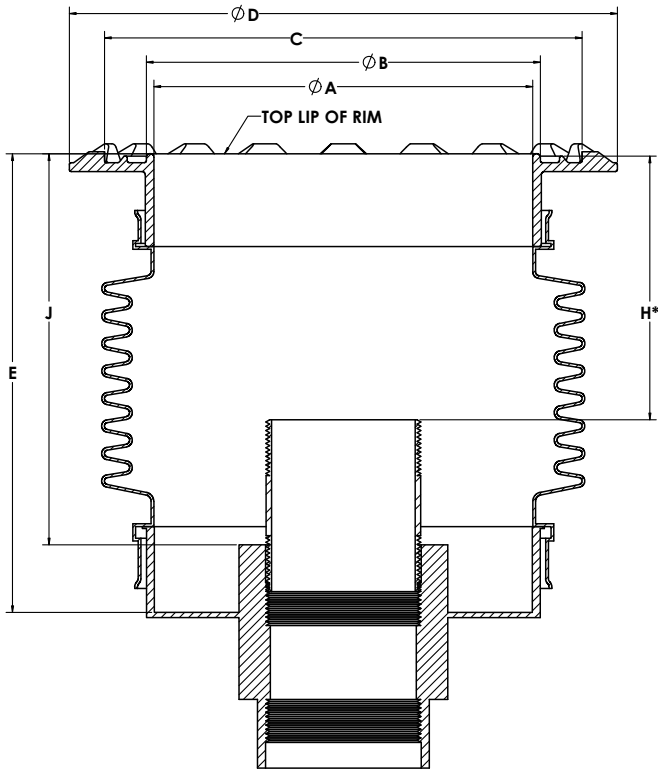
Additional Comments: _____

A1008 Multi-Port Retrofit Data Sheet



A =	_____
B =	_____
C =	_____
D =	_____
E =	_____
F =	_____
G =	_____
H =	_____

A1005-505C Stainless Steel Retrofit Data Sheet



F - Number of protrusions on rim
 G1-G4 - Inside of spill bucket wall to ID of riser, nipple or adapter

H - ***Slip-on buckets only**; Depth from top lip of rim to top of riser. If a coupling is present, add a note in comment section below and provide height to top of coupling.

- A - Smallest inside diameter of spill bucket
- B - Outside lip diameter at top lip of rim (rain lip)
- C - Inside diameter of plow ring
- D - Outside diameter of rim
- E - Depth from top lip of rim to bottom of bucket (measure highest point)
- Remove debris from bottom of bucket before measuring.**
- J - Depth to shallowest object in the bottom of the spill bucket.

Return this completed form & photos to:
 Emco Customer Service Department
 Fax (252-243-4603)
 Email (sales@emcoretail.com)

A = _____	F = _____
B = _____	G1 = _____
C = _____	G2 = _____
D = _____	G3 = _____
E = _____	G4 = _____
J = _____	H* = _____

Manufacturer:

- EBW Emco OPW
- Pemco Pomeco Universal
- Other _____

Model # _____ **Existing Drain?** Yes No

Drain required in stainless steel insert? Yes No

Is the existing bucket **slip-on** _____ or **thread-on** _____?

Is the existing OPV **coaxial** _____?

Contact Name _____

Contact Phone # _____

Site Location _____

Tank ID _____

Attach photos:

- Top view with lid
- Top view without lid
- Any unique features

Additional Comments: _____

