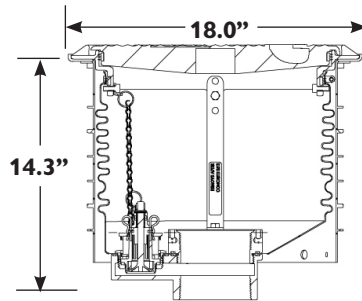


Non-Replaceable Single Wall

Poly (HDPE)

- Grade level spill containment, 5 gallon capacity
- Heavy duty, snow plow resistant cast iron, powder coated plow rim
- HDPE bellows and skirt
- 4 inch NPT or BSPT thread
- Powder coated, water-resistant cast iron or composite lid with built-in handle, exclusive triple wiper seal and vent valve. Meets AASHTO H20 wheel loading

Slimline



Screw-on



- CARB Phase I EVR Executive Order VR-105
ULC Listed MH21149
Florida DEP #EQ-524

Model No.	Description
* A1004-010	Cast iron lid, drain
A1004-011	Cast iron lid, drain plug
A1004-012	Cast iron lid, drain, BSPT
* A1004EVR-010	Cast iron lid, drain, EVR
A1004EVR-011	Cast iron lid, drain plug, EVR
A1004EVR-012	Cast iron lid, drain, BSPT, EVR

*Most common variant