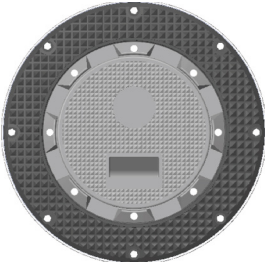
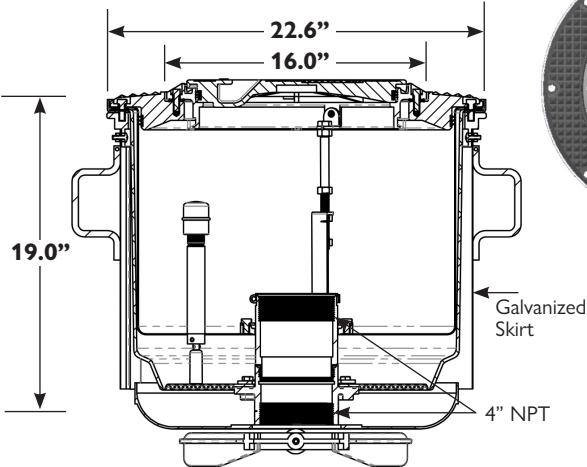


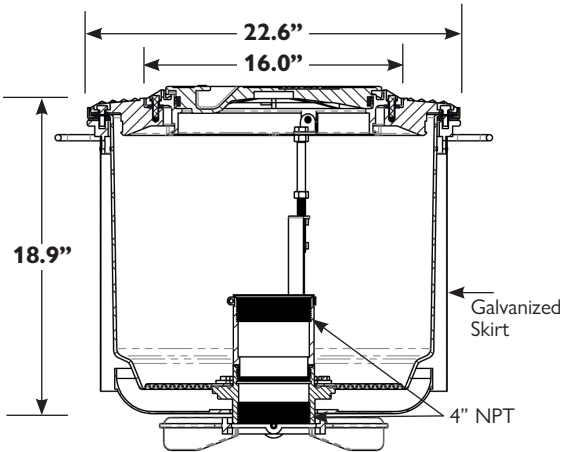
Spill Containment

Replaceable Stainless Steel/Poly

Double Wall



Single Wall



**Screw-on
15 Gallon**



**Screw-on
15 Gallon**

| Model No. | Description |
|-------------------|--|
| A1004EVR-216SJ | DW SST primary, poly secondary, no drain, gauge |
| A1004EVR-216SJ-CM | DW SST primary, poly secondary, no drain, sensor |

| Model No. | Description |
|---------------|-------------------|
| A1004EVR-216A | SW poly, no drain |