

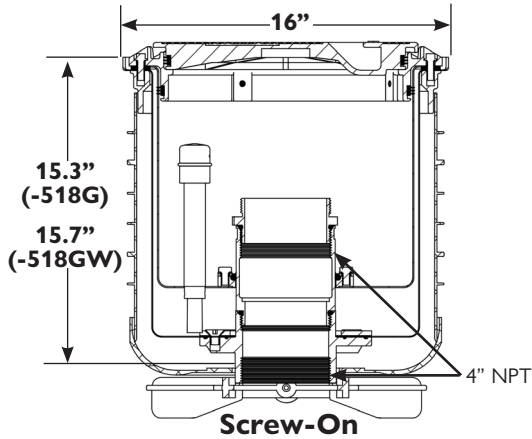
Spill Containment

Replaceable

Stainless Steel

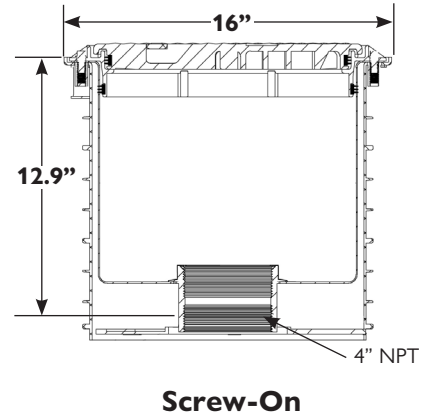
Evolution

Double Wall Stainless Steel Primary & Secondary

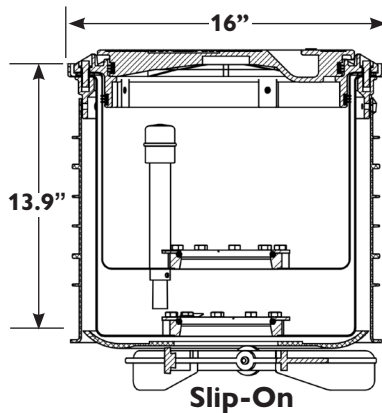


Model No.	Description
A1005-518G	DW stainless steel, cast iron secondary base, female 4" fitting, male coupling, gauge, cast iron rim & lid
A1005-518GW	DW all stainless steel, welded base, stainless steel female 4" fitting, male coupling, gauge, stainless steel rim/composite lid

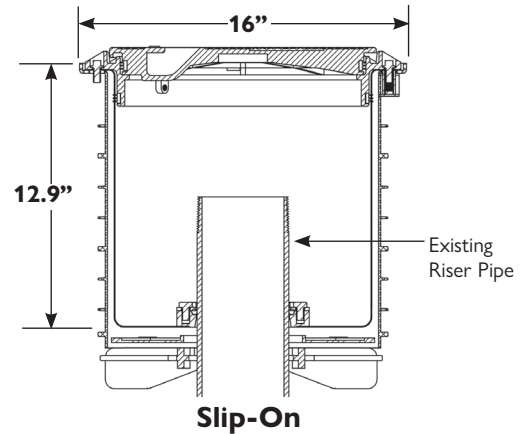
Single Wall Stainless Steel



Model No.	Description
A1005-518A	SW stainless steel, welded base, cast iron rim & lid
A1005-518AW	SW all stainless steel, welded base, stainless steel rim/composite lid
A1005-518AW-DEF	SW all stainless steel, welded base, blue stainless steel rim/composite lid w/DEF ID tag



Model No.	Description
A1005-517G	DW stainless steel, gauge, cast iron rim & lid
A1005-517GW	DW all stainless steel, gauge, stainless steel rim/composite lid
A1005-517S-CM	DW stainless steel, sensor, cast iron rim & lid

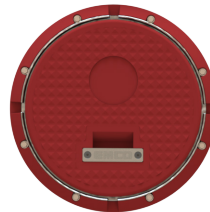


Model No.	Description
A1005-517A	SW stainless steel, cast iron rim & lid
A1005-517AW	SW all stainless steel, stainless steel rim & composite lid
A1005-517AW-DEF	SW all stainless steel, blue stainless steel rim/ composite lid w/DEF ID tag

Lid & Rim Options
Available powder coated to API color specifications



Cast Iron Rim & Lid



Stainless Steel Rim
Composite Lid

■ ULC Listed MH21149
Florida DEP #EQ-524

Spill Containment

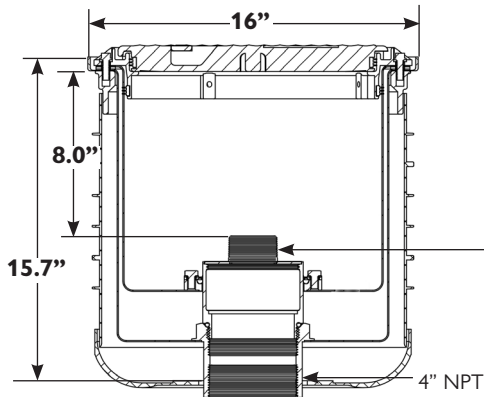
Special Applications

Stainless Steel

Evolution

DEF

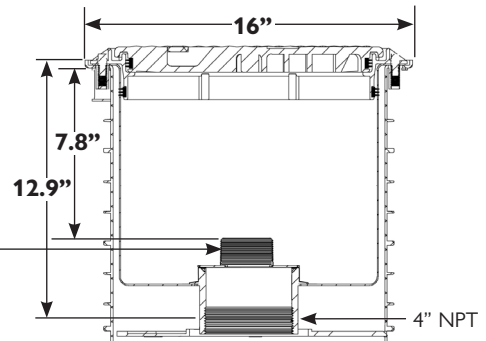
Replaceable Double Wall Stainless Steel



Screw-On

Model No.	Description
A1005-518GW2DEF	DW all stainless steel, welded base, stainless steel 4" female to 2" male NPT fitting, blue stainless steel rim/composite lid w/DEF ID tag
A1005-518GW2FDEF	DW all stainless steel, welded base, stainless steel 4" female to 2" female NPT fitting, blue stainless steel rim/composite lid w/DEF ID tag

Replaceable Single Wall Stainless Steel

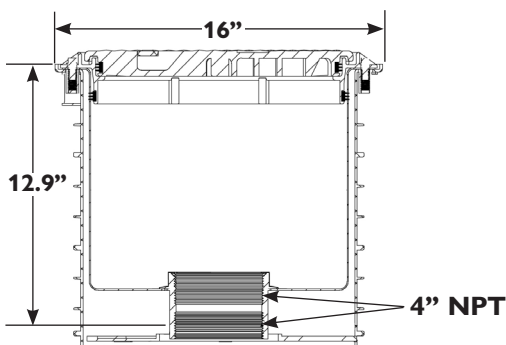


Screw-On

Model No.	Description
A1005-518AW2DEF	SW all stainless steel, welded base, blue stainless steel rim/composite lid w/DEF ID tag

■ ULC Listed MH21149
Florida DEP EQ-524

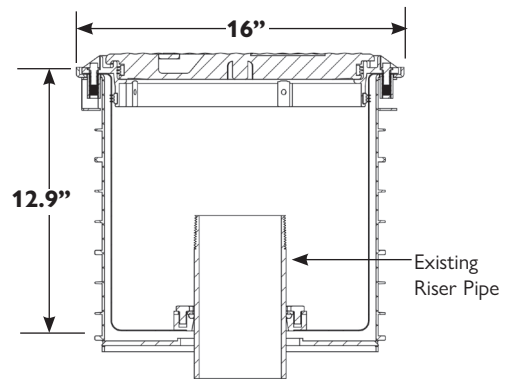
Replaceable Single Wall Stainless Steel



Screw-On

Model No.	Description
A1005-518AW-DEF	SW all stainless steel, welded base, blue stainless steel rim/composite lid w/DEF ID tag

Replaceable Single Wall Stainless Steel



Slip-On

Model No.	Description
A1005-517AW-DEF	SW all stainless steel, blue stainless steel rim/composite lid w/DEF ID tag

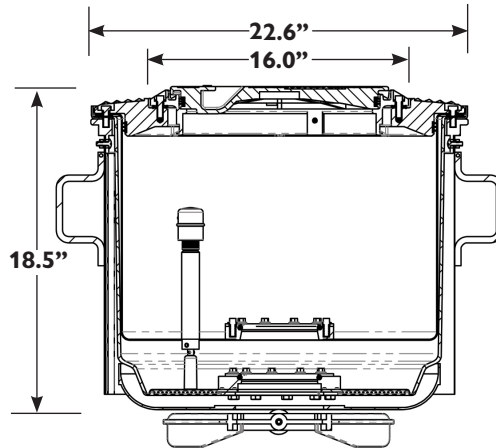
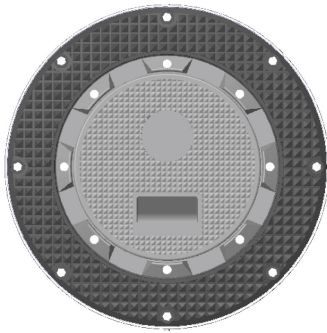
Spill Containment

Special Applications

Stainless Steel/Poly

Evolution

Replaceable
Stainless Steel



**15 Gallon, Double Wall
SST Primary, Poly Secondary**

Model No.	Description
A1005-616RD	SST Primary/Poly Secondary, no drain, 16" cast iron rim & lid, 22" to 16" cast iron rim adapter, gauge, riser lock

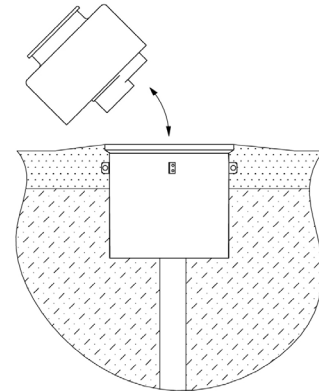
Replaceable
Below Grade Stainless Steel



Replaceable from above ground

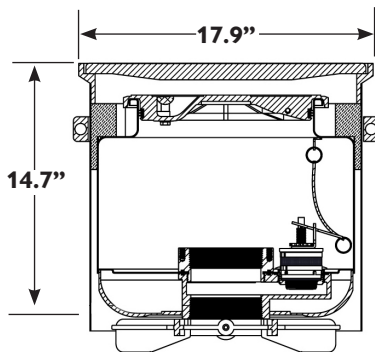
Grade level lid also available in cast iron

Optional locking mechanism for below grade lid

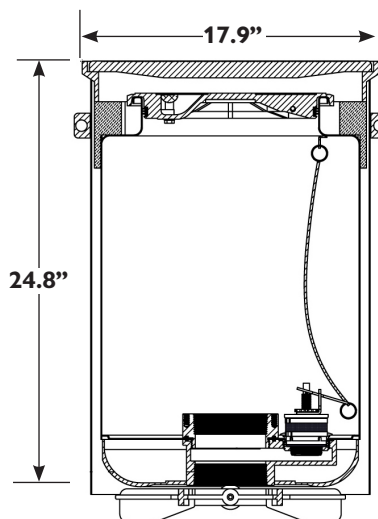


■ ULC Listed MH21149

**Screw-On
5 Gallon**



**Screw-On
15 Gallon**



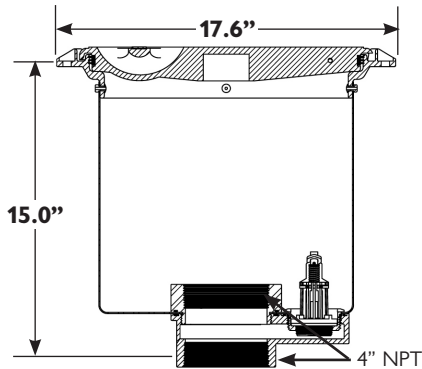
Model No.	Description
A1005-905	Composite grade level lid, cast iron below grade lid, drain plug
A1005-905D	Composite grade level lid, cast iron below grade lid, drain
A1005-915	Composite grade level lid, cast iron below grade lid, drain plug
A1005-915D	Composite grade level lid, cast iron below grade lid, drain

Spill Containment

Special Applications

Stainless Steel

Non-Replaceable Stainless Steel



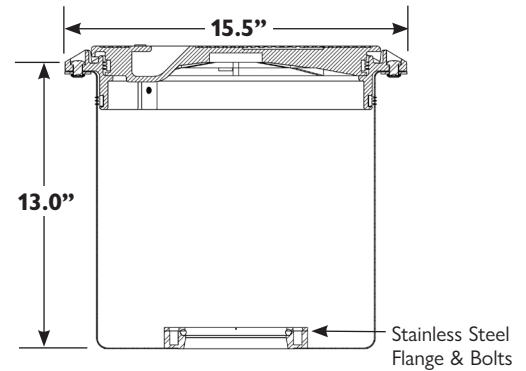
Screw-On

Model No.	Description
A1005-501T	Cast iron rim & lid, drain
A1005-501TC	Cast iron rim/composite lid, drain
A1005-501TN	Cast iron rim & lid
A1005-501TNC	Cast iron rim/composite lid

To order with an A0333-004 Hand Pump (p. 64), add a "P" to the end of the variant number.

■ ULC Listed MH21149
Florida DEP #EQ-524

Non-Replaceable Stainless Steel

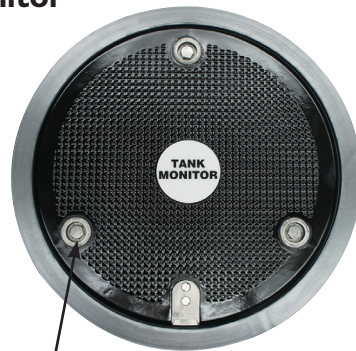


Slip-On

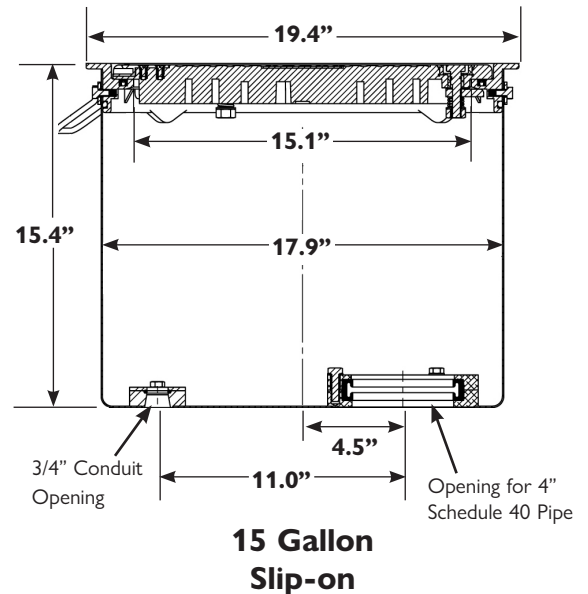
Model No.	Description
A1005-517	Cast iron lid, 4" riser pipe
A1005-517-3	Cast iron lid, 3" riser pipe
A1005-517-C	Composite lid, 4" riser pipe

Non-Replaceable Stainless Steel for Tank Monitor

- 4.5" Offset Pipe Entry for Tank Monitor
- 16 gauge stainless steel containment will not rust
- Stainless steel bolts and Nitrile seals on bottom flange
- Water-resistant composite lid and Nitrile seal, meets AASHTO H20 load rating



Cam-lock fittings etched to show open and close directional arrows



15 Gallon Slip-on

Model No.	Description	Application	Lid Dia.	Lid Lbs.	Total Lbs.
*A1005-015TMF	Composite lid, 15 gal	4" riser, 4.5" offset, 3/4" conduit opening	17.0"	11.6	51.4
A1005-015TMFP	Composite lid, 15 gal	4" riser, 4.5" offset, 3/4" conduit plugged	17.0"	11.6	

*Most common variant