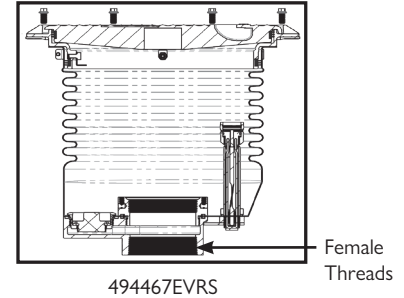
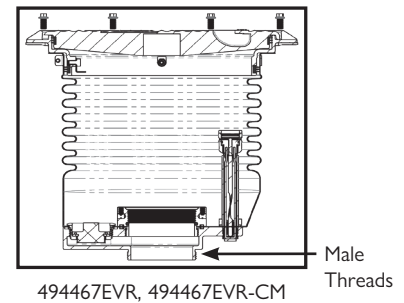
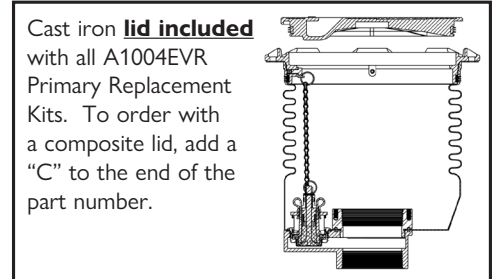


Spill Containment

Replacement Parts

Replacement Kits and Parts - A1004 Replaceable

Model No.	Description	Lbs.
<u>A1004EVR-210</u>	<u>5 Gal Poly</u>	
494360EVR	Primary Replacement Kit (EVR-210A, SW/Drain)	64.0
494466EVR	Primary Replacement Kit (EVR-211A, SW/No Drain)	68.5
494466DEVR	Primary Replacement Kit (EVR-211AD, SW/Drain Plug)	68.5
494467EVR	Primary Replacement Kit (EVR-210S*, 211S, DW/Drain Plug) Refer to drawing at right	67.7
494467EVRS	Primary Replacement Kit (EVR-210S*, 211S, DW/Drain Plug) Refer to drawing at right	67.7
494467EVR-CM	Prmy Rplcmt Kit (EVR-210S-CM*, 211S-CM, DW/Drn Plug/Sensor) Refer to drawing at right	67.7
494993S	Primary/Secondary Replacement Kit (EVR-210S, DW/Drain)	
494993S-ND	Primary/Secondary Replacement Kit (EVR-210S, DW/No Drain)	
570226	Rim Gasket	
	*Drain must be purchased separately (kit p/n 494118) Refer to page 51 for stainless steel retrofit kits	
<u>A1004EVR-216</u>	<u>15 Gal EVR SST/Poly</u>	
494660EVR-S	Primary & Secondary Replacement Kit (EVR-216SJ, DW/No Drain)	133.0
495880	Kit Spacer 3/4", A1004EVR-215/216	
496026-1	Primary Replacement Kit (-216A, SW/No Drain, Non-EVR)	
569989	Flat Rim Gasket Ø15"	
570069	Flat Rim Gasket Ø22"	
573728	Rim Adapter Triple Wiper Seal	
<u>A1004EVR-316/317</u>	<u>5 Gal Poly, 16" Center</u>	
494797EVR	Primary Replacement Kit (EVR-316A, SW/Drain)	
494798EVR	Primary Replacement Kit (EVR-317A, SW/No Drain)	
494794EVR	Primary Replacement Kit (EVR-316S, DW/Drain)	53.5
494794EVR-CM	Primary Replacement Kit (EVR-316S-CM, DW/Drain/Sensor)	
494795EVR	Primary Replacement Kit (EVR-317S, DW/No Drain)	36.5
494795EVR-CM	Primary Replacement Kit (EVR-317S-CM, DW/No Drain/Sensor)	20.9
495696DWP	Secondary Replacement Kit (EVR-316S, -317S, DW)	
494888SS	Lid Handle Kit	0.5
569989	Rim Gasket	
570587	Rim Screw	
572819-025	Rim Spacer Kit, 1/4"	
572819-037	Rim Spacer Kit, 3/8"	
572819-050	Rim Spacer Kit, 1/2"	
572819-100	Rim Spacer Kit, 1"	
572819-100ALT	Rim Spacer Kit, 1" Multi-piece	
	Refer to page 51 for stainless steel retrofit kits	
<u>A1004EVR-317SS</u>	<u>5 Gal Stainless Steel/Poly, 16" Center</u>	
494836SS	Primary Rim Kit	
494795EVRSS	Primary Replacement Kit SST (EVR-317SS, DW/No Drain)	36.5
494795EVRSS-CM	Pmry Rplcmt Kit SST (EVR-317SS-CM, DW/No Drn/Sensor)	20.9
495558K	Flange/O-ring Kit	
495696EVO	Secondary Replacement Kit (EVR-317SS, DW)	



572819
Rim Spacer Kit



495558K
Flange/O-ring Kit A1004EVR-317SS

Spill Containment

Replacement Parts

Replacement Kits and Parts - A1005 Replaceable

Model No.	Description	Lbs.
A1005-517/518	5 Gal Stainless Steel	
494836SS	Rim Kit	
494845	O-ring Kit	
494897	Flange Seal, A1005-517GS	
494836	Primary Rim Kit (lid not included)	16.0
495075	Mounting Kit, Non-Eccentric Ring	1.0
495102	Mounting Kit, Eccentric Ring 2.0	
495104	Primary Replacement Kit, Stainless Slip-on A1005-517G/-517GS	
495229	Mounting Kit, A1005-517GS 3.8	
495370X	Primary Replacement Kit, (w/lid) A1005-518GP	
495370	Primary Replacement Kit, (w/o lid) A1005-518GP	
495524	Bellows Gasket Kit, A1005-518GP	
495644	Conversion Kit, A1005-518GP to A1004EVR-317SS	
496059	Secondary Replacement Kit, Stainless Slip-on A1005-517G/-517GS	
496113	Primary & Secondary Replacement Kit, Stainless/Stainless Slip-on A1005-517G/-517GS	
569989	Rim Gasket	
A1005-616	15 Gal Non-EVR SST/Poly	
496026-2	Primary & Secondary Non-EVR Replacement Kit	124.0
495880	Kit Spacer 3/4", A1004EVR-215/216	119.7
570069	Flat Rim Gasket Ø22"	117.5
569989	Flat Rim Gasket Ø15"	
573728	Rim Adapter Triple Wiper Seal	



494845
O-Ring Kit



495229
Mounting Kit



495102
Mounting Kit



495075
Mounting Kit

A1004/A1005 Non-Replaceable

Model No.	Description	Lbs.
A1004-010	5 Gal Slimline	
A1005-505CEW3	Stainless Steel Retrofit (refer to page 51)	26.0
A1005-001		
493855	Bellows Assembly 4"	1.4