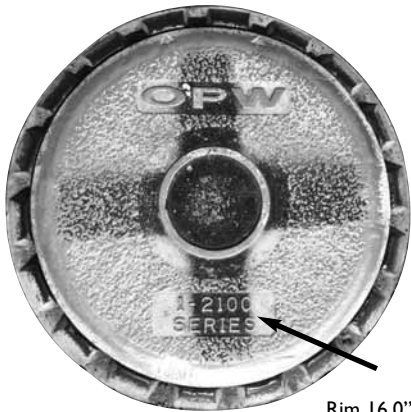


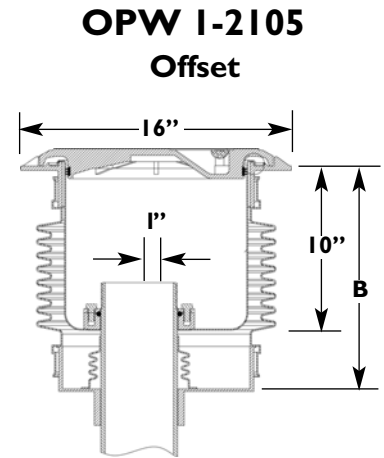
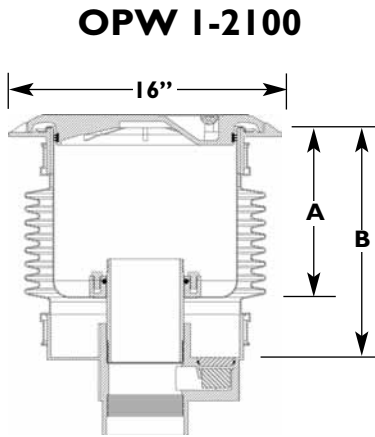
Spill Containment

Retrofit

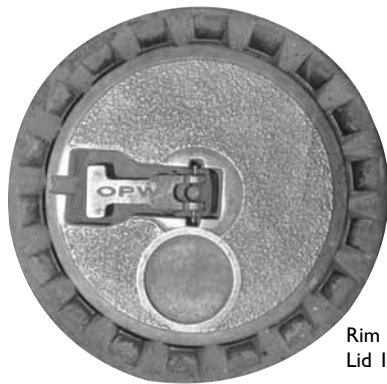
OPW Stainless Steel



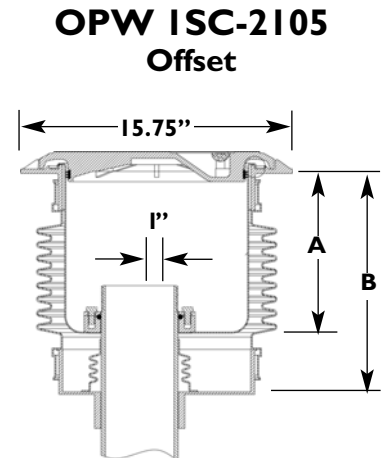
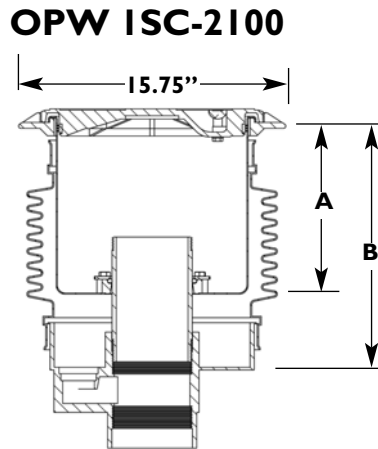
Rim 16.0"
Lid 13.75"



The I-2100 and I-2105 series are identified with "I-2100 Series" or "IC Series" printed on the lid. You must determine if the spill containment has a 1" offset and a rubber boot (right photo). This indicates that it is a I-2105 (slip-on) series, and will require a different retrofit kit than the I-2100 series. Refer to table below.



Rim 15.75"
Lid 12.5"



Model No.	Repairs OPW	A	Min. Ht. B	Lbs.
A1005-505C	I-2100 Series	10.0"	12.0"	31.0
A1005-505CDR	I-2100; Includes Drain	10.0"	12.0"	30.5
A1005-505CS	I-2100 Short	8.7"	10.8"	27.0
A1005-505CD	I-2100 Double Wall	10.0"	12.0"	34.0
A1005-505CZ	I-2100 Crooked Riser	10.0"	12.0"	30.0
A1005-505CZDR	" "; Includes Drain	10.0"	12.0"	30.0
A1005-505C5	I-2105 Offset	10.0"	12.0"	26.0
A1005-505CC	ISC-2100 Series	10.0"	12.0"	24.0
A1005-505CC5	ISC-2105 Offset	10.0"	12.0"	23.0

Drain Plug Kit	Description
A1005-505DP	Drain Plug Kit, I-2100/I-2105
A1005-505DPE	Drain Plug Kit w/Epoxy

Inserts without drains will require purchase of the proper drain plug kit for the existing spill container.