

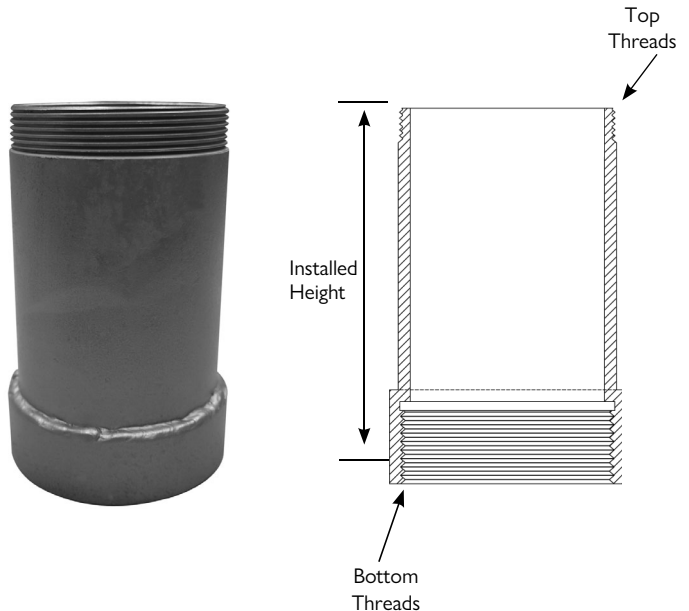
# Spill Containment

## Riser Extensions - One-Piece

The Emco Wheaton A0031 Riser Extensions and Adapters are designed to compensate for riser pipe variations and to accommodate spill containment retrofits. The riser extensions have 4" NPT top and bottom threads. The riser adapters have 4" NPSM top and 4" NPT bottom threads.

Part No.	Installed Height	Top Threads	Bottom Threads	Lbs.
<b>Riser Extensions</b>				
A0031-175	1.75"	4" NPT	4" NPT	2.7
A0031-250	2.50"	4" NPT	4" NPT	3.7
<b>Riser Adapters</b>				
A0031-450	4.50"	4" NPSM	4" NPT	4.1
A0031-625	6.25"	4" NPSM	4" NPT	4.4
A0031-625P	6.25"	4" NPSM	4" NPT	4.5
A0031-725	7.25"	4" NPSM	4" NPT	6.4
A0031-725P	7.25"	4" NPSM	4" NPT	6.5
A0031-825	8.25"	4" NPSM	4" NPT	7.9
A0031-825P	8.25"	4" NPSM	4" NPT	8.0
A0031-900	9.00"	4" NPSM	4" NPT	9.0

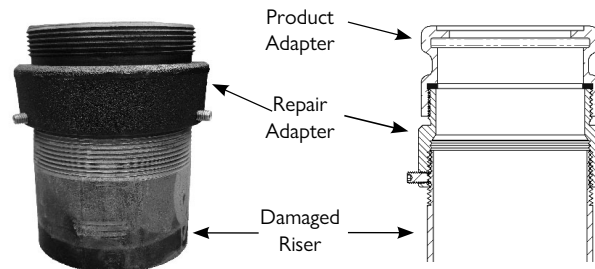
Variants with a "P" include a drain port



## Riser Repair Adapter

The Riser Repair Adapter installs on corroded/damaged 4" NPT threads to provide undamaged 4" NPSM threads for a product adapter. Three set screws hold the Repair Adapter onto the damaged pipe.

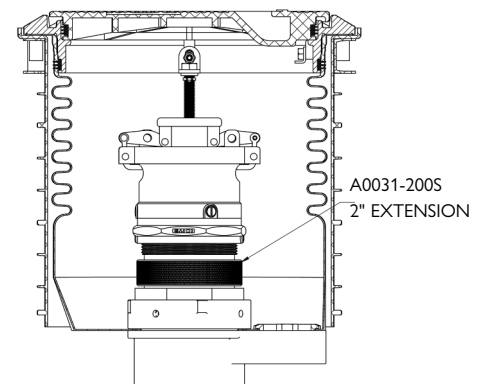
Part No.	Installed Height	Top Threads	Bottom Threads	Lbs.
A0031-250R	2.50"	4" NPSM	4" NPT	3.7



## Riser Adapter Extension - Stainless Steel

The Emco Wheaton A0031-200S Stainless Steel Riser Adapter Extension raises the adapter 2" closer to grade. The A0031-200S accommodates new and retrofit spill containment. The flat gasket seals against male thread of riser seal.

Part No.	Installed Height	Top Threads	Bottom Threads	Lbs.
A0031-200S	2.00"	4" NPSM	4" NPSM	1.7



## Riser Extensions - Two-Piece

### Pipe Nipples

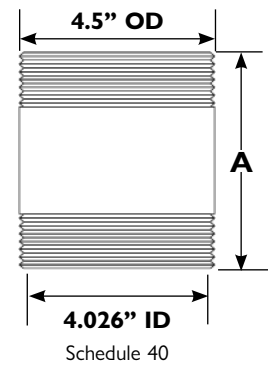
The Emco Wheaton A7901 Pipe Nipple is used in spill containment buckets to extend the fill pipe. The A7901 is available in schedule 40 pipe. The top and bottom threads are NPT.

The Schedule 40 nipples are made from flame controlled pipe with no internal weld bead and have a nominal ID of 4.026".



Model No.	Lbs.	Length A	Model No.	Lbs.	Length A
A7901-004C	1.6	3" (close)	A7901-016	12.8	16"
A7901-004CSS*	1.6	3" (close)	A7901-018	14.5	18"
A7901-004	2.5	4"	A7901-019	15.4	19"
A7901-005	3.4	5"	A7901-022	18.0	22"
A7901-006	4.2	6"	A7901-024	19.7	24"
A7901-007	5.1	7"	A7901-026	21.4	26"
A7901-008	5.9	8"	A7901-028	23.1	28"
A7901-010	7.7	10"	A7901-030	24.9	30"
A7901-012	9.4	12"	A7901-032	26.6	32"
A7901-014	11.1	14"	A7901-034	28.3	34"
A7901-015	12.0	15"	A7901-036	30.0	36"

\*Stainless Steel



**4.173" ID**

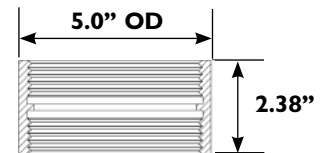
\*Stainless Steel Pipe

### Pipe Couplings

The Emco Wheaton A7904-500 and A7904-004 Pipe Couplings convert a male riser pipe to a female, allowing for an extension nipple. The A7904-500 adds only 1/4" to the original riser.



**A7904-500  
Short Pipe  
Coupling**



Model No.	Height	Lbs.
A7904-500	2.38"	2.9
A7904-004	3.50"	4.5



**A7904-004  
Merchant  
Steel Coupling**

