

Spill Containment

Special Applications

Remote Fill Vault

Above Ground Remote Fill Containment Sump, DW, 1 Fill

Double wall spill containment

All stainless steel construction

Keeps your spill containers above ground

Available with 2" or 3" stainless steel piping for attachment to fill adapter and piping- NPT threads for DEF

Adjustable leg height (from 2 ft. to 4 ft.) positions the spill container at grade level for installation of piping and backfilling

Removable stainless steel skirt for ease of installation

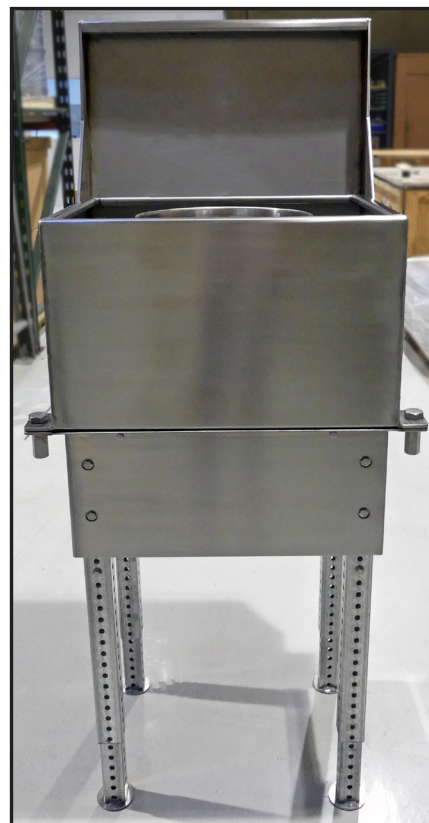
Hinged lid for easy access

Available options:
Lockable lid

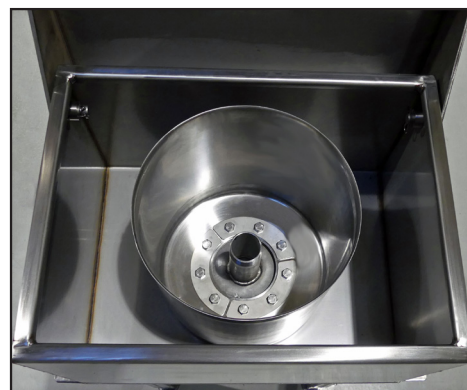
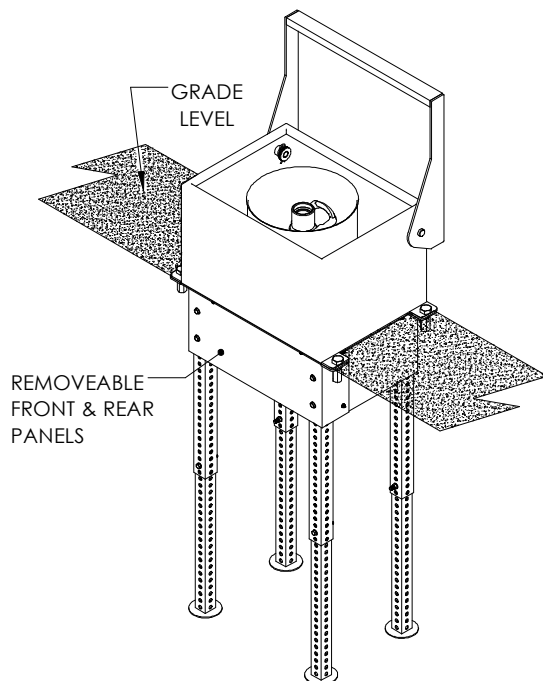
A1005-761-DEF2
Above Ground
Remote Fill
Containment Sump
1 Fill, 2" Piping

Model No.	Description
A1005-761-DEF2	Above Ground Remote Fill Containment Sump, 1 Fill, 2" Piping
A1005-761-DEF3	Above Ground Remote Fill Containment Sump, 1 Fill, 3" Piping

Custom configurations are available upon request



Front View



Top View