

Spill Containment

Special Applications

Remote Fill

- Creates true double wall containment from spill bucket to the piping run
- Assembly comes complete with stub, ready for installation into the elbow and clamshell 3" or 4" double wall Dualoy® 3000/LCX OR 3" or 4" single wall Red Thread®
- Water-resistant cast iron lid with built-in handle, exclusive triple wiper seal and vent valve. Meets H20 load rating
- Includes EZ-Gage for instant monitoring of interstitial space



■ ULC Listed MH21149

Available options:

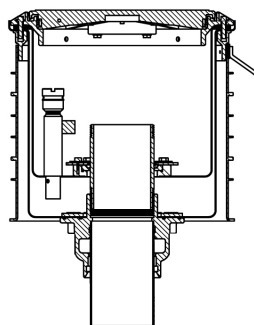
- Composite lid and stainless steel rim
- Lid and rim available powder coated to API color specifications (see below)
- Drain
- Electronic sensors
- 3" or 4" pipe
- 5 or 15 gallon capacity

Painted Lids - API Product Codes

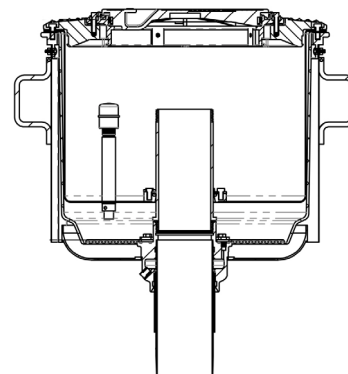
Add to the end of the variant number:

- D Yellow ULSD
- R White Regular
- U Red Premium
- V Orange Vapor
- E Bronze E85

Contact Customer Service at 800-234-4394 for additional colors



5 Gallon



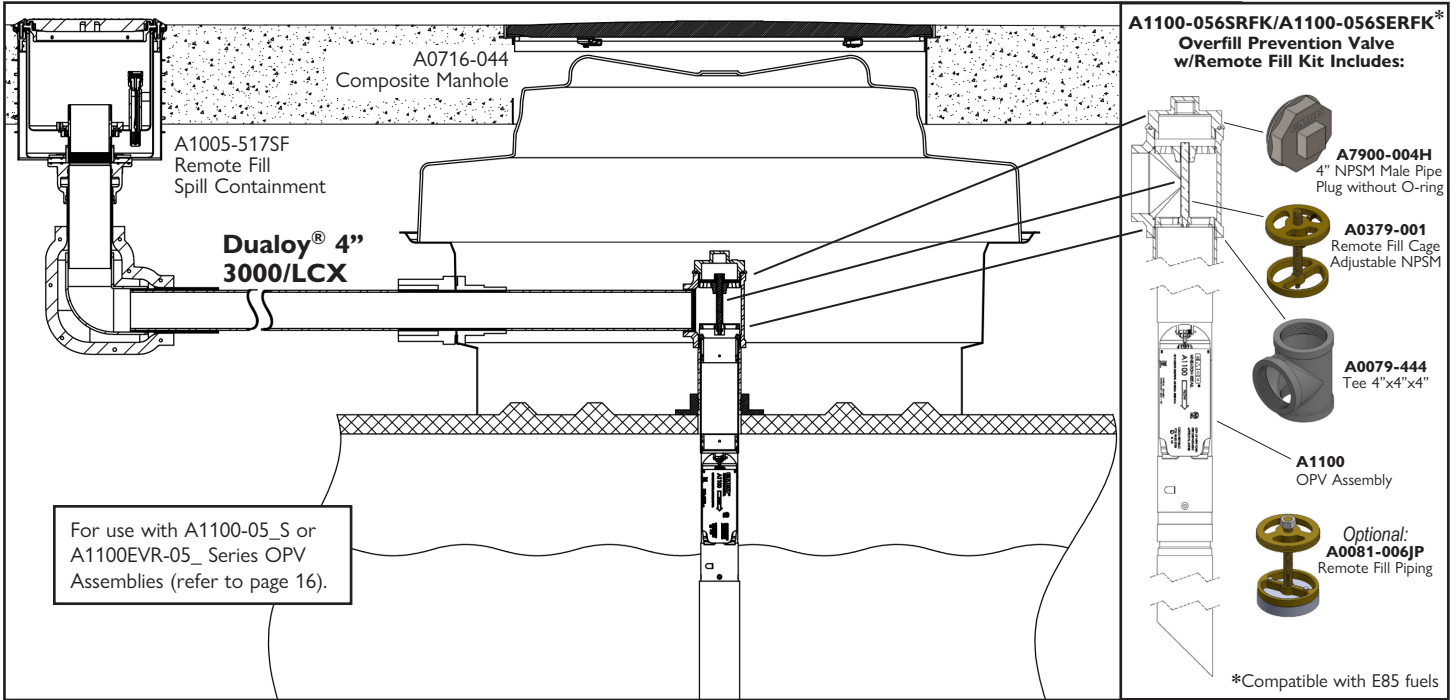
15 Gallon

Model No.	Spill Containment Description	Stub Out Description
A1005-517SF	DW stainless steel, no drain, gauge	4" DW Dualoy® 3000/LCX
A1005-517SF3	DW stainless steel, no drain, gauge	3" DW Dualoy® 3000/LCX
A1005-517SF3SW	DW stainless steel, no drain, gauge	3" SW Red Thread®
A1005-616SF3SWV	DW SST primary/poly secondary, no drain, 15 gal Vapor Cap & Swivel Adapter	3" SW Red Thread®
A1005-616SF3X	DW SST primary/poly secondary, no drain, 15 gal Fill Cap & Swivel Adapter	3" DW Dualoy® 3000/LCX
A1005-616SF4	DW SST primary/poly secondary, no drain, 15 gal	4" DW Dualoy® 3000/LCX

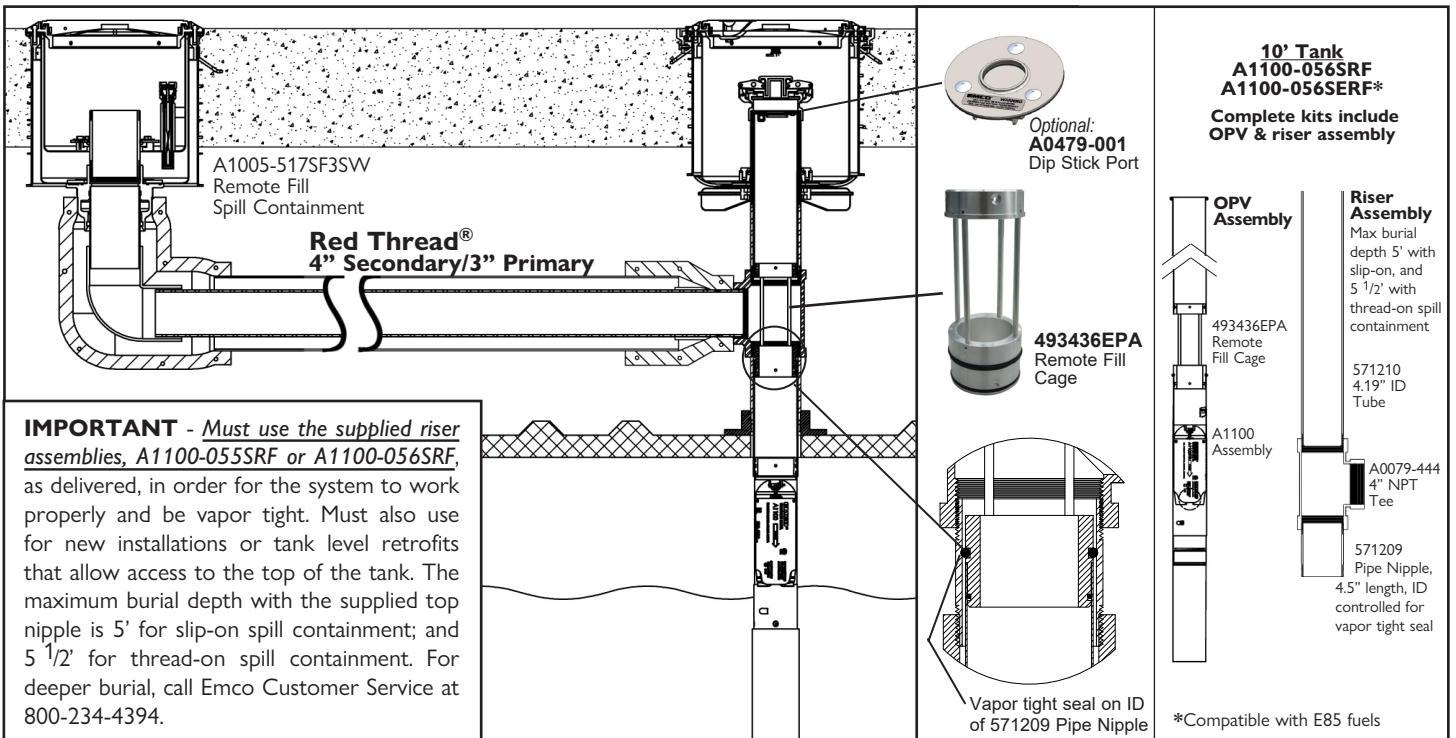
Spill Containment

Special Applications

Remote Fill



Remote Fill Only



Remote Fill / Direct Fill

IMPORTANT - Must use the supplied riser assemblies, A1100-055SRF or A1100-056SRF, as delivered, in order for the system to work properly and be vapor tight. Must also use for new installations or tank level retrofits that allow access to the top of the tank. The maximum burial depth with the supplied top nipple is 5' for slip-on spill containment; and 5 1/2' for thread-on spill containment. For deeper burial, call Emco Customer Service at 800-234-4394.