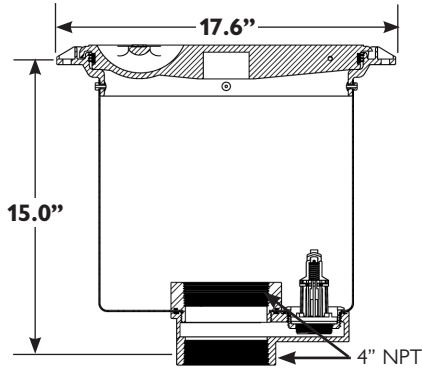


Spill Containment

Special Applications

Stainless Steel

Non-Replaceable Stainless Steel



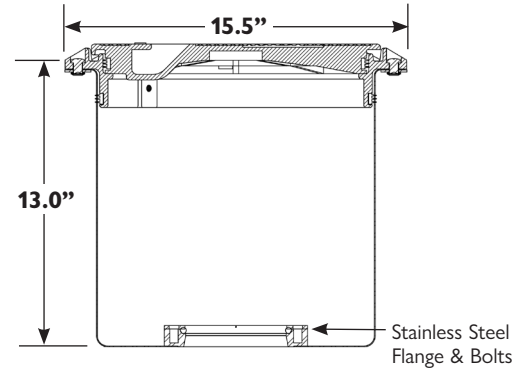
Screw-On

Model No.	Description
A1005-501T	Cast iron rim & lid, drain
A1005-501TC	Cast iron rim/composite lid, drain
A1005-501TN	Cast iron rim & lid
A1005-501TNC	Cast iron rim/composite lid

To order with an A0333-004 Hand Pump (p. 64), add a "P" to the end of the variant number.

■ ULC Listed MH21149
Florida DEP #EQ-524

Non-Replaceable Stainless Steel

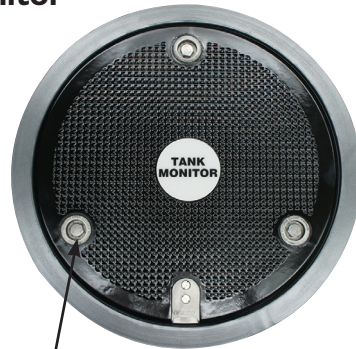


Slip-On

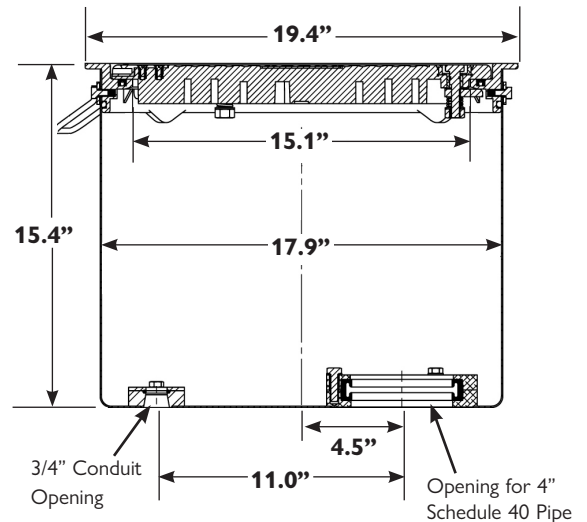
Model No.	Description
A1005-517	Cast iron lid, 4" riser pipe
A1005-517-3	Cast iron lid, 3" riser pipe
A1005-517-C	Composite lid, 4" riser pipe

Non-Replaceable Stainless Steel for Tank Monitor

- 4.5" Offset Pipe Entry for Tank Monitor
- 16 gauge stainless steel containment will not rust
- Stainless steel bolts and Nitrile seals on bottom flange
- Water-resistant composite lid and Nitrile seal, meets AASHTO H20 load rating



Cam-lock fittings etched to show open and close directional arrows



15 Gallon Slip-on

Model No.	Description	Application	Lid Dia.	Lid Lbs.	Total Lbs.
*A1005-015TMF	Composite lid, 15 gal	4" riser, 4.5" offset, 3/4" conduit opening	17.0"	11.6	51.4
A1005-015TMFP	Composite lid, 15 gal	4" riser, 4.5" offset, 3/4" conduit plugged	17.0"	11.6	

*Most common variant