

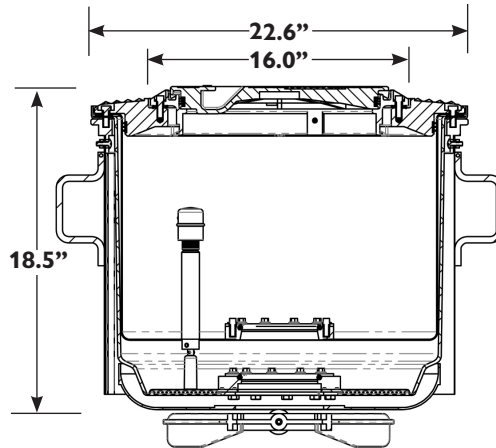
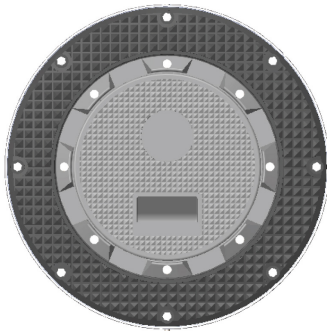
# Spill Containment

## Special Applications

## Stainless Steel/Poly

### Evolution

Replaceable  
Stainless Steel



**15 Gallon, Double Wall  
SST Primary, Poly Secondary**

Model No.	Description
A1005-616RD	SST Primary/Poly Secondary, no drain, 16" cast iron rim & lid, 22" to 16" cast iron rim adapter, gauge, riser lock

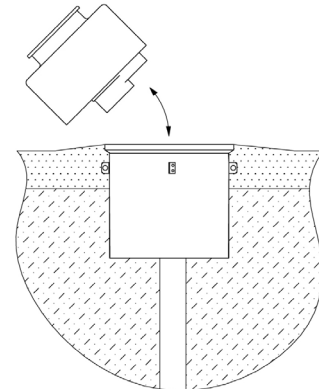
Replaceable  
Below Grade Stainless Steel



*Replaceable from above ground*

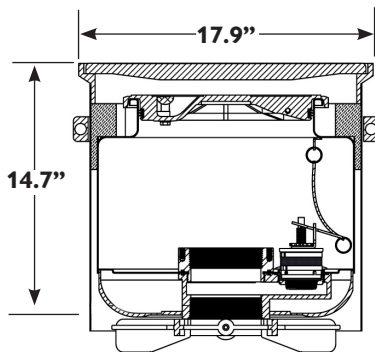
Grade level lid also available in cast iron

Optional locking mechanism for below grade lid

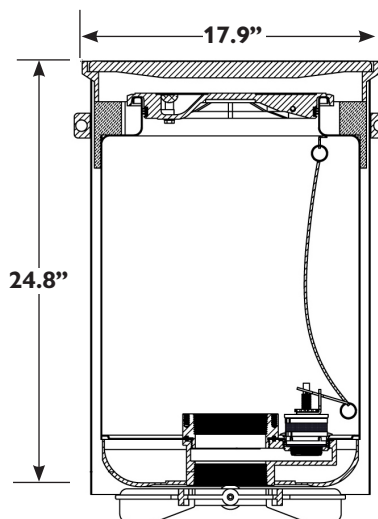


■ ULC Listed MH21149

**Screw-On  
5 Gallon**



**Screw-On  
15 Gallon**



Model No.	Description
A1005-905	Composite grade level lid, cast iron below grade lid, drain plug
A1005-905D	Composite grade level lid, cast iron below grade lid, drain
A1005-915	Composite grade level lid, cast iron below grade lid, drain plug
A1005-915D	Composite grade level lid, cast iron below grade lid, drain