

Drop Tubes

A0020 Drop Tube

The Emco Wheaton A0020 Drop Tube is designed for use in both conventional non-vapor recovery and dual point vapor recovery systems. Emco drop tubes are a full .05" thick for added strength and to reduce shipping damage. Tube I.D. is 3.815"; O.D. is 3.915". Custom lengths are available upon request.

Material

Tube: Aluminum

O-ring: Viton®

Viton® is a registered trademark of The Chemours Company

■ CARB Executive Order G-70-97-A

Model No.	Size	Length	Lbs.
Rolled Edge			
* A0020EVR-004	4"	12'	13.0
* A0020EVR-005	4"	15'	16.1
* A0020EVR-007	4"	17'	18.2
A0020-004E (E85)	4"	12'	13.0
A0020-005E (E85)	4"	15'	16.1
A0020-133 (Includes Handle)	4"	10'	11.0
A0020-144 (Includes Handle)	4"	12'	13.0
Heavy Duty Collar			
A0020EVRC-004	4"	12'	13.7
* A0020EVRC-005	4"	15'	16.8
* A0020EVRC-007	4"	17'	18.9
* A0020C-004E (E85)	4"	12'	13.7
A0020C-005E (E85)	4"	15'	16.8

* Phase I EVR E.O. VR-105

Emco recommends using the heavy duty collar for EVR applications.

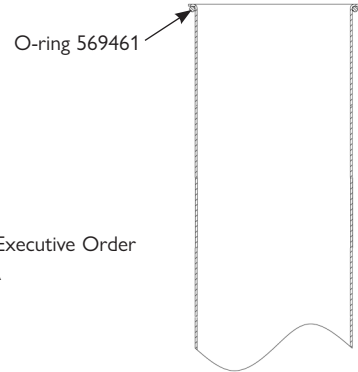
Model No.	Description	Lbs.
493391	Riser Collar Kit w/ Handle	2.0
493391A	Riser Collar Kit	2.0
569461	Collar O-ring	



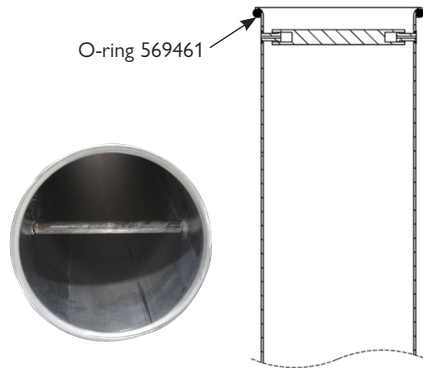
493391
Riser Collar Kit
Includes Handle



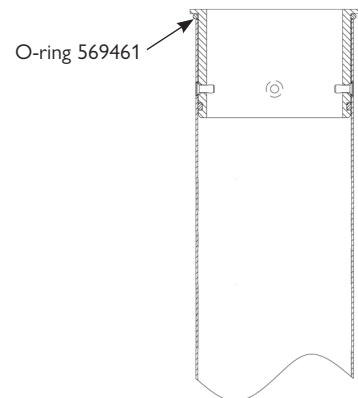
493391A
Riser Collar Kit



Standard Rolled Edge



Standard Rolled Edge with Handle



Heavy Duty Collar Kit
(p/n 493391A) Application

