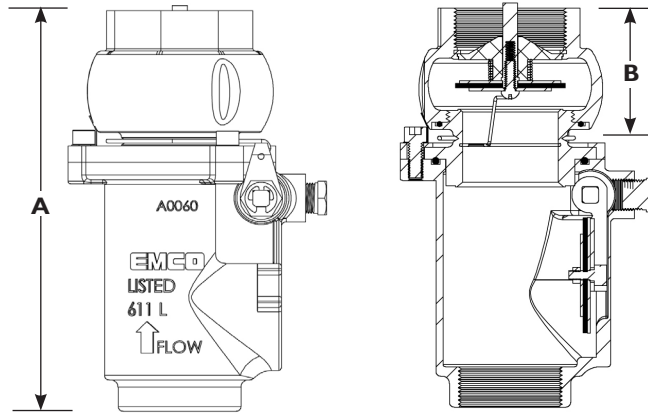


Emergency Shear Valves

A0060 2" Stainless Steel Emergency Valve

Material

Body: Stainless Steel
Spring: Stainless Steel
Seal: Nitrile



The Emco Wheaton A0060 2" Emergency Shear Valve incorporates a stainless steel design, compatible with all gasoline/alcohol blends up to E15, Ultra Low Sulfur Diesel and biodiesel blends up to B100. It is designed for installation under gasoline or diesel dispensing units. The valve incorporates a replaceable shear section and a heat sensitive fusible link assembly. The A0060 can be manually operated to facilitate dispenser maintenance and incorporates a 3/8" test port. The closing poppet assembly is positioned out of the fuel flow path to minimize pressure drop. The valve utilizes a standard three boss mounting arrangement; mounting bolts included. Single and double poppet variants available.

Model No.	Description	Inlet	Outlet	Lbs.	A	B
A0060-202S	2" Single Poppet NPT	Female	Male	7.5	9.7"	4.0"
A0060-203S	2" Single Poppet NPT	Female	Female	7.1	8.4"	2.7"
A0060-222S	2" Double Poppet NPT	Female	Male	7.7	9.7"	4.0"
A0060-223S	2" Double Poppet NPT	Female	Female	7.5	8.4"	2.7"
A0060-215S	2" Single Poppet BSPT	Female	Male	7.5	9.7"	4.0"
A0060-216S	2" Single Poppet BSPT	Female	Female	7.1	8.4"	2.7"
A0060-225S	2" Double Poppet BSPT	Female	Male	7.7	9.7"	4.0"
A0060-226S	2" Double Poppet BSPT	Female	Female	7.5	8.4"	2.7"

Replacement Parts

Part No.	Description	Outlet	Lbs.
495651S	2" Replacement Top; 1 Poppet NPT	Male	3.1
495650S	2" Replacement Top; 1 Poppet NPT	Female	2.7
495649S	2" Replacement Top; 2 Poppet NPT	Male	3.3
495657S	2" Replacement Top; 2 Poppet NPT	Female	2.9
495668S	2" Replacement Top; 1 Poppet BSPT	Male	3.1
495669S	2" Replacement Top; 1 Poppet BSPT	Female	2.7
495670S	2" Replacement Top; 2 Poppet BSPT	Male	3.3
495671S	2" Replacement Top; 2 Poppet BSPT	Female	2.9
492963K	Fusible Link Kit		0.2
572417	Control Arm		
A0065-001	A0060 Stabilizer Bar Mounting Kit		3.8