

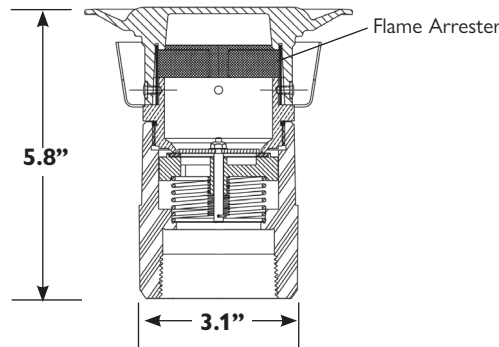
# Vents

## A0084 Pressure Vacuum Vent

The Emco Wheaton A0084 is an internal pressure vacuum valve that restricts vapor escape during product drops. Typically installs on the top of the vent pipes from the underground or aboveground fuel storage tanks. The vent valve is equipped with a wire mesh screen designed to protect the storage tank vents against intrusion and blockage from rain water and debris. A normally closed poppet within the valve opens to allow the tank to vent (see chart below). The body and cap are anodized aluminum for corrosion-free service. UL Listed.



■ UL Listed MH46838



### Material

Body: Aluminum  
 Seal: Viton®  
 Cap: Aluminum  
 Screen: 40 Mesh Stainless Steel

Viton® is a registered trademark of The Chemours Company

Model No.	Inlet	Pressure Setting	Vacuum Setting	Lbs.	Replaces
A0084-014	2" BSPT	13.86" H <sub>2</sub> O (8.00 oz.)	0.8" H <sub>2</sub> O (0.50 oz.)	2.6	
A0084-105	2" Slip On	2.00" H <sub>2</sub> O (1.14 oz.)	0.8" H <sub>2</sub> O (0.50 oz.)	2.0	
A0084-200	2" Thread-on	2.00" H <sub>2</sub> O (1.14 oz.)	3.0" H <sub>2</sub> O (1.88 oz.)	2.0	A0084-100
A0084-201	2" Slip On	2.00" H <sub>2</sub> O (1.14 oz.)	3.0" H <sub>2</sub> O (1.88 oz.)	2.6	A0084-101
A0084-204	2" Thread-on	13.86" H <sub>2</sub> O (8.00 oz.)	0.8" H <sub>2</sub> O (0.50 oz.)	2.9	A0084-004
A0084-209	2" Slip On	13.86" H <sub>2</sub> O (8.00 oz.)	0.8" H <sub>2</sub> O (0.50 oz.)	2.9	A0084-009
<b>Meets EPA 40 CFR Part 63 Requirements</b>					
* A0084-038	2" Thread-on	2.5"-6.0" WC	6.0"-10.0" WC	2.9	
A0084-103	2" Slip-on	2.5"-6.0" WC	6.0"-10.0" WC	2.6	
A0084-338	3" Thread-on	2.5"-6.0" WC	6.0"-10.0" WC	3.5	
A0084-303	3" Slip-on	2.5"-6.0" WC	6.0"-10.0" WC	3.2	

\*Most common variant

## A0085 Vent Adapters

The Emco A0085 is used with A0084 2" vents to connect to 3" riser pipes. Available in thread-on and slip-on versions. Aluminum construction.

### Material

Body: Aluminum  
 Seal: Buna

Model No.	Description	Lbs.
A0085-302	3" Thread-on	0.6
A0085-302S	3" Slip-on	0.6

Slip-on versions incorporate 3 set screws

