

# EMCO®

# A4119EVR

Reconnectable SafeBreak® Valve

Now Field  
Reconnectable!

Phase II CARB  
EVR Certified

EMCO®  
WHEATON RETAIL

**Scuff guards**, provide additional protection to the dispenser front and side panels

**Snap cover**, is easily removeable, and secures shear pins in place

**Proven Ruggedness:** Factory and field testing demonstrated 100% functionality after ten consecutive drive-off events.



**Hex**, allows for a 2 1/4" open-end wrench

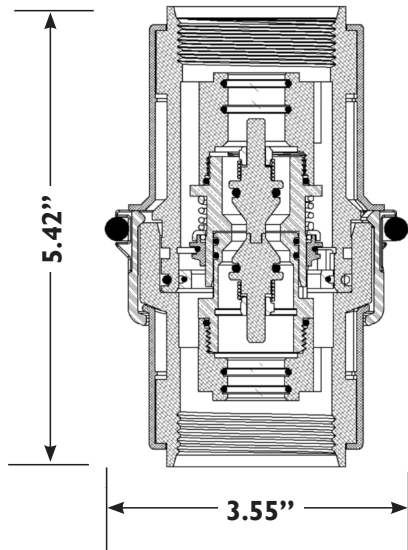
**O-ring**, prevents damage to the SafeBreak® during a drive-off event

**Button style shear pins**, in bright yellow with Emco "E" for authenticity

**CARB EVR Approvals:** For use with belowground and aboveground storage tank installations

**Emco Wheaton Retail Corporation**

2300 Industrial Park Drive • Wilson, North Carolina 27893  
252-243-0150 • 252-243-4759 (fax) • www.emcoretail.com



**Guide Specification:** The Model A4119EVR Coaxial SafeBreak® Valve is a shear pin style field reconnectable component designed for use with Balance Phase II Vapor Recovery systems. Complies with California Air Resources Board CARB Enhanced Vapor Recovery EVR Certification Procedures CP-201. A dual poppet design seals off both the fuel and vapor paths upon separation due to customer related “drive-off” events, eliminating fuel spillage and vapor emissions, and minimizing damage to the dispenser unit.

**Materials**

Body: Aluminum  
 O-rings: Buna-N  
 Protective Cover: Santoprene



### Certifications & Listings

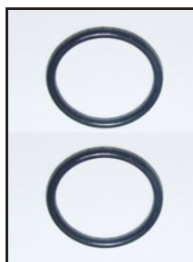
| Agency                                       | Approval Number                                         |
|----------------------------------------------|---------------------------------------------------------|
| CARB EVR                                     | Executive Orders VR-203, VR-204, VR-207, VR-208, VR-501 |
| California State Fire Marshal                | GVRC 005:007:031                                        |
| California Division of Measurement Standards | 3211(d)-09                                              |
| UL Listing                                   | MHI7833, Volume I, 08NK20256                            |

**Guide Specification:** The Model 572909 Clamp Tool is used to quickly and easily reconnect the Model A4119EVR Reconnectable Coaxial SafeBreak® Valve in the field.

### Ordering Information:

| Model No.       | Description                                             |
|-----------------|---------------------------------------------------------|
| A4119EVR-020RC  | Reconnectable Coaxial SafeBreak® Valve                  |
| A4119EVR-020RCS | Factory Serviced Reconnectable Coaxial SafeBreak® Valve |
| 572909          | Clamp Tool                                              |
| 495989          | Clamp Tool Plate Kit                                    |

### Repair & Replacement Kits:



494748EVR  
Fuel Path O-ring Kit



495820  
Shear Pin Kit



495843  
Snap Cover Kit



495866  
Scaff Guard Kit

### Emco Wheaton Retail Corporation

2300 Industrial Park Drive • Wilson, North Carolina 27893 252-243-0150 • 252-243-4759 (fax) • www.emcoretail.com