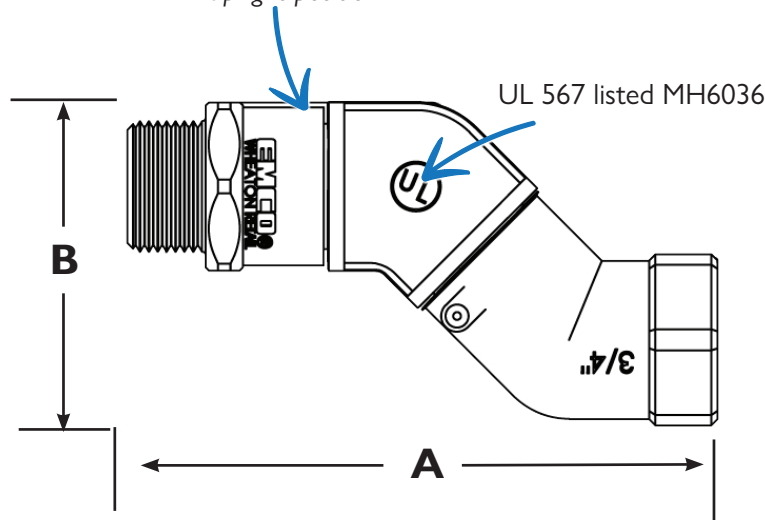


EMCO A0360 HOSE SWIVELS EXTEND THE LIFE OF NOZZLE HOSES BY PREVENTING TWISTING



A0360
Hose Swivel

The swivel rotates 360° at the nozzle inlet to keep the nozzle in a comfortable upright position.



MATERIALS Body: Aluminum
Male Thread Fitting: Stainless Steel
Seal: Fluorosilicone & Viton®
Viton® is a registered trademark of The Chemours Company

Excellent low temperature performance thanks to the Fluorosilicone O-rings.

PART NUMBER	HOSE CONNECTION	NOZZLE CONNECTION	A	B	SHIPPING DIMS	WEIGHT
A0360-075	3/4" NPT Female	3/4" NPT Male	4.0"	2.2"	5.25" x 3" x 1.75"	0.62 lb.
A0360-100	1" NPT Female	1" NPT Male	4.4"	2.6"	5.25" x 3.125" x 2"	0.98 lb.