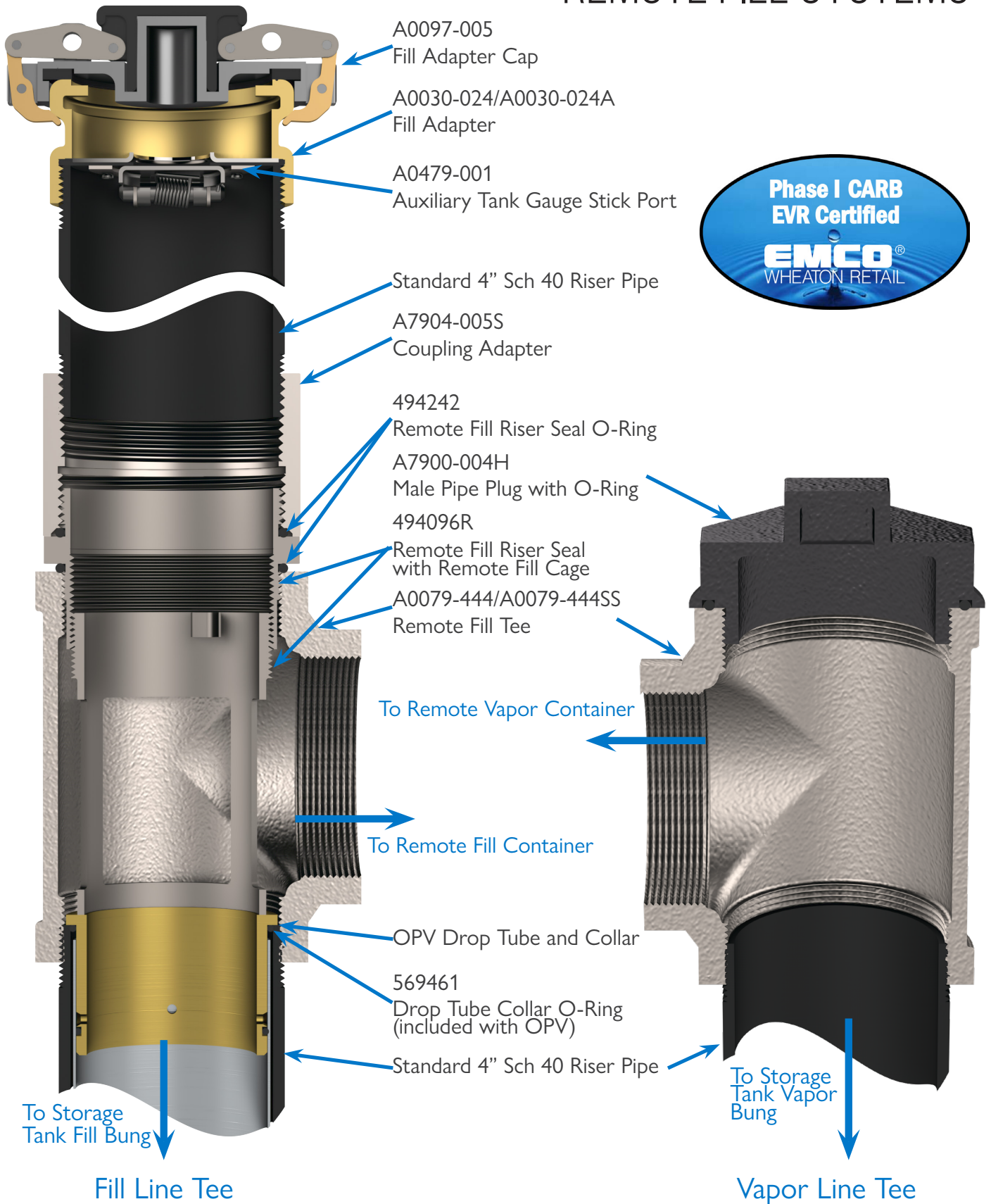


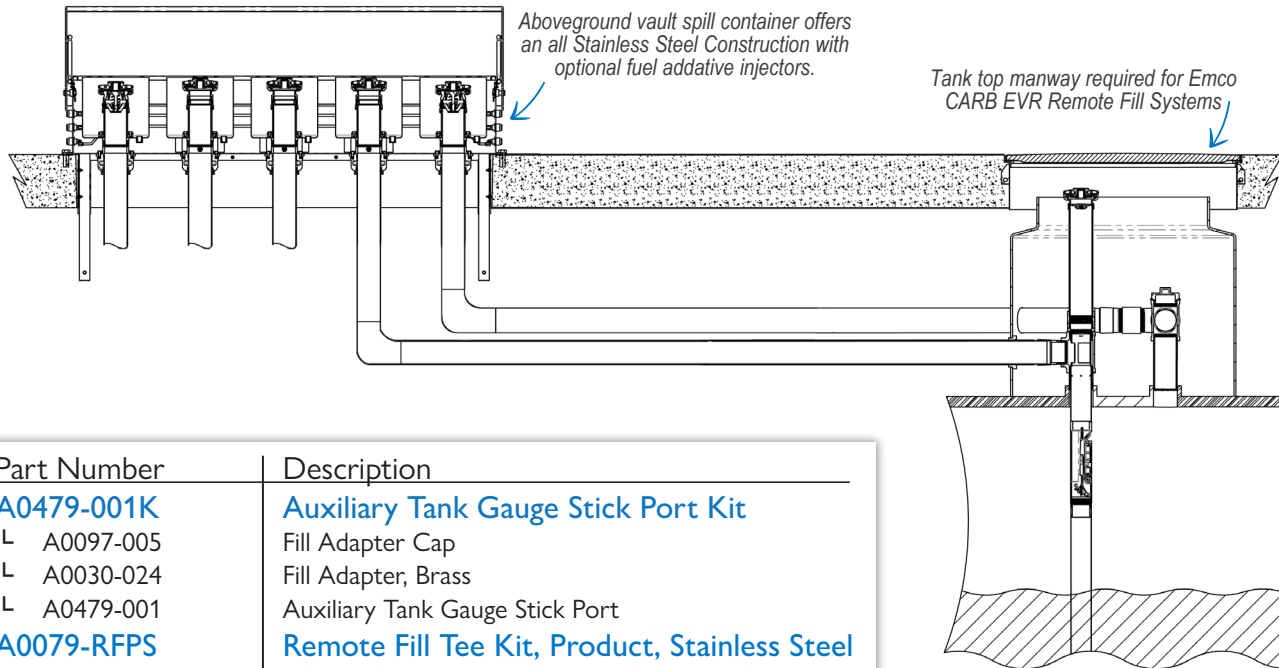


# CARB EVR APPROVED REMOTE FILL SYSTEMS



## CARB EVR APPROVED REMOTE FILL SYSTEMS

**EMCO REMOTE FILL SYSTEMS ARE NOW CARB APPROVED UNDER EXECUTIVE ORDER VR-105.**



Part Number	Description
<b>A0479-001K</b>	<b>Auxiliary Tank Gauge Stick Port Kit</b>
L A0097-005	Fill Adapter Cap
L A0030-024	Fill Adapter, Brass
L A0479-001	Auxiliary Tank Gauge Stick Port
<b>A0079-RFPS</b>	<b>Remote Fill Tee Kit, Product, Stainless Steel</b>
L A7904-005S	Coupling Adapter
L 494242	Remote Fill Riser Seal O-Ring
L 494096R	Remote Fill Riser Seal and Cage
L A0079-444SS	Remote Fill Tee, Stainless Steel
<b>A0079-RFVS</b>	<b>Remote Fill Tee Kit, Vapor, Stainless Steel</b>
L A7900-004H	Male Pipe Plug with O-Ring
L A0079-444SS	Remote Fill Tee, Stainless Steel
<b>A1100EVR-XXX</b>	<b>OPV with Collar Kit</b>
<b>Spill Containment</b>	<b>See Below</b>

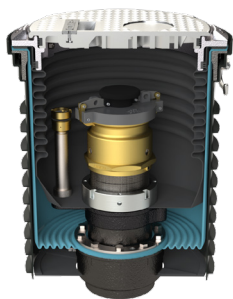
All Emco remote fill systems are compatible with:

- 4" Double Wall FRP
- 4" Single Wall FRP
- 6" over 4" FRP

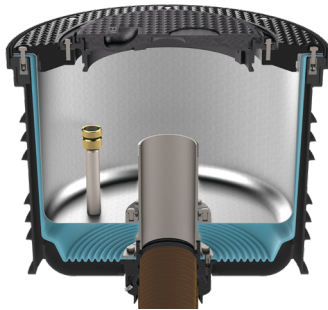
- 
- 3" Double Wall FRP\*
  - 3" Single Wall FRP\*
  - 4" over 3" FRP\*

\*Not CARB EVR compliant

*All Emco CARB EVR approved spill containment solutions are available in a remote fill configuration.*



5 Gallon Direct Bury  
Spill Container



15 Gallon Direct Bury  
Spill Container



Multiport  
Spill Container



Aboveground Vault  
Spill Container

**Contact customer service to spec your remote fill spill container.**