



A0097-005
Fill Adapter Cap



A0099-002
Vapor Adapter Cap



A0097-010
ATG Probe
Adapter Cap



A0097-004LP
Low Profile
Fill Adapter Cap



A0099-004LP
Low Profile
Vapor Adapter Cap



A0030-124S
Swivel Fill Adapter



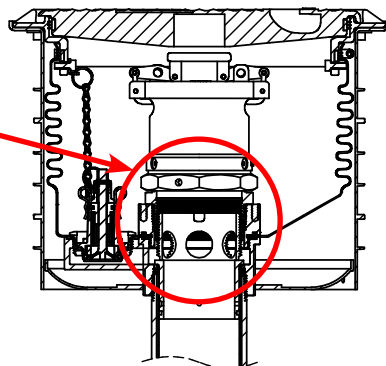
A0076-124S
Swivel Vapor Adapter



A0030-014
ATG Probe Adapter



494096
Riser Seal



Guide Specification:

- Top-seal cam and groove design for vapor tightness integrity
- Aluminum body powder coated orange or gray for field identification
- Lockable toggle action aluminum handle with self-aligning cams
- The Model A0099-003 includes a 12-inch chain to prevent theft
- The Model A0097-010 includes cord grip for use with ATG probes
- **A0097-010A includes ATG probe cap and adapter**

Guide Specification:

- A 360 degree rotation prevents accidental loosening from 4-inch tank fill or vapor riser
- Brass construction cam and groove design for use with top-seal caps for vapor tightness integrity
- Flat gasket with 4-inch NPSM thread connection
- The Model A0076-124S available with a normally closed poppet
- The Model A0030-014 is non-swivel for use with ATG probes
- Allows for complete field serviceability should the swivel adapter fail CARB static torque TP-201.B, leak tightness integrity tests TP-201.D or TP-201.3

Guide Specification:

- Lowers the top of the drop tube collar below the spill containment drain valve path
- Two-piece stainless steel construction



A0075
Ball Float



A0079 Extractor
Cross Fitting



A0079 Extractor
Tee Fitting



A0179
Extractor Cage



A0279 Extractor
Test Plug