



Retrofit

Spill Containment
A1005-505 Series

Convert your Obsolete Poly Bucket To State-of-the-Art Stainless Steel No Excavation Required



Before



After

Never Break Concrete Again

<u>Model</u>	<u>Page</u>	<u>Model</u>	<u>Page</u>
OPW	6-7	Fairfield	9
Franklin Fueling	8	Pemco	9
Universal	8	Emco	10-11
Pomeco	9	Accessories	12-14

EMCO WHEATON RETAIL CORPORATION

2300 Industrial Park Drive • Wilson, North Carolina 27893 • 252-243-0150 • 252-243-4603 (fax) • www.emcoretail.com

Why Buy an Emco Wheaton A1005-505 Stainless Steel Retrofit Spill Containment?

Save time and money

Emco Wheaton A1005-505 Stainless Steel Retrofits start at a list price of \$500, and typically require two man hours to install. Replacing a complete spill container costs between \$3000-\$5000 for materials and labor, plus sample testing costs.



Ease of Installation

Convert your obsolete poly bucket to state-of-the-art stainless steel; no excavation required.

Slip-in and bolt-down versions available; drain options also available.

Choose single wall



or double wall.



Reliability

The containment vessel completely isolates the existing manhole, and the lid seals inside the stainless steel vessel.

The water-resistant cast iron lid with built-in handle and exclusive triple wiper seal, meets AASHTO H20 wheel loading.

Approvals

ULC Listed	MH21149
Florida DEP	EQ-753; EQ-764R (Double Wall)
Kentucky	DEP
Missouri	DNR
North Carolina	DENR
Tennessee	Dept. of Environment & Conservation
PEMEX	PXR-SC-GVES-SAFP-SPTF-80-2013

US Patents
8,425,145 B2
8,425,145 B



Before



After

EMCO[®]

Models available for virtually all common competitors' buckets

Emco will provide custom designs for rare or unique applications.



EBW 702



OPW 1-2100



Universal 69RT



OPW 1-2100



EBW 702



Pomeco 211



OPW 84D



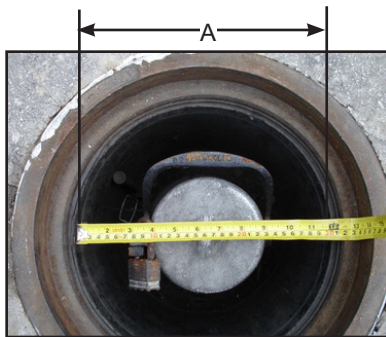
OPW 1-2105

How to Determine Which Stainless Steel Retrofit You Need

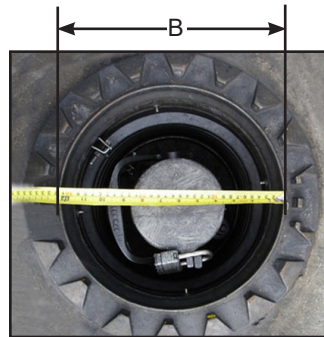
To ensure you order the correct retrofit kit for your application, please complete a copy of the form on the following page. This will also enable us to determine if customization is required. Follow these easy steps so that we can best assist you.



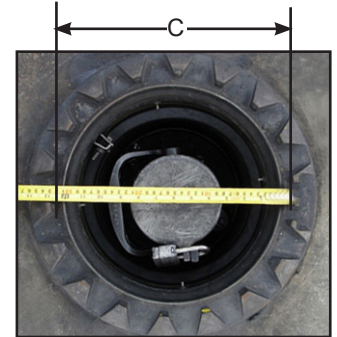
- Make all of the measurements as listed on the data sheet on the following page. See photos below for reference.
- Indicate the manufacturer if known, and include photos of the top view with lid and top view without a lid.
- Indicate if the existing bucket has a drain. If so, indicate if the retrofit bucket will require a drain or drain plug.
- Fax (252-243-4603) or email (sales@emcoretail.com) the completed data sheet to our Customer Service Department.



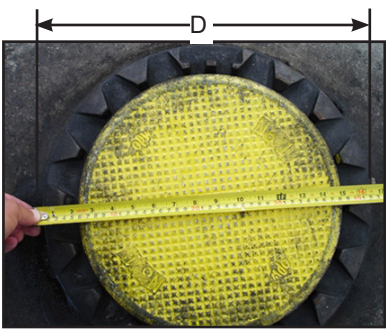
A: Smallest inside diameter of manhole



B: Outside lip diameter of drain channel (rain lip)



C: Inside diameter of plow ring lugs

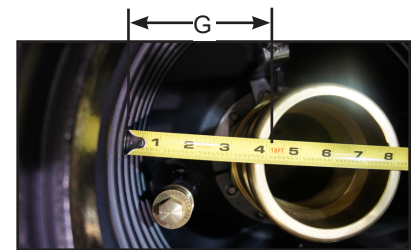


D: Outside diameter of rim

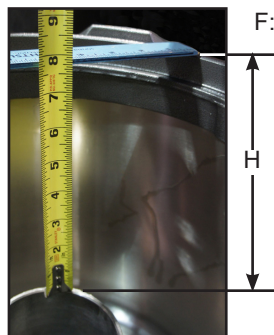


E: Depth from top of drain channel to the bottom of manhole

F: Number of protrusions on rim

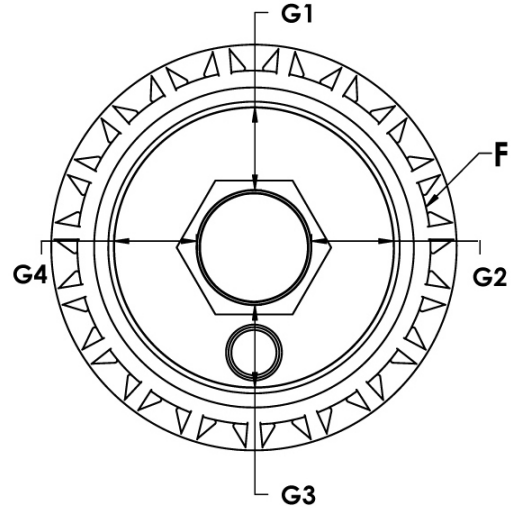
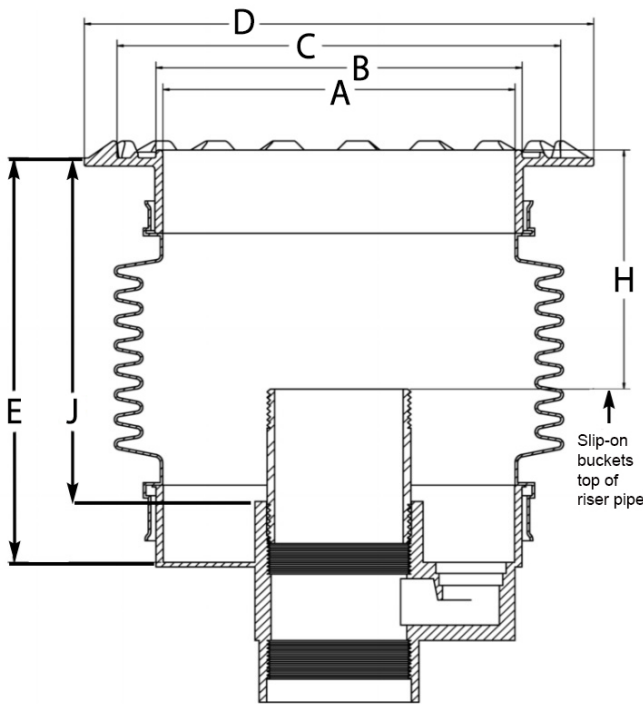


G1-G4: Measurement to determine if riser is off-center, which requires a special bucket type: Measure from the bucket wall to the inside diameter of the riser, nipple or adapter as this is a more defined surface.



H: Slip-on buckets only. Depth from top of drain channel to the top of riser: Remove the cap and adapter, and using a straight edge, measure from the top of the riser to the drain channel.

A1005-505C Stainless Steel Retrofit Data Sheet



F - Number of protrusions on rim

G1-G4 - Inside of spill bucket rim to ID of riser, nipple or adapter

H - ***Slip-on buckets only:** Depth from top lip of rim to top of riser pipe. (not nipple/riser extension)

In addition to "H", if a coupling is present, add a note in comment section and provide height to bottom of coupling

- A - Smallest inside diameter of spill bucket
- B - Outside lip diameter at top lip of rim (rain lip)
- C - Inside diameter of plow ring
- D - Outside diameter of rim
- E - Depth from top lip of rim to bottom of bucket
Remove debris from bottom of bucket before measuring.
- J - Depth to shallowest non-removable object in the bottom of the spill bucket.

A = _____	F = _____
B = _____	G1 = _____
C = _____	G2 = _____
D = _____	G3 = _____
E = _____	G4 = _____
J = _____	H* = _____

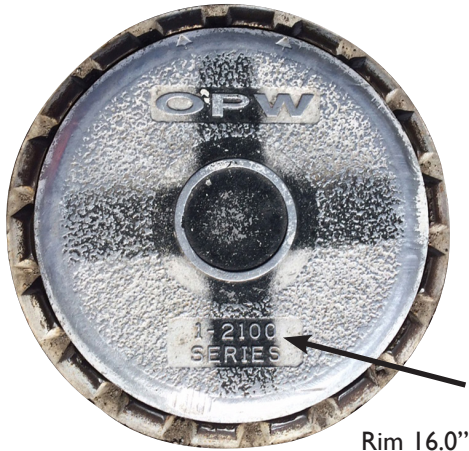
Return this completed form & photos to:
Emco Customer Service Department
 Fax (252-243-4603)
 Email (sales@emcoretail.com)

<p>Manufacturer:</p> <p><input type="checkbox"/> EBW <input type="checkbox"/> Emco <input type="checkbox"/> OPW</p> <p><input type="checkbox"/> Pemco <input type="checkbox"/> Pomeco <input type="checkbox"/> Universal</p> <p><input type="checkbox"/> Other _____</p>	<p>Model # _____ Existing Drain? <input type="checkbox"/> Yes <input type="checkbox"/> No</p> <p>Drain required in stainless steel insert? <input type="checkbox"/> Yes <input type="checkbox"/> No</p> <p>Is the existing bucket slip-on _____ or thread-on _____?</p> <p>Is the existing OPV coaxial _____?</p> <p>Contact Name _____</p> <p>Contact Phone # _____</p> <p>Site Location _____</p> <p>Tank ID _____</p>
---	---

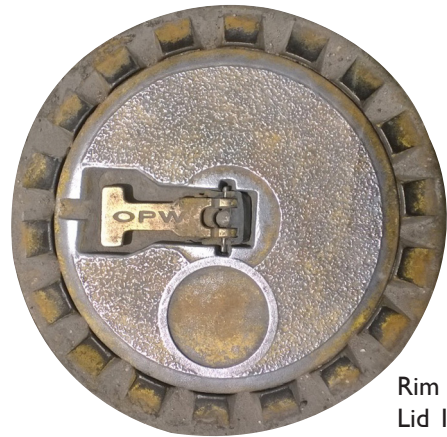
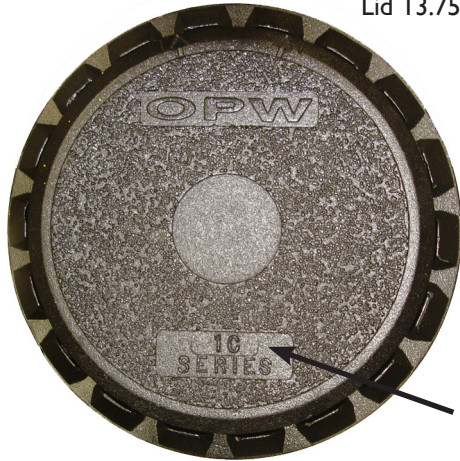
Attach photos:

- Top view with lid
- Top view without lid
- Any unique features

Additional Comments: _____

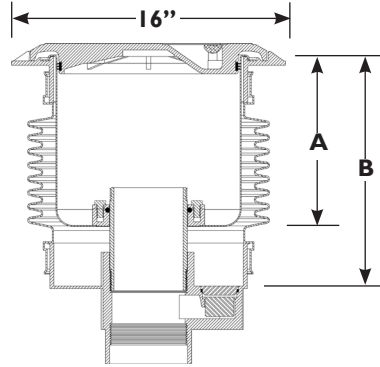


Rim 16.0"
Lid 13.75"

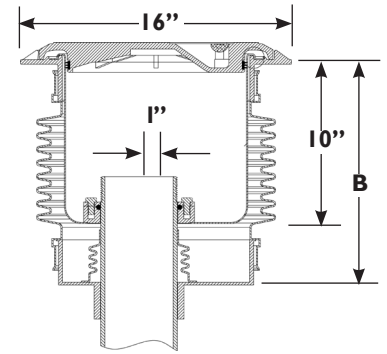


Rim 15.75"
Lid 12.5"

OPW I-2100



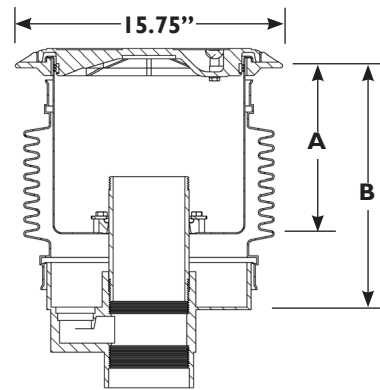
OPW I-2105 Offset



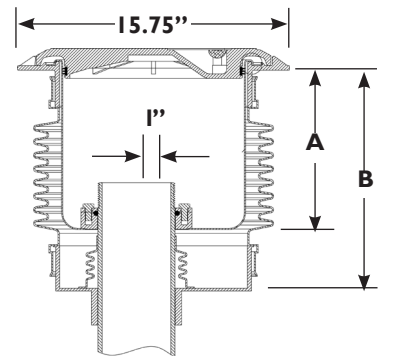
The I-2100 and I-2105 series are identified with "I-2100 Series" or "IC Series" printed on the lid. You must determine if the spill containment has a 1" offset and a rubber boot (right photo). This indicates that it is a I-2105 (slip-on) series, and will require a different retrofit kit than the I-2100 series. Refer to table below.



OPW ISC-2100



OPW ISC-2105 Offset



Model No.	Repairs OPW	A	Min. Ht. B	Lbs.
A1005-505C	I-2100 Series	10.0"	12.0"	31.0
A1005-505CDR	I-2100; Includes Drain	10.0"	12.0"	30.5
A1005-505CS	I-2100 Short	8.7"	10.8"	27.0
A1005-505CZ	I-2100 Crooked Riser	10.0"	12.0"	30.0
A1005-505CZDR	" "; Includes Drain	10.0"	12.0"	30.0
A1005-505CZS	" "; Short	8.7"	10.8"	30.0
A1005-505C5	I-2105 Offset	10.0"	12.0"	26.0
A1005-505CC	ISC-2100 Series	10.0"	12.0"	24.0
A1005-505CC5	ISC-2105 Offset	10.0"	12.0"	23.0

Drain Plug Kit	Description
A1005-505DP	Drain Plug Kit, I-2100/I-2105
A1005-505DPE	Drain Plug Kit w/Epoxy

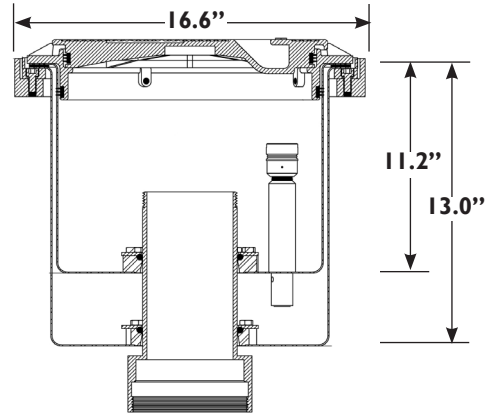
Inserts without drains will require purchase of the proper drain plug kit for the existing spill container.

Refer to pages 12-14 for installation and replacement items.

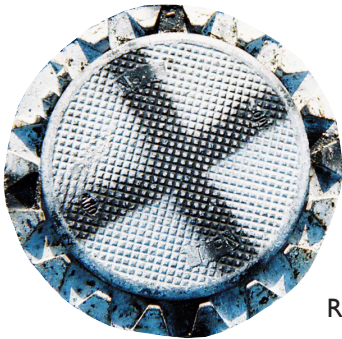
OPW 3112, 3101



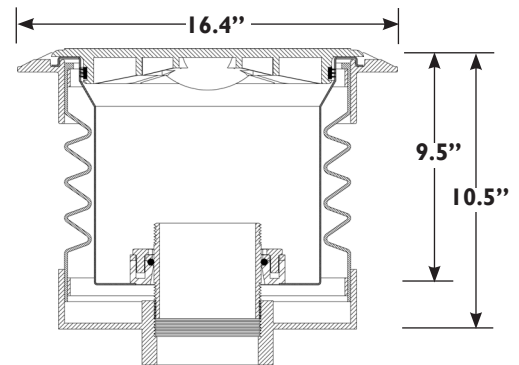
Rim 16.6"; Lid 13.75"



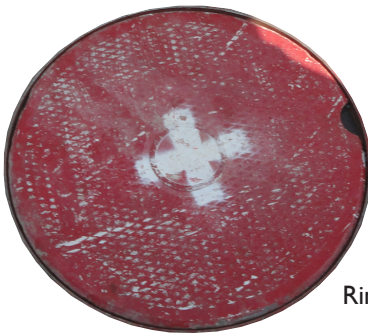
OPW 4000



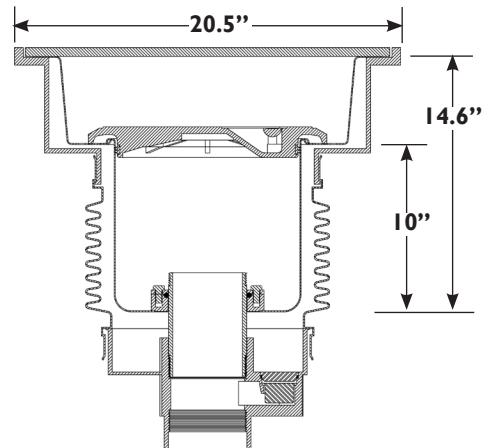
Rim 16.375"; Lid 13.13"



OPW 101BG Below Grade



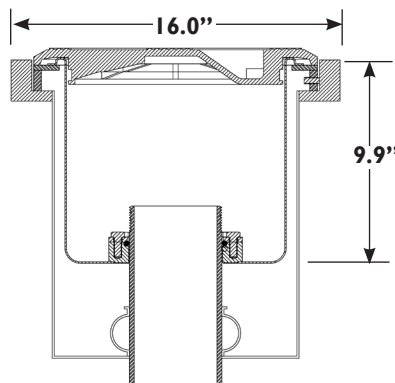
Rim 20.5"; Lid 20.0"



OPW 84D



Rim 16.0"; Lid 13.75"



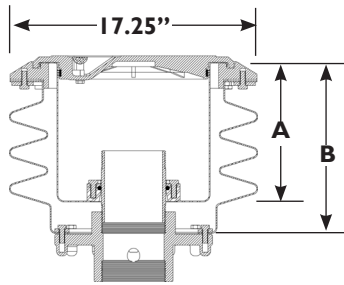
Model No.	Repairs OPW	Lbs.
A1005-505C4*	4000	24.0
A1005-505CA	84D	41.0
A1005-505CBG	101BG	39.0
A1005-505CPWE	1C-3112P Series, Double Wall Edge	
A1005-505CPWESW	1C-3101P Series, Single Wall Edge	
A1005-505DP	Drain Plug Kit, I-2100/I-2105	
A1005-505DPE	Drain Plug Kit w/Epoxy	

*Not available with a drain option.

Inserts without drains will require purchase of the proper drain plug kit for the existing spill container.

Refer to pages 12-14 for installation and replacement items.

EBW 702*, 703, 705

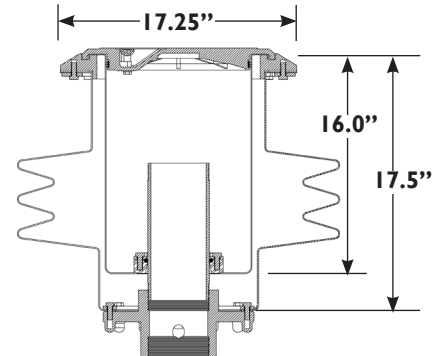


*EBW 702 is slip-on



Rim 17.25"; Lid 14"

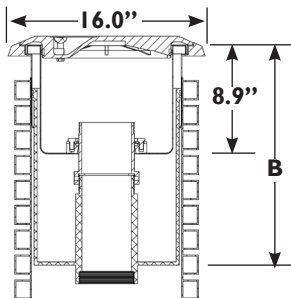
EBW 715, 725



Phil-Tite 400



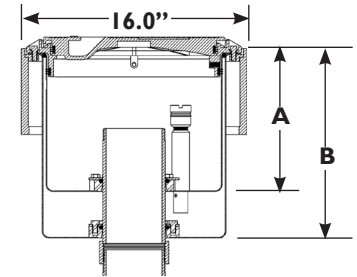
Rim 16"; Lid 14"



EBW 705545, 705555



Rim 16"; Lid 12"



Model No.	Repairs	Min. Ht. A	B	Lbs.
A1005-505CE	EBW 702,703,705	9.7"	11.1"	26.0
A1005-505CE770	EBW 702,703,705 Short	7.7"	9.3"	24.9
A1005-505CE15	EBW 715,725 15 Gallon	16.0"	17.5"	30.0
A1005-505CFD	EBW 705555	11.3"	13.7"	
A1005-505CFDSW	EBW 705545	10.4"		
A1005-505CFI	Phil-Tite 400	8.9"	16.4"	30.0
A1005-505DPEB	Drain Plug Kit for EBW 705,715			00.1

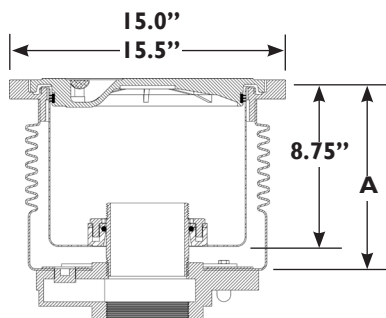
Inserts without drains will require purchase of the proper drain plug kit for the existing spill container. Refer to pages 12-14 for installation and replacement items.

Universal

Universal 69RT, 71CD



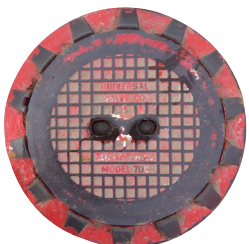
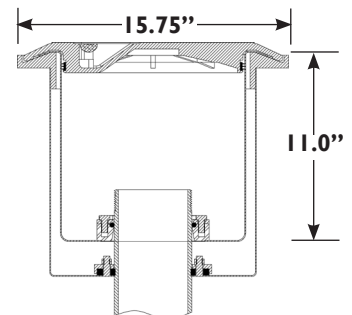
69RT, 71CD
Rim 15"; Lid 12.75"



Universal 70C



70C; 710CD
Rim 15.75"; Lid 15"



69RT, 71CD; 70C-DW
Rim 15.5"; 12.5" Lid

Model No.	Repairs	Min. Ht. A	Lbs.
A1005-505CU	Universal 69RT,71CD	9.3"	26.0
A1005-505CU70	Universal 70C	N/A	29.0
A1005-505DPU	Drain Plug Kit, 69RT,71CD		0.4

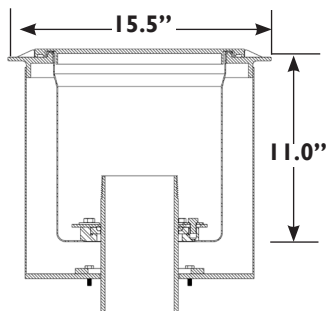
Inserts without drains require purchase of the proper drain plug kit for existing spill container. Refer to pages 12-14 for installation and replacement items.

Pomeco 111KP, 111KB

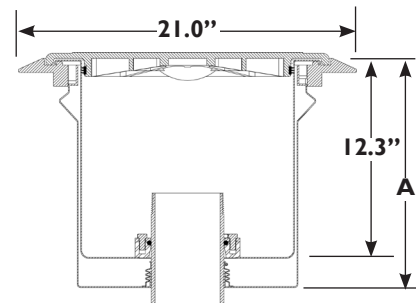
Pomeco 211



Rim 15.5"; Lid 12.25"



Rim 21"; Lid 17.25"



Model No.	Repairs	Min. Ht. A	Lbs.
A1005-505CPI	Pomeco 111KP, 111KB	N/A	25.0
A1005-505CP	Pomeco 211	12.4"	42.3

Refer to pages 12-14 for installation and replacement items.

Fairfield

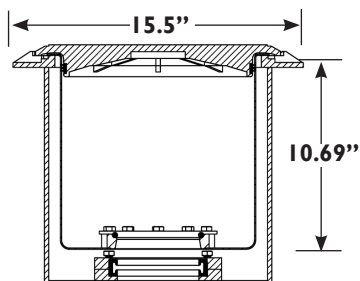
Pemco

Fairfield SCM-5

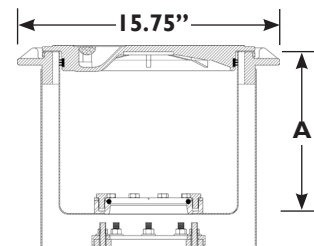
Pemco 112



Rim 15.5"; Lid 13.5"



Rim 15.75"; Lid 13.13"



Model No.	Repairs	Lbs.
A1005-505CF5	Fairfield SCM-5	29.9

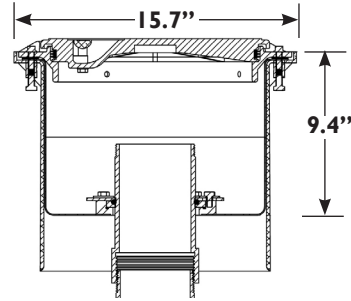
Model No.	Repairs	Dim. A	Lbs.
A1005-505CPEM	Pemco 112	9.8"	24.0

Refer to pages 12-14 for installation and replacement items.

Emco A1003



Rim 15.75"; Lid 15.75"



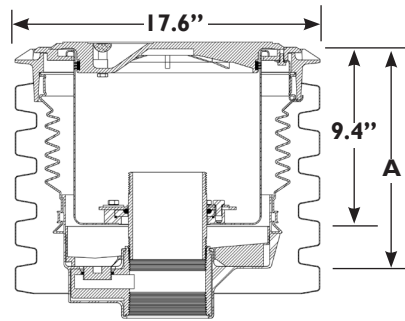
Model No.	Repairs	Min. Ht.	Lbs.
A1005-505CEW4	Emco A1003 Series	8.0"	28.0
A1005-505CEW4DR	Emco A1003 Series, Includes Drain	9.0"	28.3

*Minimum height is measured from the inside lip of the rim to the bottom of the bucket. Refer to pages 12-14 for installation and replacement items.

Emco A1004-010 (Slimline)



Rim 17.6"; Lid 15.3"



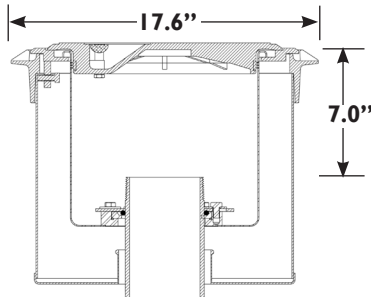
Model No.	Repairs	Min. Ht. A	Lbs.
A1005-505CEW3	Emco A1004-010 Series	10.5"	26.0
A1005-505CEW3DR 495202	Emco A1004-010 Series, Includes Drain Drain Plug Kit, A1004-010 Series	11.5"	26.0

*Minimum height is measured from the inside lip of the rim to the bottom of the bucket. Inserts without drains will require purchase of the proper drain plug kit for the existing spill container. Refer to pages 12-14 for installation and replacement items.

Emco A1005-001



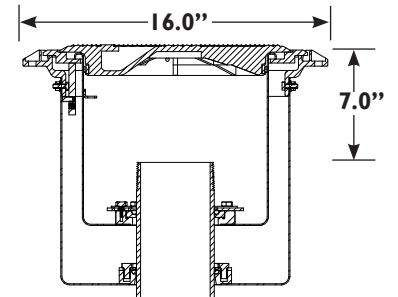
Rim 17.6"; Lid 15.3"



Emco A1005-501



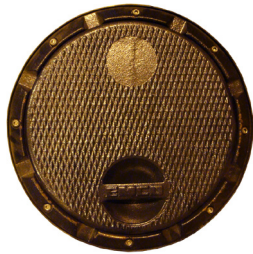
Rim 16"; Lid 13.2"



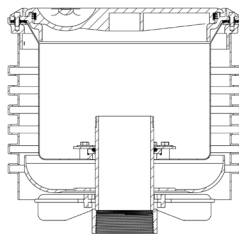
Model No.	Repairs	Max. Ht.	Lbs.
A1005-505CEW3A	Emco A1005-001	7.0"	26.0
A1005-505CEW6	Emco A1005-501	7.0"	26.0

*Minimum height is measured from the inside lip of the rim to the top of the riser. Refer to pages 12-14 for installation and replacement items.

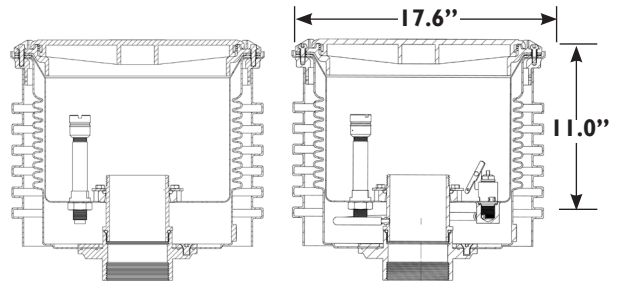
Emco A1004-210 Series



Rim 17.6"; Lid 15.3"



Kit for Single Wall



Kit for Double Wall

There are two styles of the A1004-210. Double wall versions will require either an NPT or NPSM adapter. Both adapters are included with each kit. You may return the unused adapter to Emco for credit. For stretched bellows applications, additional adapter lengths are available. Contact Customer Service, 800-234-4394.

Model No.	Repairs	*Min. Ht.	Lbs.
A1005-505CEW1	A1004-211A Single Wall	10.0"	47.0
A1005-505CEW1DR	A1004-210A Single Wall, Includes Drain	11.0"	48.9
A1005-505CEW1G	A1004-211S Double Wall, Includes Gage	10.8"	48.2
A1005-505CEW1GDR	A1004-210S Double Wall, Includes Drain & Gage	11.5"	50.1

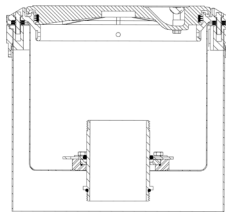
*Minimum height is measured from the inside lip of the rim to the bottom of the bucket.

Refer to pages 12-14 for installation and replacement items.

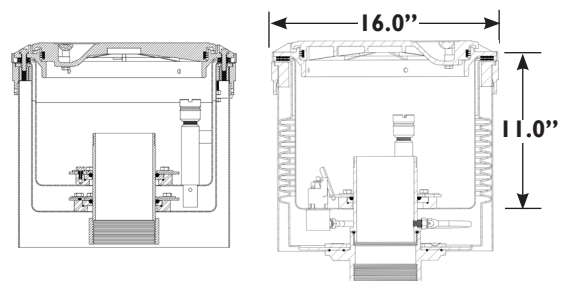
Emco A1004-316 Series



Rim 16"; Lid 13.2"



Kit for Single Wall

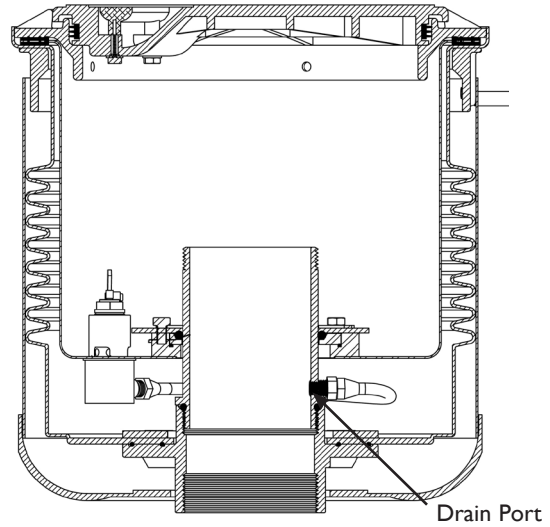
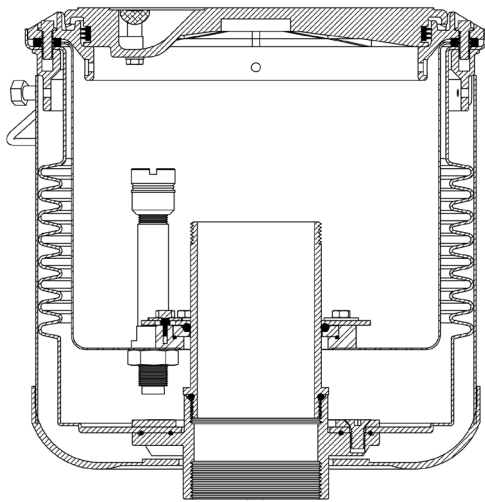


Kit for Double Wall

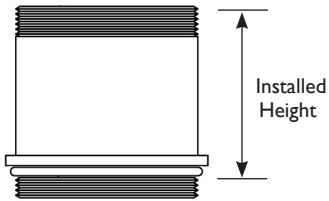
Model No.	Repairs	*Min. Ht.	Lbs.
A1005-505CEW2	A1004-317A Single Wall	10.3"	36.3
A1005-505CEW2DR	A1004-316A Single Wall, Includes Drain	11.3"	39.4
A1005-505CEW2G	A1004-317S Double Wall, Includes Primary Unit & Gage	10.1"	37.5
A1005-505CEW2GDW	A1004-317S Double Wall, Includes Primary & Secondary Units & Gage	10.1"	37.5
A1005-505CEW2GDR	A1004-316S Double Wall, Includes Primary & Secondary Units, Drain & Gage	11.0"	39.4

*Minimum height is measured from the inside lip of the rim to the bottom of the bucket.

An A7901-306K Adapter Kit is included with the A1005-505CEW2 models. For buckets that have been installed with the bellows in a stretched position, a taller adapter may be required. Contact Customer Service, 800-234-4394. Refer to pages 12-14 for installation and replacement items.



The A7901 Adapter is used to adapt an Emco secondary flange to a slip-on primary. An A7901-306K Adapter (-306KP for drain versions) is included with the A1005-505CEW1 double wall models and the A1005-505CEW2G.



A7901-304K
NPSM Male Thread



A7901-306KP

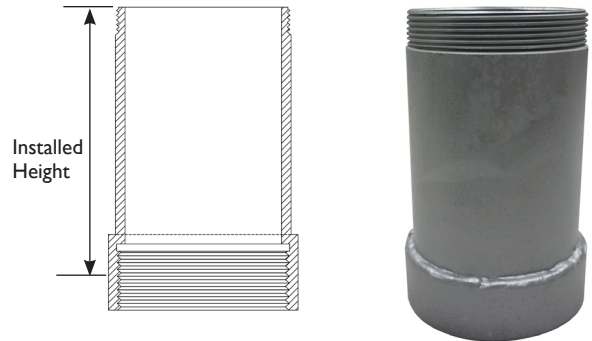
Variants with a "P" include a drain port.

Part No.	Installed Height	Description	Lbs.
A7901-304K	4.0"	A1005-505CEW1, CEW2	4.0
A7901-304KP	4.0"	A1005-505CEW1, CEW2	4.1
A7901-306K	6.0"	A1005-505CEW1, CEW2	7.5
A7901-306KP	6.0"	A1005-505CEW1, CEW2	7.6

Riser Extensions - One-Piece

The Emco Wheaton A0031 Riser Extensions and Adapters are designed to compensate for riser pipe variations and to accommodate spill containment retrofits. The riser extensions have 4" NPT top and bottom threads. The riser adapters have 4" NPSM top and 4" NPT bottom threads.

Part No.	Installed Height	Top Threads	Bottom Threads	Lbs.
Riser Extensions				
A0031-175	1.75"	4" NPT	4" NPT	2.7
A0031-250	2.50"	4" NPT	4" NPT	3.7
Riser Adapters				
*A0031-250R	2.50"	4" NPSM	4" NPT	3.7
A0031-450	4.50"	4" NPSM	4" NPT	4.1
A0031-625	6.25"	4" NPSM	4" NPT	4.4
A0031-625P	6.25"	4" NPSM	4" NPT	4.5
A0031-725	7.25"	4" NPSM	4" NPT	6.4
A0031-725P	7.25"	4" NPSM	4" NPT	6.5
A0031-825	8.25"	4" NPSM	4" NPT	7.9
A0031-825P	8.25"	4" NPSM	4" NPT	8.0
A0031-900	9.00"	4" NPSM	4" NPT	9.0



Variants with a "P" include a drain port

*Includes 2 set screws, for use when the riser pipe threads are damaged.

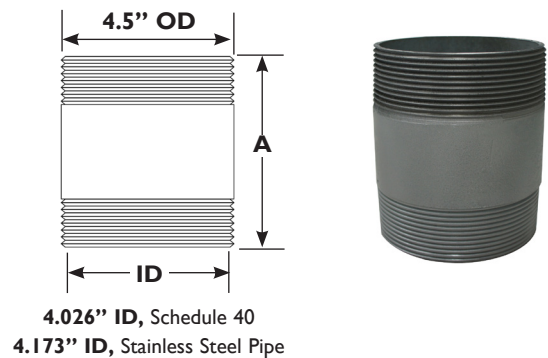
Riser Extensions - Two-Piece Pipe Nipples

The Emco Wheaton A7901 Pipe Nipple is used in spill containment buckets to extend the fill pipe. The A7901 is available in schedule 40 pipe, stainless steel or .156 DOM tubing. The top and bottom threads are NPT.

The Schedule 40 nipples are made from flame controlled pipe with no internal weld bead and have a nominal ID of 4.026". The stainless steel nipples have a nominal ID of 4.173".

Schedule 40 Model No.	Stainless Steel Model No.	Lbs.	Length A
A7901-004C	A7901-004CSS	1.6	3" (close)
A7901-004	A7901-004SS	2.5	4"
A7901-005	A7901-005SS	3.4	5"
A7901-006	A7901-006SS	4.2	6"
A7901-008	A7901-008SS	5.9	8"
A7901-012	A7901-012SS	9.4	12"
A7901-018	A7901-018SS	14.5	18"
A7901-024	A7901-024SS	19.7	24"
A7901-036	A7901-036SS	30.0	36"

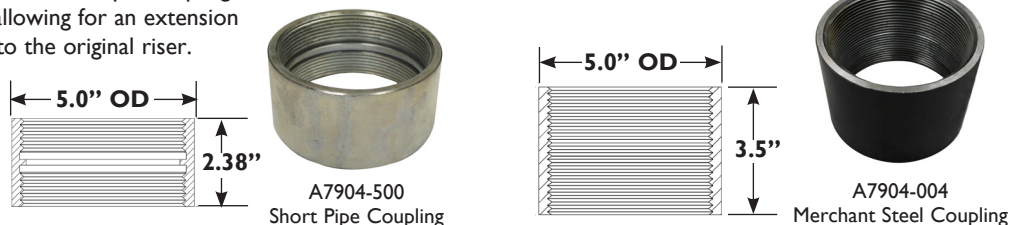
Common sizes listed; additional sizes available



Pipe Couplings

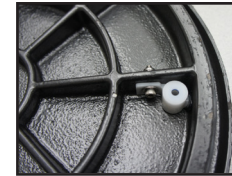
The Emco Wheaton A7904-500 and A7904-004 Pipe Couplings convert a male riser pipe to a female, allowing for an extension nipple. The A7904-500 adds only 1/4" to the original riser.

Model No.	Height	Lbs.
A7904-500	2.38"	2.9
A7904-004	3.50"	4.5



Lids

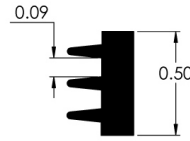
Spill Containment Model No.	Cast Iron Lid Model No.	Lid Seal	Lid Dia.	Lbs.
A1005-505CA, CAZ	A1005-505CAL	568961	13.8"	16.6
A1005-505C, CD, C5, CBG, CS, CZ	A1005-505CL	568961	13.7"	16.6
A1005-505CC, CC5	A1005-505CCL	568961	12.4"	16.6
A1005-505CE, CE15, CES	A1005-505CEL	568961	13.7"	16.6
A1005-505CEW3	A1005-505CEW3L	570012	15.4"	14.9
A1005-505CF1	A1005-505CFL1	568961	13.9"	16.5
A1005-505CF5	A1005-505CF5L	568961	13.5"	15.2
A1005-505C4	A1005-505CL4	568961	12.8"	12.3
A1005-505CPEM, CPED	A1005-505CPEML	568961	12.8"	13.3
A1005-505CP	A1005-505CPL	570012	17.6"	24.5
A1005-505CU	A1005-505CUL	568961	12.8"	13.4
A1005-505CU70, CEW4	A1005-505CUL70	568961	15.0"	16.9
A1005-505CEW1, CEW1DR	A1004-210LID	571815	15.3"	20.0
A1005-505CEW2, CEW2DR	A1004-316CLID	570012	13.2"	15.9



Vent Valve Installed In All Lids

495067K Vent Valve Replacement Kit

*A1005-505 Series Lid Seals:
Measure inside diameter as shown.
10³/₈"-10¹/₂" 568961 Seal
12³/₄"-13" 570012 Seal



568961 Lid Seal
570012 Lid Seal

A0081-003 Pipe Nipple Extractor

The Emco Wheaton A0081-003 Pipe Nipple Extractor is used to remove 4" pipe nipples; steel construction.

Model No.	Lbs.
A0081-003	10.3

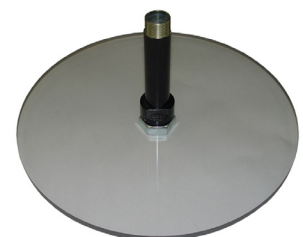


Testing Equipment

Part No.	Description	Diameter	Lbs.
A1004-210TEST	Test Unit	N/A	6.5
A0081-12TEST	Test Cover	12.40"	4.5
A0081-17TEST	Test Cover (-505CP)	17.38"	5.0



A1004-210TEST



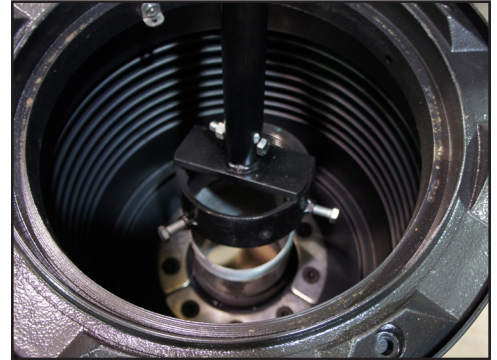
A0081-12TEST

Basic Installation Procedure

The following abbreviated installation procedure is for an *A1005-505C, Stainless Steel Retrofit for the OPW I-2100*. Steps will vary, depending on the spill containment model you are retrofitting.



- 1 Use an Emco Wheaton A0081-003 Pipe Nipple Extractor to remove existing pipe nipple, if necessary. Clean the bucket threads with a wire brush. Apply pipe sealant to the lower threads. Use the Emco A0081-003 to install the new nipple, ensuring that the shorter threads are on top.



- 2 Remove the drain, if existing, and plug the drain cavity using Emco A1005-505DP or A1005-505DPE (w/ epoxy) Drain Plug Kit, following instructions included with kit.



- 3 Clean the rim with wire brush, then wipe clean with lacquer thinner. Apply sealant to the rim.



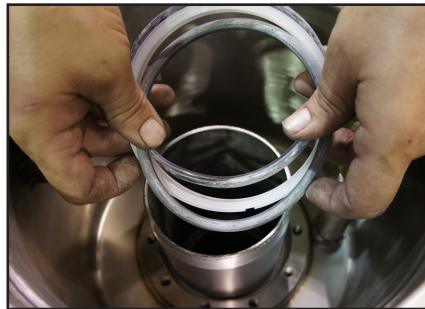
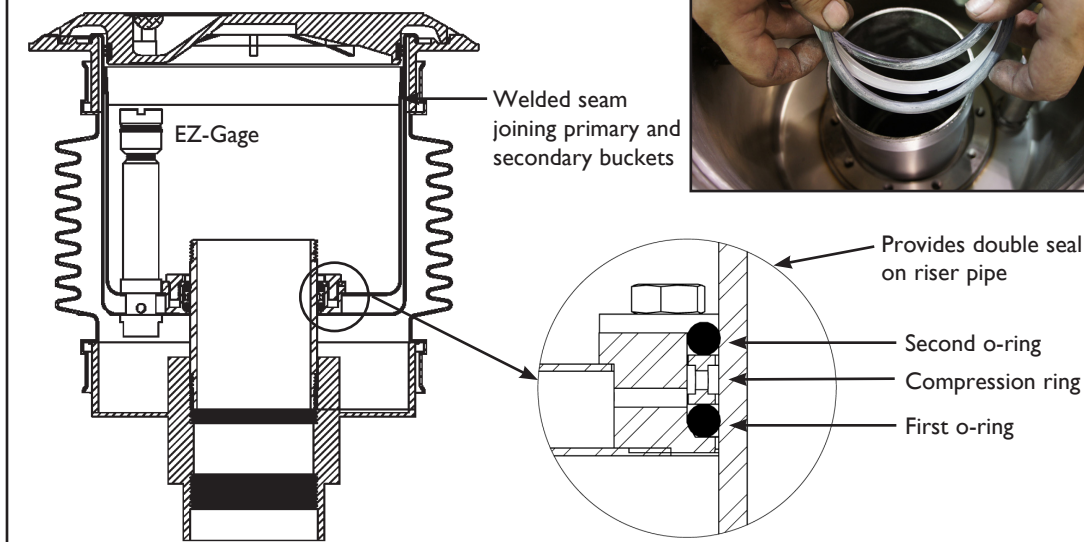
- 4 Install the new insert over the nipple, pushing it down completely to ensure that it sits fully on the existing rim.



- 5 Install the o-ring over the nipple, seating it completely in the bottom groove of the stainless steel flange.



- 5a **Double wall version:** Install the compression ring over first o-ring. Then install second o-ring over compression ring.



- 6 Install the two split flanges using the ten supplied stainless steel bolts.

Hand tighten all ten bolts, ensuring that the liner is completely down and flat on the rim. Tighten each of the ten bolts to 15 ft. lbs.



- 7 Perform required testing and reinstall adapter and cap. Install new lid.



EMCO[®]

EMCO WHEATON RETAIL CORPORATION

2300 Industrial Park Drive • Wilson, North Carolina 27893 • 252-243-0150 • 252-243-4603 (fax) • www.emcoretail.com

S-1012
01/21