

Remote Fill Spill Containment

Model No.	Spill Containment Description	Stub Out Description
A1005-517SF	DW stainless steel, no drain, 5 gal	4" DW Dualoy® 3000/LCX
A1005-517SF3	DW stainless steel, no drain, 5 gal	3" DW Dualoy® 3000/LCX
A1005-517SF3SW	DW stainless steel, no drain, 5 gal	3" SW Red Thread®
A1005-616SF3SWV	DW SST primary/poly secondary, no drain, 15 gal Vapor Cap & Swivel Adapter	3" SW Red Thread®
A1005-616SF3X	DW SST primary/poly secondary, no drain, 15 gal Fill Cap & Swivel Adapter	3" DW Dualoy® 3000/LCX
A1005-616SF4	DW SST primary/poly secondary, no drain, 15 gal	4" DW Dualoy® 3000/LCX

Available options:

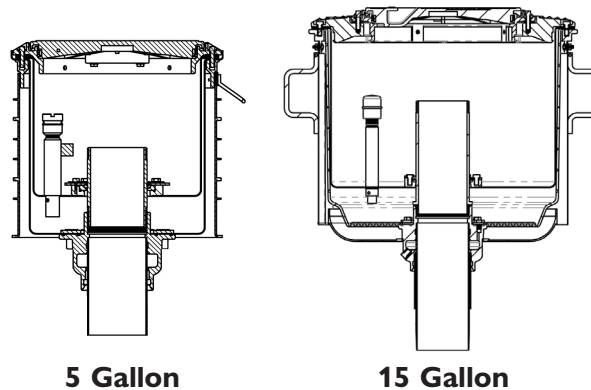
- Composite lid and stainless steel rim
- Lid and rim available powder coated to API color specifications
- Drain
- Electronic sensors
- 3" or 4" pipe
- 5 or 15 gallon capacity

Painted Lids - API Product Codes

Add to the end of the variant number:

- D Yellow ULSD
- R White Regular
- U Red Premium
- V Orange Vapor
- E Bronze E85

Contact Customer Service at 800-234-4394 for additional colors



Typical Complete System includes an A1005-517SF Double Wall Remote Fill Spill Containment, LCX, 5 gal, and an A1100-055SRF Remote Fill Overfill Prevention Assembly with Riser Assembly Kit

Remote Fill Overfill Prevention Assemblies

Model No.	Description	Upper Tube Length A	Lower Tube Length B	Max. Overall Length C	Max. Burial Depth	Nominal Tank Dia.	Lbs.
A1100-011	Valve Only, Remote Fill Export Low Flow, (non-EPA CFR 40)	N/A	N/A	N/A	N/A	N/A	5.0
A1100-054S	Remote Fill Export	47"	99"	161"	N/A	N/A	28.5
A1100-054SC	Remote Fill w/Cage BSPT	47"	99"	161"	N/A	N/A	27.9
A1100-054SCN	Remote Fill w/Cage NPT	47"	99"	161"	N/A	N/A	25.0
A1100-056SERF	Remote Fill Kit, Buried E85	82"	94"	199"	4.0 ^{***}	10.0'	66.7
A1100-056SRF	Remote Fill Kit, Buried	82"	94"	199"	4.0 ^{***}	10.0'	66.5
A1100-056SERFK	Remote Fill Kit, Sump E85	82"	94"	191"	--	10.0'	40.7
A1100-056SRFK	Remote Fill Kit, Sump	82"	94"	191"	--	10.0'	40.7

The A1100 Overfill Prevention Valve is not recommended for tanks under 6' in diameter.

Maximum burial depth assumes 95% shut-off and 6" clearance between top of drop tube and inside bottom of containment manhole lid.

*For additional applications and installation instructions, call Customer Service Department, 800-234-4394.

EMCO®

Remote Fill and Overfill Prevention Systems



EMCO WHEATON RETAIL CORPORATION

2300 Industrial Park Drive • Wilson, North Carolina 27893
252-243-0150 • 252-243-4603 (fax) • www.emcoretail.com

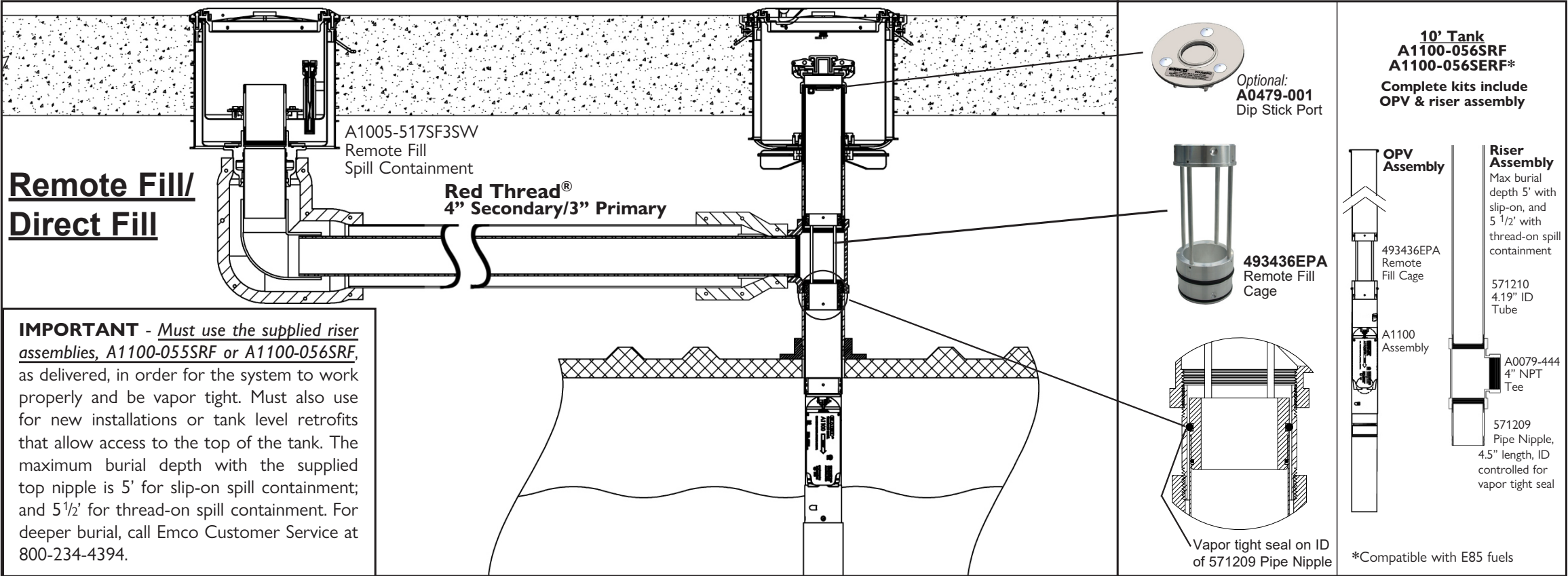
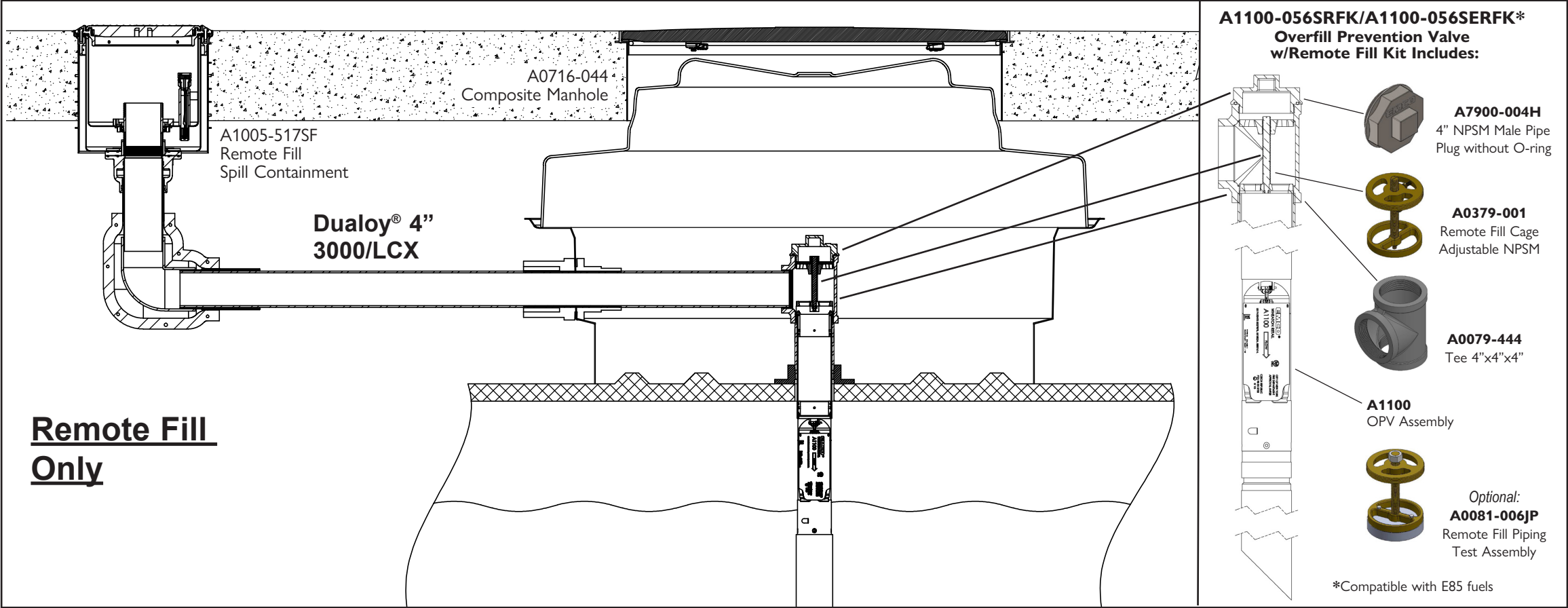
Remote Fill Piping Systems

A1005-517SF (5 gal) A1005-616SF (15 gal) Glass-On Spill Containment

- Creates true double wall containment from spill bucket to the piping run
- Assembly comes complete with stub, ready for installation into the elbow and clamshell
3" or 4" double wall Dualoy® 3000/LCX OR
3" or 4" single wall Red Thread®
- 5 Gallon - Primary and secondary containment vessels are rust-proof stainless steel
15 Gallon - Primary containment is rust-proof stainless steel; secondary is polyethylene
- Water-resistant cast iron lid with built-in handle and exclusive triple wiper seal, meets H20 load rating
- Includes EZ-Gage for instant monitoring of interstitial space
- Never break concrete



ULC Listed
MH21149



IMPORTANT - Must use the supplied riser assemblies, A1100-055SRF or A1100-056SRF, as delivered, in order for the system to work properly and be vapor tight. Must also use for new installations or tank level retrofits that allow access to the top of the tank. The maximum burial depth with the supplied top nipple is 5' for slip-on spill containment; and 5 1/2' for thread-on spill containment. For deeper burial, call Emco Customer Service at 800-234-4394.