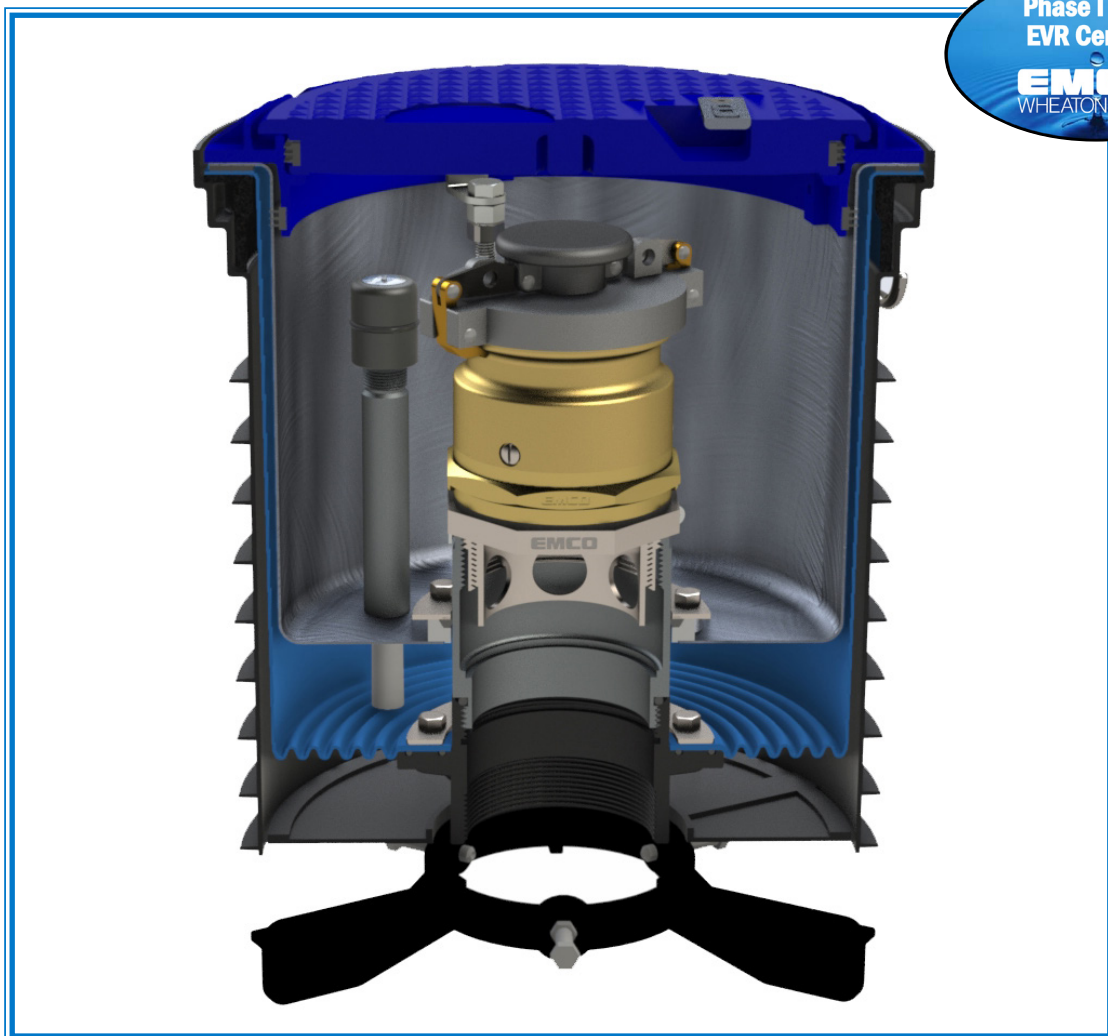


EMCO[®]

A1004/A1005
Stainless Steel
Spill Containment

Evolution

The Next Generation of Spill Containment



EMCO WHEATON RETAIL CORPORATION

2300 Industrial Park Dr. • Wilson, NC 27893 • 252-243-0150 • 252-243-4603 (fax) • www.emcoretail.com



A1004EVR-317SS

Stainless Steel Primary/Poly Secondary

Double Wall Stainless Steel Primary Poly Secondary

The Evolution Series spill container features a corrosion free stainless steel primary container and is customizable for varied customer preferences.

- Rust-proof stainless steel primary containment vessel eliminates failures due to punctures or abuse
- Screw-on style incorporates female stainless fittings to receive EVR riser seal for fill applications or male stainless fittings for vapor applications
- **Never break concrete again** - easily repair or replace primary unit from grade without breaking concrete
- Grade level spill containment, 5 gallon capacity
- Installs on 16" center/center tank bung spacing
- EZ-Gage to monitor interstitial space at a glance

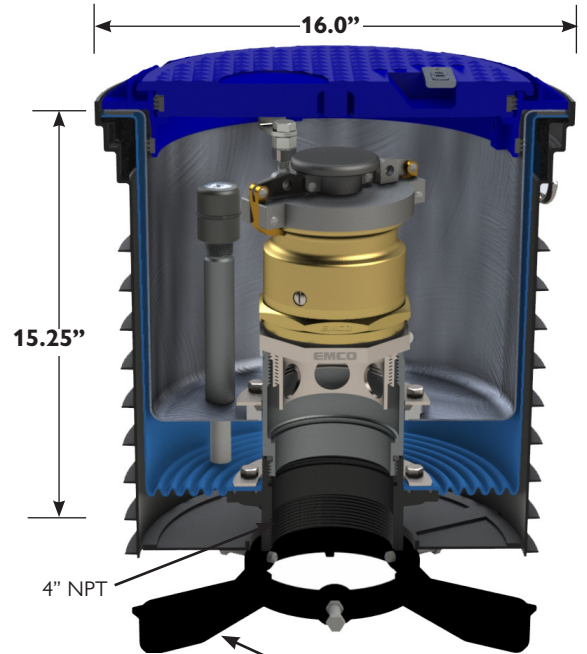
Select your desired features:

- Composite lid/stainless rim or cast iron lid/rim - water-resistant with built-in handle, exclusive triple wiper seal and vent valve. Meets AASHTO H20 wheel loading

Lid and rim available powder coated to API color specifications

- Powder coated or stainless steel fitting
- For fill applications: Available with stainless steel riser seal, fill cap and brass or nickel plated swivel adapter
- For vapor applications: Available with stainless steel nipple, vapor cap and brass or nickel plated swivel adapter

Contact Customer Service at 800-234-4394 for ordering information



Riser lock included to prevent the riser pipe from turning during subsequent removal and installation of the primary liner.

- CARB Phase I EVR Executive Order VR-105
- ULC Listed MH21149
- Florida DEP #EQ-741
- NC DENR
- MO DNR



Protective cover shields rim and lid from concrete slurry



A1004-316LID-D
Ultra Low Sulfur Diesel



A1004-316LID-R
Regular



A1004-316LID-V
Vapor



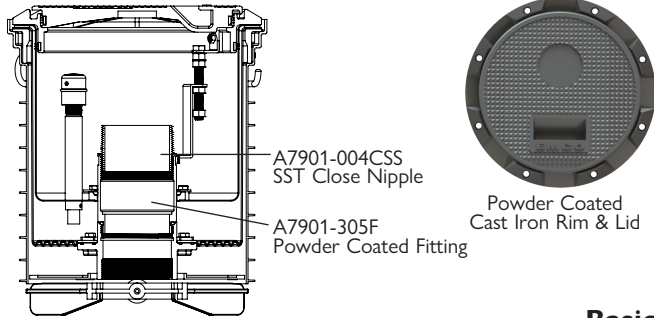
A1004-316LID-DEF
DEF



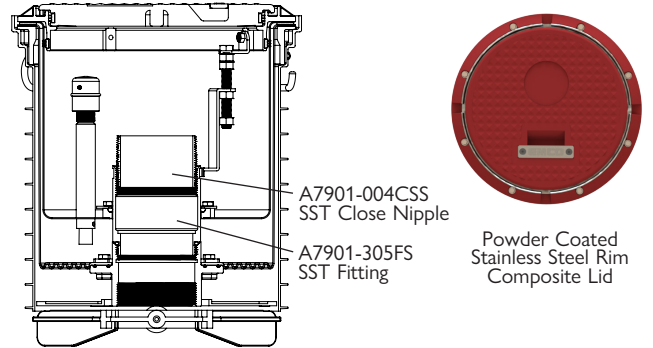
A1004-316LID-U
Ultra/Premium

Evolution

Cast Iron Rim & Lid



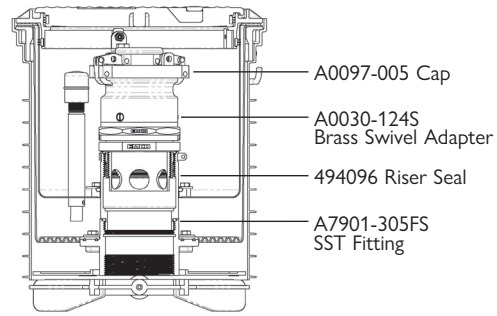
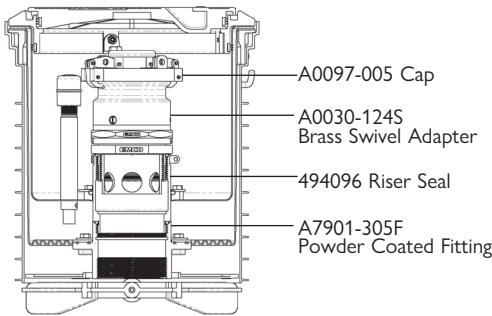
Stainless Steel Rim/Composite Lid



Basic

Model No.	Rim/Lid	A0996 ID Tag
A1004EVR-317SS100	Black	----
A1004EVR-317SS101	White	Regular
A1004EVR-317SS102	Red	Premium
A1004EVR-317SS103	Yellow	Diesel
A1004EVR-317SS104	Orange	Vapor
A1004EVR-317SS107	White	E0

Model No.	Rim/Lid	A0996 ID Tag
A1004EVR-317SS200	Not Coated	----
A1004EVR-317SS201	White	Regular
A1004EVR-317SS202	Red	Premium
A1004EVR-317SS203	Yellow	Diesel
A1004EVR-317SS204	Orange	Vapor
A1004EVR-317SS206	Bronze	E85
A1004EVR-317SS207	White	E0
A1004EVR-317SS209	Blue	DEF

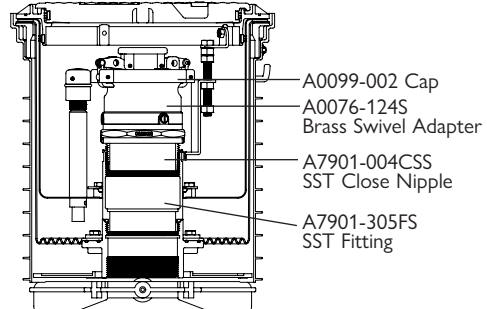
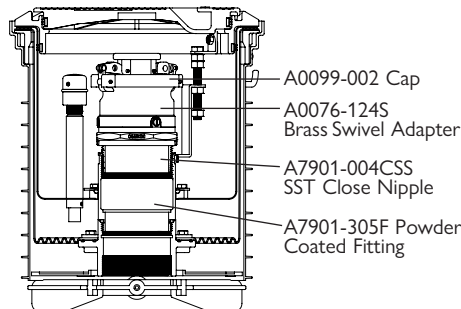


Fill Applications

Model No.	Rim/Lid	A0996 ID Tag
A1004EVR-317SS1B0	Black	----
A1004EVR-317SS1B1	White	Regular
A1004EVR-317SS1B2	Red	Premium
A1004EVR-317SS1B3	Yellow	Diesel
A1004EVR-317SS1B7	White	E0

Model No.	Rim/Lid	A0996 ID Tag
A1004EVR-317SS2B0	Not Coated	----
A1004EVR-317SS2B1	White	Regular
A1004EVR-317SS2B2	Red	Premium
A1004EVR-317SS2B3	Yellow	Diesel
A1004EVR-317SS2D6*	Bronze	E85
A1004EVR-317SS2B7	White	E0

*Includes nickel plated swivel adapter



Vapor Applications

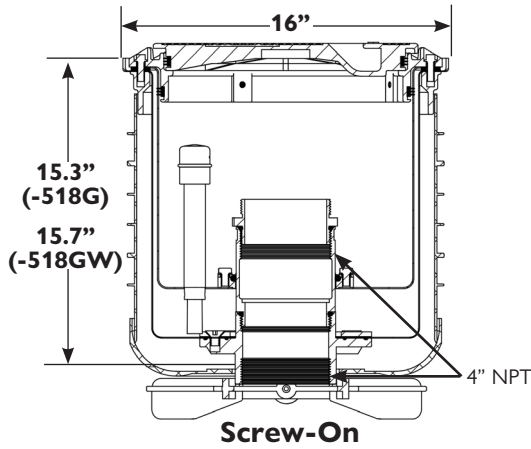
Model No.	Rim/Lid	A0996 ID Tag
A1004EVR-317SS140	Black	----
A1004EVR-317SS144	Orange	Vapor

Model No.	Rim/ Lid	A0996 ID Tag
A1004EVR-317SS240	Not Coated	----
A1004EVR-317SS244	Orange	Vapor

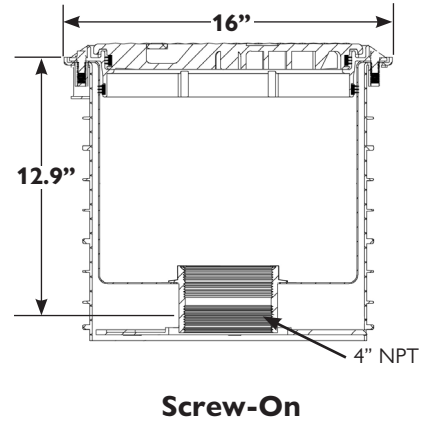
A1005-517/-518

Stainless Steel Spill Containment

Double Wall Stainless Steel Primary & Secondary

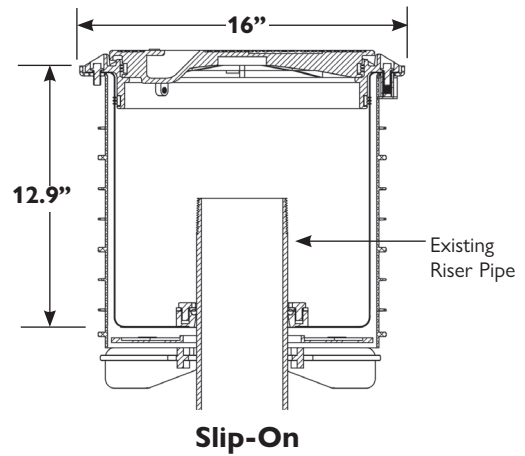
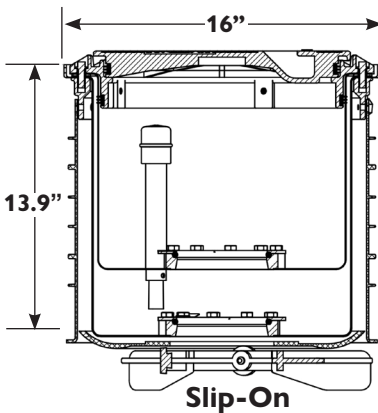


Single Wall Stainless Steel



Model No.	Description
A1005-518G	DW stainless steel, cast iron secondary base, female 4" fitting, male coupling, gauge, cast iron rim & lid
A1005-518GW	DW all stainless steel, welded base, stainless steel female 4" fitting, male coupling, gauge, stainless steel rim/composite lid

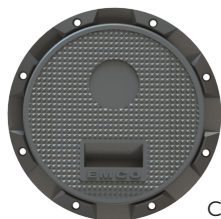
Model No.	Description
A1005-518A	SW stainless steel, welded base, cast iron rim & lid
A1005-518AW	SW all stainless steel, welded base, stainless steel rim/composite lid
A1005-518AW-DEF	SW all stainless steel, welded base, blue stainless steel rim/composite lid w/DEF ID tag



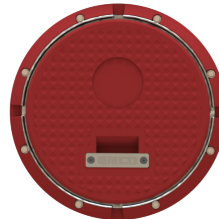
Model No.	Description
A1005-517G	DW stainless steel, gauge, cast iron rim & lid
A1005-517GW	DW all stainless steel, gauge, stainless steel rim/composite lid
A1005-517S-CM	DW stainless steel, sensor, cast iron rim & lid

Model No.	Description
A1005-517A	SW stainless steel, cast iron rim & lid
A1005-517AW	SW all stainless steel, stainless steel rim & composite lid
A1005-517AW-DEF	SW all stainless steel, blue stainless steel rim/composite lid w/DEF ID tag

Lid & Rim Options
Available powder coated to API color specifications



Cast Iron Rim & Lid



Stainless Steel Rim
Composite Lid

m ULC Listed MH21149
Florida DEP #EQ-24

Emco Wheaton Retail Corporation

2300 Industrial Park Dr., Wilson, NC 27893 • 252-243-0150 • 252-243-4603 (fax) • www.emcoretail.com