



A1005-505

Stainless Steel Spill Containment
Retrofit for Competitor Buckets

Convert your Damaged Poly Bucket To State-of-the-Art Stainless Steel *No Excavation Required*

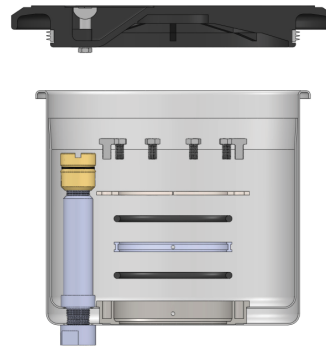


A1005-505CPWE
Retrofit for OPW
1C-3112P Series



A1005-505CFD
Retrofit for Franklin
705555 Series

- The containment vessel completely isolates the existing containment; the lid seals inside the stainless steel vessel
- Water-resistant cast iron lid with built-in handle and exclusive triple wiper seal, meets AASHTO H20 wheel loading
- US Patent 8,425,145 B2; other patents pending



Cast Iron Cover with
Triple Wiper Seal

Stainless Steel
Containment Vessel
Stainless Steel Bolts

EZ-Gage (Double Wall)

Flange
O-ring Seals

Approvals

ULC Listed MH21149
Florida DEP EQ-753; EQ-764R (Double Wall)
North Carolina DENR
PEMEX PXR-SC-GVES-SAFP-SPTF-80-2013

Model No.	Description	Repairs
A1005-505CPWE	Double Wall	OPW 1C-3112P
A1005-505CPWESW	Single Wall	OPW 1C-3101P
A1005-505CFD	Double Wall	Franklin 705555
A1005-505CFDSW	Single Wall	Franklin 705545

**Available in Double
Wall and Single Wall**