

**EMCO®**

**A1005-764-2001  
Remote Fill Vault**

**Double Wall  
Stainless Steel Protection**



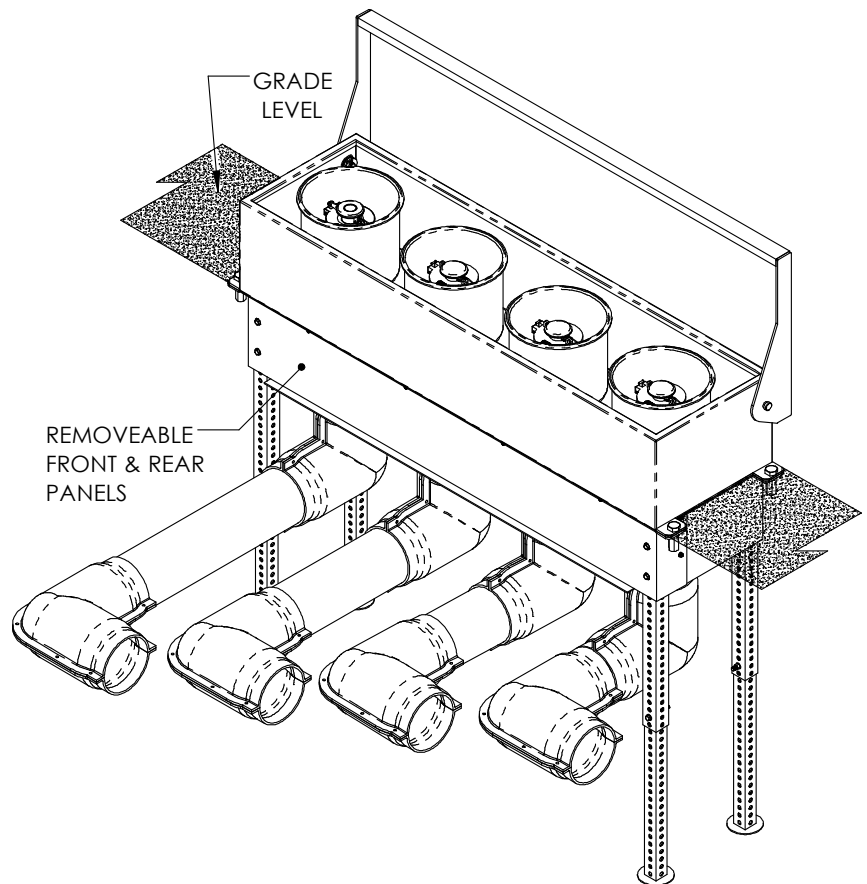
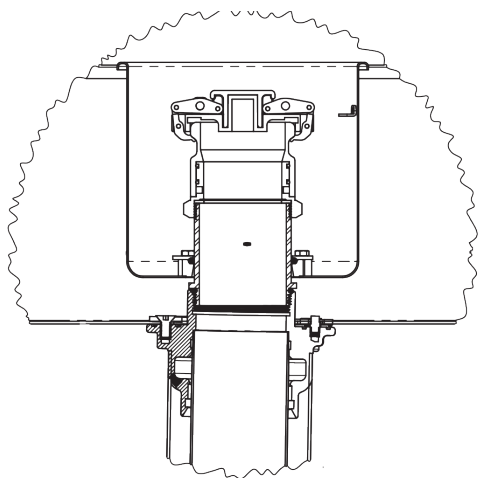
**EMCO WHEATON RETAIL CORPORATION**

2300 Industrial Park Drive • Wilson, North Carolina 27893  
252-243-0150 • 252-243-4603 (fax) • [www.emcoretail.com](http://www.emcoretail.com)



# A1005-764-2001 Remote Fill Vault

- Double wall spill containment
- All stainless steel construction
- Adjustable leg height (from 2 ft. to 4 ft.) positions the spill container at grade level for installation of piping and backfilling
- Removable stainless steel skirt for ease of installation
- Hinged lid for easy access
- Available options:
  - Lockable lid
  - Custom sizes available for 2-5 containment sumps
- UL 2583 Approved (MH46838)



**Emco Wheaton Retail Corporation**

2300 Industrial Park Drive • Wilson, North Carolina 27893 • 252-243-0150 • 252-243-4603 (fax) • [www.emcoretail.com](http://www.emcoretail.com)