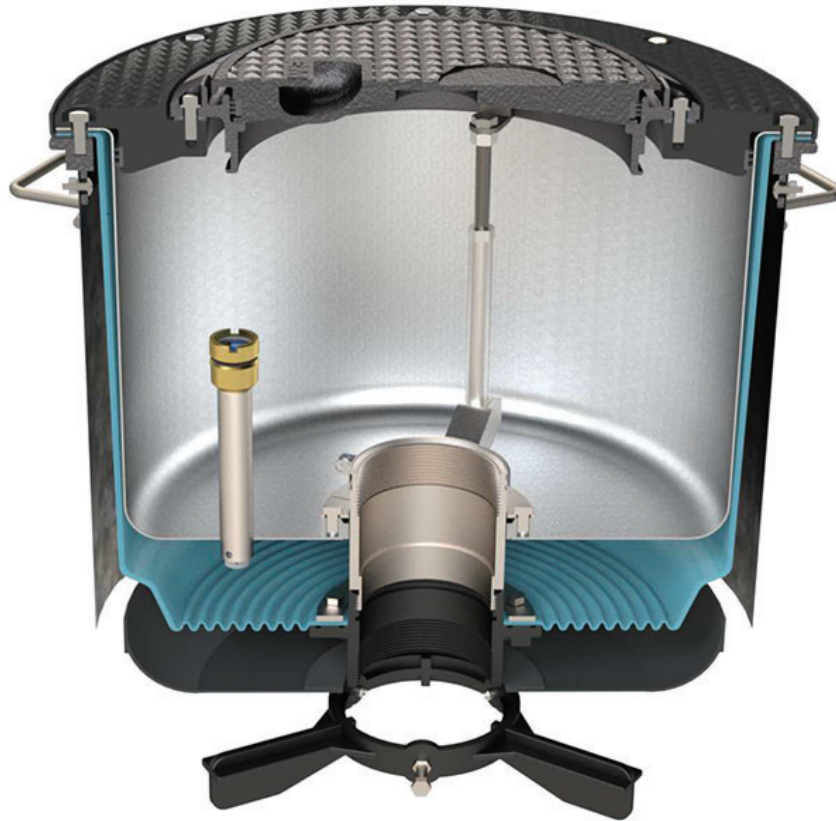




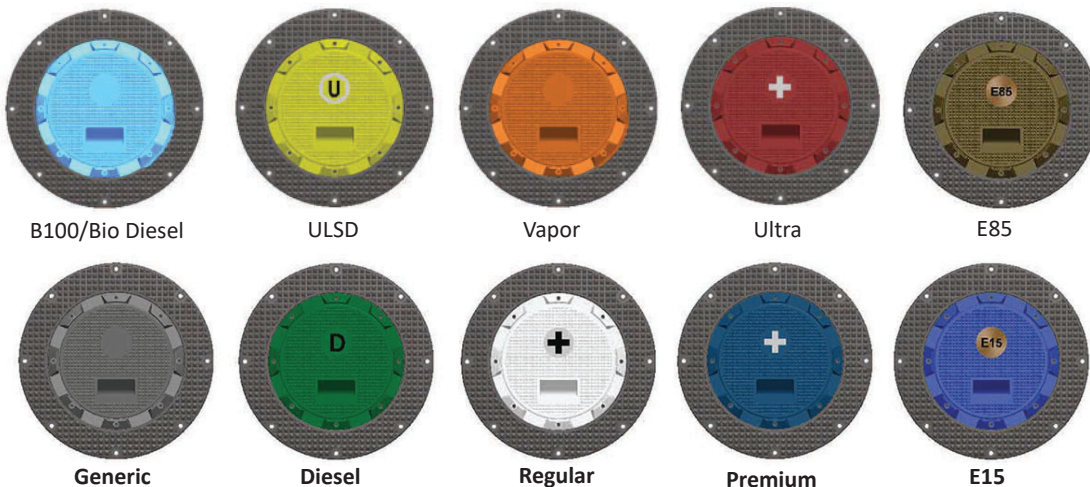
# 15 Gallon Spill Containment



## ***Never Break Concrete Again***

Easily repair or replace primary and secondary units from grade without breaking concrete.

## ***Color Coded Lids & Rims Available***



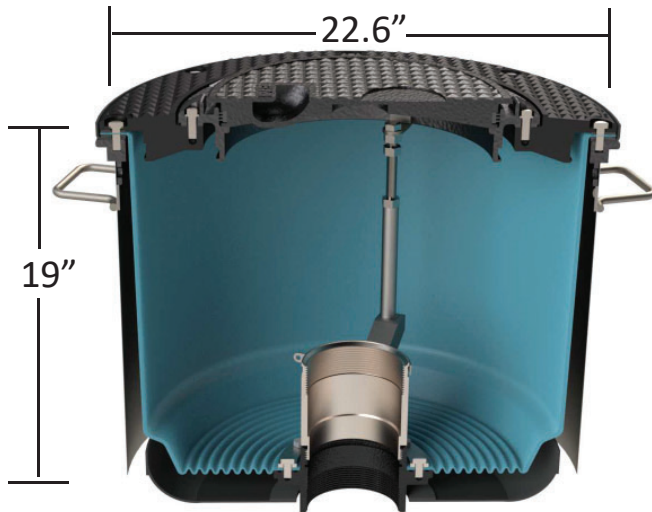
***Engineering Customer Satisfaction™***



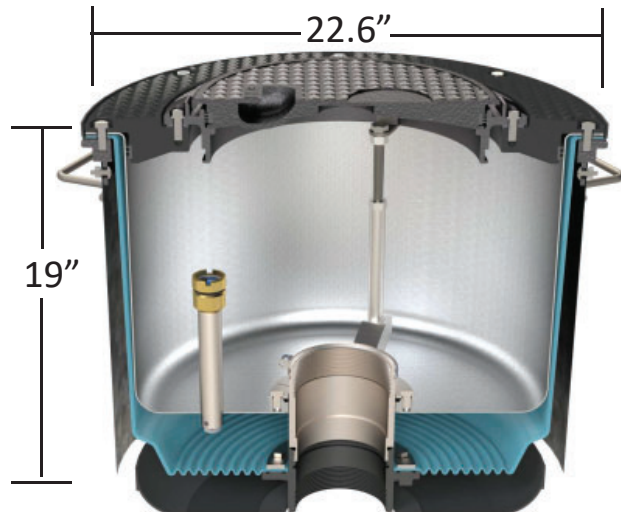
The **A1004EVR-216 Series** spill containers are Phase I EVR Certified under Executive Order VR-105.

### Single Wall Thread On

### Double Wall Thread On



**A1004EVR-216A**



**A1004EVR-216SJ**

**Standard Description:**

Single wall, HDPE bellows, Screw-on, Cast iron lid/rim [Black] Cast iron riser lock, No drain.

**Standard Description:**

Double wall, Stainless steel primary/HDPE secondary, Screw-on, Cast iron lid/rim [Black], + Brass EZ gage & Cast iron riser lock, No drain.

Model No.	Description
A1004EVR-216A ●	As above

Model No.	Description
A1004EVR-216SJ ●	As Above
A1004EVR-216SJ-D ●	As above, plus Yellow [ULSD] lid/rim
A1004EVR-216SJ-R ○	As above, plus White [Regular] lid/rim
A1004EVR-216SJ-U ●	As above, plus Red [Ultra/Premium] lid/rim
A1004EVR-216SJ-V ●	As above, plus Orange [Vapor] lid/rim
A1004EVR-216SJC ●	As above, with Composite riser lock & SST base.
A1004EVR-216SJC-D ●	As above, plus Yellow [ULSD] lid/rim with Composite riser lock & SST base.
A1004EVR-216SJC-DG ●	As above, plus Green [Diesel] lid/rim with Composite riser lock & SST base.
A1004EVR-216SJC-E15 ●	As above, plus Blue [E15] lid/rim with Composite riser lock & SST base.
A1004EVR-216SJC-E85 ●	As above, plus Bronze [E85] lid/rim with Composite riser lock & SST base.
A1004EVR-216SJC-R ○	As above, plus White [Regular] lid/rim with Composite riser lock & SST base.
A1004EVR-216SJC-U ●	As above, plus Red [Ultra/Premium] lid/rim with Composite riser lock & SST base.
A1004EVR-216SJC-UB ●	As above, plus Dark Blue [Premium] lid/rim with Composite riser lock & SST base.

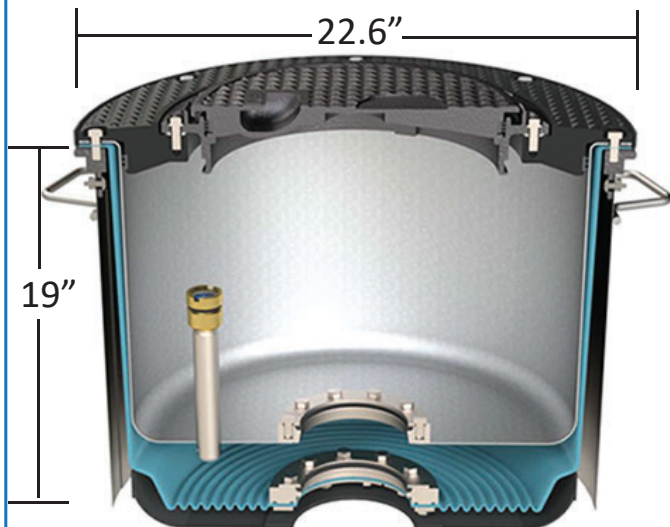


All variants meet AASHTO H20 Load rating.

*Note: spill containment for New Hampshire requires the addition of the Telescoping EZ Gage A1004-001GAGE.*



## Double Wall Slip On



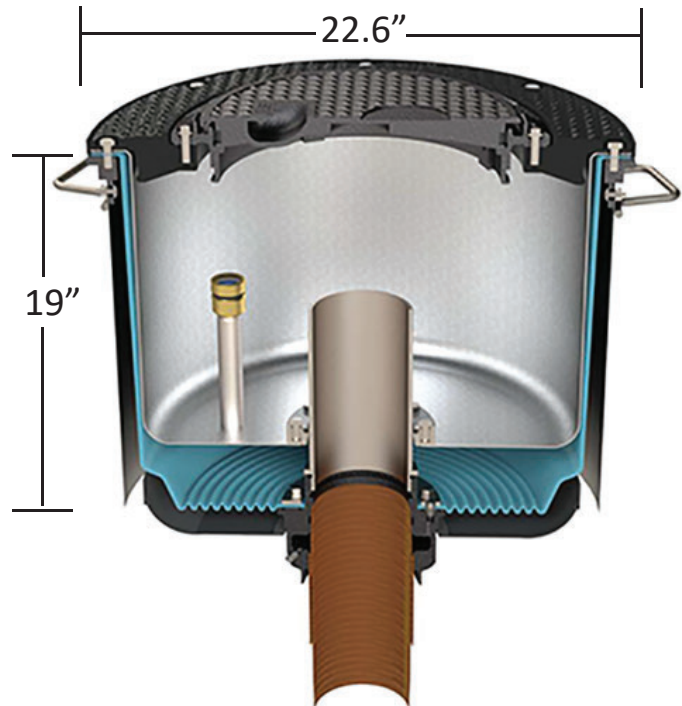
### A1005-616RD

**Standard Description:**

Double wall, Slip-on, Stainless steel primary/HDPE Secondary, No drain, Cast iron lid/rim [Black], + Brass EZ gage, & Cast iron riser lock.

Model No.	Description
A1005-616RD	As above
A1005-616P	As above, plus A0333-002 hand pump.

## Double Wall Glass On



### A1005-616SF4

**Standard Description:**

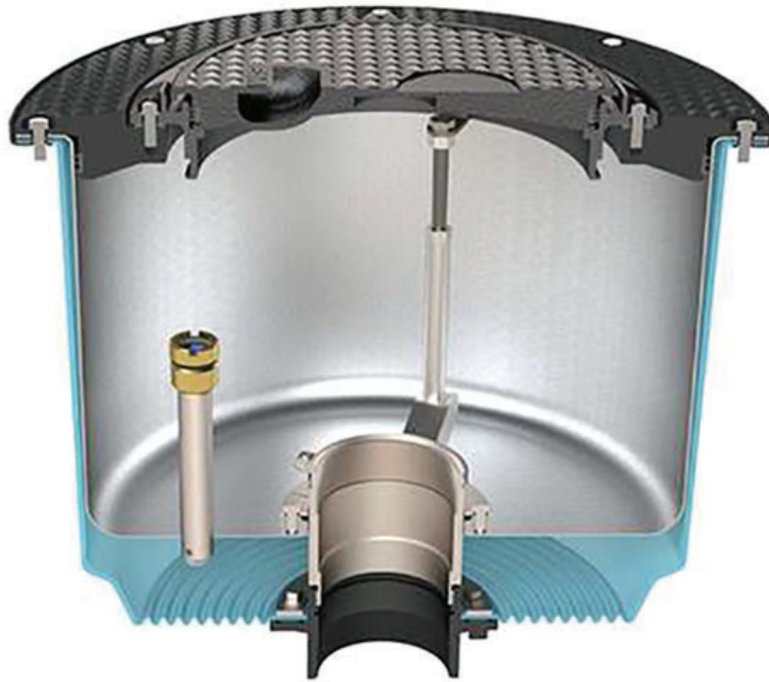
Double wall, Glass-on, Remote Fill, Stainless steel primary/HDPE Secondary, No drain, Cast iron lid/rim [Black] + Brass EZ gage & 4" LCX stub.



Model No.	Description
A1005-616SF4	As above
A1005-616SF4-D	As above, plus Yellow [Diesel/ULSD] lid/rim.
A1005-616SF4-E	As above, plus Bronze [E85] lid/rim.
A1005-616SF4-R	As above, plus White [Regular] lid/rim.
A1005-616SF4-U	As above, plus Red [Ultra/Premium] lid/rim.
A1005-616SF4-B	As above, plus Light Blue [Bio Diesel] lid/rim.
A1005-616SF4X-D	As above, plus swivel fill adapt [A0030-124S] & fill cap [A0097-005].
A1005-616SF4X-E	As above, plus Bronze [E85] lid/rim w/swivel fill adapt [A0030-124S] & fill cap [A0097-005].
A1005-616SF4X-R	As above, plus White [Regular] lid/rim w/swivel fill adapt [A0030-124S] & fill cap [A0097-005].
A1005-616SF4X-U	As above, plus Red [Ultra/Premium] lid/rim w/swivel fill adapt [A0030-124S] & fill cap [A0097-005].
A1005-616SF3X	As above, plus Black [Generic] lid/rim, with 3" LCX stub.

**Replace your old style A1004EVR-215S with a complete double wall upgrade.**

## 494660EVR-S



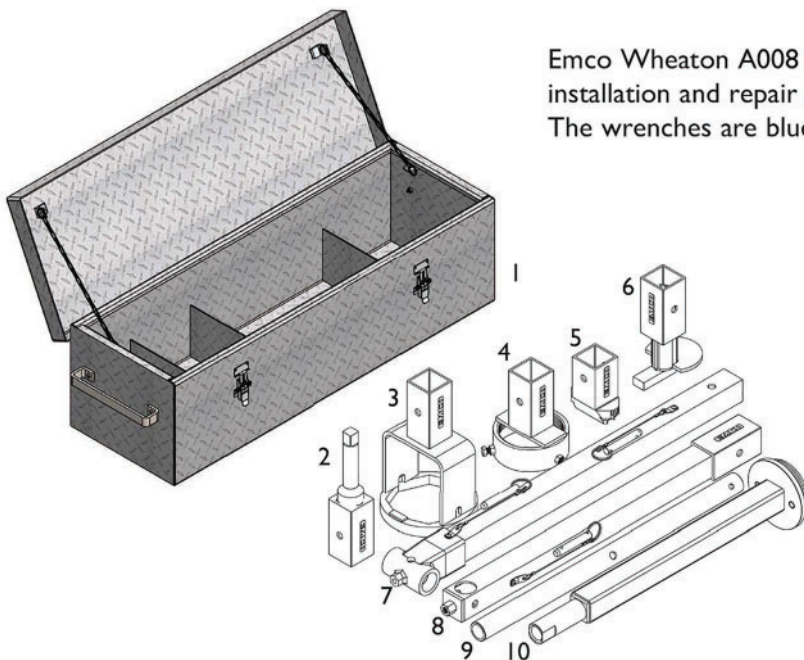
### Universal double wall repair kit.

Includes:

- Primary & secondary replacements
- Cast iron lid /rim
- 569210A rim adapter plate
- Interstitial gage

## Spill Containment Tools:

Emco Wheaton A0081 Wrenches are specially designed for the installation and repair of Emco spill containers and adapters. The wrenches are blue powder coated, steel construction.



- |    |                 |                                 |
|----|-----------------|---------------------------------|
| 1  | A0081-001TB     | Tool Box                        |
| 2  | A0081-009B      | Chain Wrench Adapter Bit        |
| 3  | A0081-001B      | Swivel Adapter Bit              |
| 4  | A0081-003B      | Pipe Nipple Extractor Bit       |
| 5  | A0081-001LB     | Lug Adapter Bit                 |
| 6  | A0081-001HB     | Spill Container (w/Drain) Bit   |
| 7  | A0081-001D      | Drive Shaft                     |
| 8  | A0081-001A      | Drive Shaft Extension           |
| 9  | A0081-001X      | Cross Bar                       |
| 10 | A0081-003MB     | Spill Container (w/o Drain) Bit |
|    | A0081-001SET-NB | Standard Tool Kit w/o Tool Box  |