



A0031-200S ADAPTER EXTENSION

NOW CARB APPROVED!

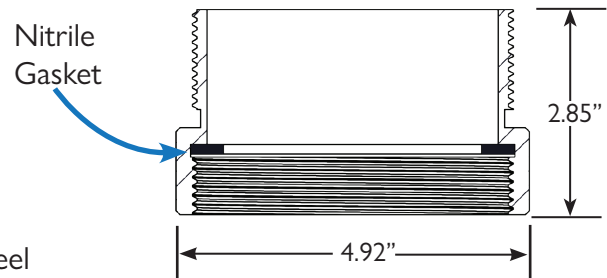
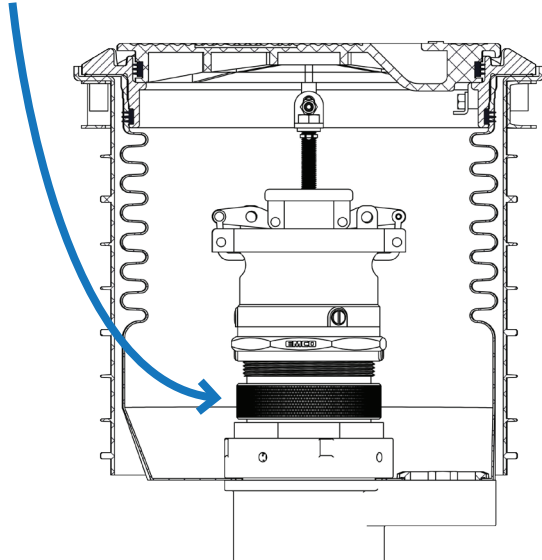


E.O. VR-105



A0031-200S Stainless Steel Adapter Extension

A0031-200S 2" Extension



Raise your adapter 2" closer to grade. This stainless steel adapter extension installs in your spill container with a 4" NPSM female thread sealed by a Nitrile flat gasket. The top 4" NPSM male threads accept a product/vapor adapter. The Emco Wheaton A0031-200S Stainless Steel Adapter Extension is designed for use with top or remote fill phase I EVR system applications.

MATERIALS Body: Stainless Steel
Gasket: Nitrile

PART NUMBER	INSTALLED HEIGHT	TOP THREADS	BOTTOM THREADS	WEIGHT
A0031-200S	2.00"	4" NPSM Male	4" NPSM Female	1.7 lbs.