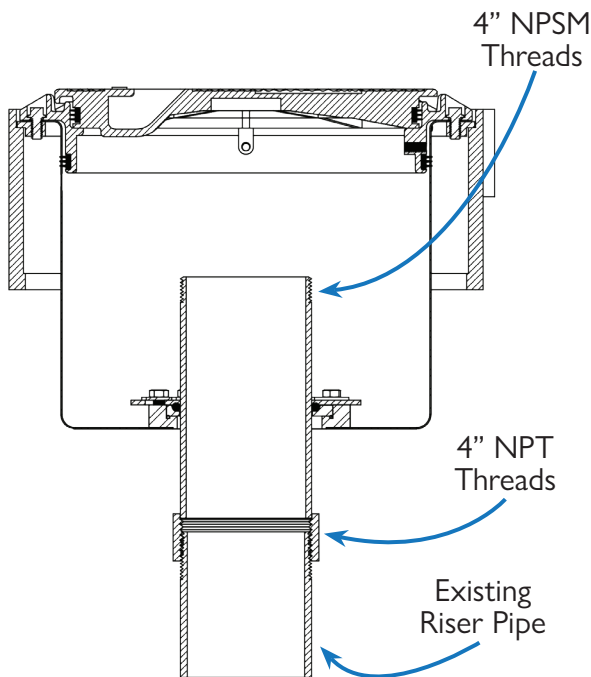
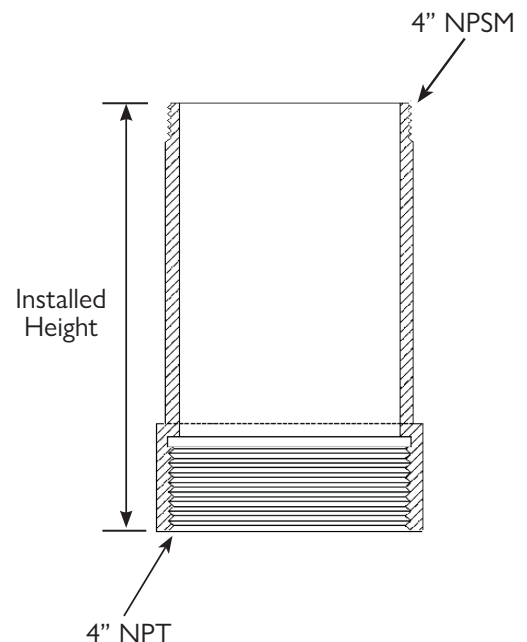


The Emco Wheaton A0031 Riser Adapters are designed primarily to accommodate Emco retrofit spill containment. These riser adapters seal against an existing riser pipe with a 4" NPT female thread. The additional length of these riser adapters provide an Emco A1005-505 retrofit insert a clean surface to seal against. The riser adapters then terminate with a 4" NPSM male thread for a fill or vapor adapter. Emco A0031 Riser adapters are constructed from Zinc-plated steel.



A0031 Riser Adapter



PART NUMBER	INSTALLED HEIGHT	WEIGHT
A0031-450	4.50"	4.1 lbs.
A0031-625	6.25"	4.4 lbs.
A0031-725	7.25"	6.4 lbs.
A0031-825	8.25"	7.9 lbs.
A0031-900	9.00"	9.0 lbs.