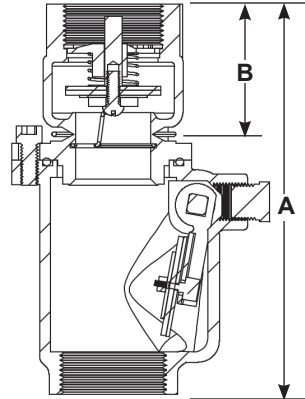


# EMCO®

Approved for  
E85, DEF, Ultra Low  
Sulfur Diesel & Biodiesel  
Blends up to B100

# A0060

## Stainless Steel Emergency Shear Valve



### Materials

Body: Stainless Steel

Spring: Stainless Steel

Seal: Viton®

Viton® is a registered trademark of Chemours.

### Approvals

UL MH6518



ATEX FTZÚ14ATEX0204

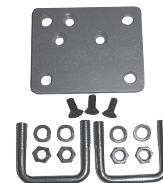


**Guide Specification:** Emergency shut off valve for installation under gasoline dispensing units. Incorporates a replaceable shear section and a heat sensitive fusible link assembly. Valve can be manually operated to facilitate dispenser maintenance and incorporates a 3/8" test port. Closing poppet assembly is positioned out of the fuel flow path to minimize pressure drop. The A0060 utilizes a standard three boss mounting arrangement. Available in single poppet and double poppet configurations.

Model No.	Description	Inlet	Outlet	Weight	A	B
A0060-002S	1 1/2" Single Poppet	Female	Male	6.4 lbs.	6.9"	2.2"
A0060-003S	1 1/2" Single Poppet	Female	Female	6.3 lbs.	6.7"	1.7"
A0060-015S	1 1/2" Single Poppet	Female BSPT	Male BSPT	6.4 lbs.	7.9"	3.2"
A0060-016S	1 1/2" Single Poppet	Female BSPT	Female BSPT	6.3 lbs.	6.9"	2.2"
A0060-022S	1 1/2" Double Poppet	Female	Male	6.7 lbs.	7.9"	3.2"
A0060-023S	1 1/2" Double Poppet	Female	Female	6.4 lbs.	6.9"	2.2"
A0060-025S	1 1/2" Double Poppet	Female BSPT	Male BSPT	6.7 lbs.	7.9"	3.2"
A0060-026S	1 1/2" Double Poppet	Female BSPT	Female BSPT	6.4 lbs.	6.9"	2.2"

### Replacement Parts

Part No.	Description	Outlet	Weight
492938S	1 1/2" Replacement Top; 1 Poppet	Male	2.5 lbs.
492939S	1 1/2" Replacement Top; 1 Poppet	Female	2.6 lbs.
493885S	1 1/2" Replacement Top; 1 Poppet	Female BSPT	1.6 lbs.
493886S	1 1/2" Replacement Top; 1 Poppet	Male BSPT	1.8 lbs.
493887S	1 1/2" Replacement Top; 2 Poppets	Male	3.0 lbs.
493888S	1 1/2" Replacement Top; 2 Poppets	Female	3.0 lbs.
493889S	1 1/2" Replacement Top; 2 Poppets	Male BSPT	1.8 lbs.
493890S	1 1/2" Replacement Top; 2 Poppets	Female BSPT	1.8 lbs.
492963K	Fusible Link Kit		0.2 lbs.
564036	Control Arm		
A0065-001	Optional Stabilizer Bar Mounting Kit		3.8 lbs.



A0065  
Mounting Kit

### Emco Wheaton Retail Corporation

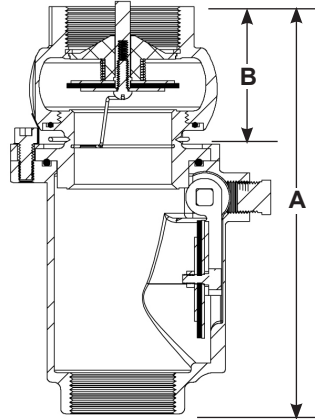
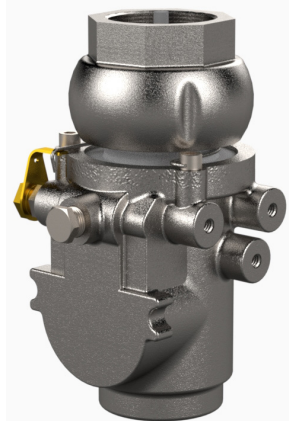
2300 Industrial Park Drive • Wilson, North Carolina 27893 • 252-243-0150 • 252-243-4603 (fax) • www.emcoretail.com



Approved for  
Biodiesel Blends  
up to B100

# A0060

## 2" Stainless Steel Emergency Shear Valve



### Materials

Body: Stainless Steel  
Spring: Stainless Steel  
Seal: Nitrile

### Approvals

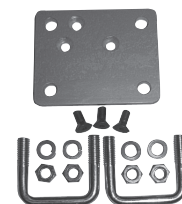
UL Listed MH6518 Classified to  
UL842B Diesel and Biodiesel

**Guide Specification:** 2" Emergency double poppet shut off valve for installation under gasoline or diesel dispensing units. Incorporates a replaceable shear section and a heat sensitive fusible link assembly. Valve can be manually operated to facilitate dispenser maintenance and incorporates a 3/8" test port. Closing poppet assembly is positioned out of the fuel flow path to minimize pressure drop. The A0060 utilizes a standard three boss mounting arrangement. Single and double poppet variants available.

Model No.	Description	Inlet	Outlet	Lbs.	A	B
A0060-202S	2" Single Poppet NPT	Female	Male	7.5	9.7"	4.0"
A0060-203S	2" Single Poppet NPT	Female	Female	7.1	8.4"	2.7"
A0060-222S	2" Double Poppet NPT	Female	Male	7.7	9.7"	4.0"
A0060-223S	2" Double Poppet NPT	Female	Female	7.5	8.4"	2.7"
A0060-215S	2" Single Poppet BSPT	Female	Male	7.5	9.7"	4.0"
A0060-216S	2" Single Poppet BSPT	Female	Female	7.1	8.4"	2.7"
A0060-225S	2" Double Poppet BSPT	Female	Male	7.7	9.7"	4.0"
A0060-226S	2" Double Poppet BSPT	Female	Female	7.5	8.4"	2.7"

### Replacement Parts

Part No.	Description	Outlet	Lbs.
495651	2" Replacement Top; 1 Poppet NPT	Male	3.1
495650	2" Replacement Top; 1 Poppet NPT	Female	2.7
495649	2" Replacement Top; 2 Poppet NPT	Male	3.3
495657	2" Replacement Top; 2 Poppet NPT	Female	2.9
495668	2" Replacement Top; 1 Poppet BSPT	Male	3.1
495669	2" Replacement Top; 1 Poppet BSPT	Female	2.7
495670	2" Replacement Top; 2 Poppet BSPT	Male	3.3
495671	2" Replacement Top; 2 Poppet BSPT	Female	2.9
492963K	Fusible Link Kit		0.2
572417	Control Arm		
A0065-001	Optional Stabilizer Bar Mounting Kit		3.8



A0065  
Mounting Kit

### Emco Wheaton Retail Corporation

2300 Industrial Park Drive • Wilson, North Carolina 27893 • 252-243-0150 • 252-243-4603 (fax) • www.emcoretail.com