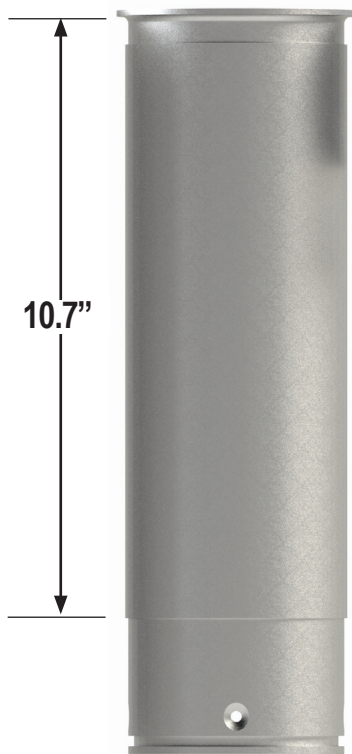




20.7"

493734SXXL

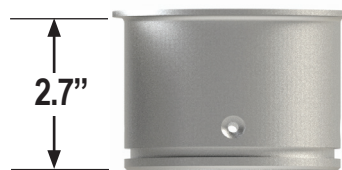
Extend your drop tube up to 18" after removal of the existing collar.



10.7"

493734SXL

Extend your drop tube up to 8" after removal of the existing collar.



2.7"

493734E
Standard collar kit.

MATERIALS

Body: Aluminum

Seal: Viton®

Viton® is a registered trademark of DuPont Dow Elastomers



All collar kits include: (6) rivets, (2) o-rings, Seal-all sealant, indent tool, drill fixture, stainless steel extension spring and warning plate