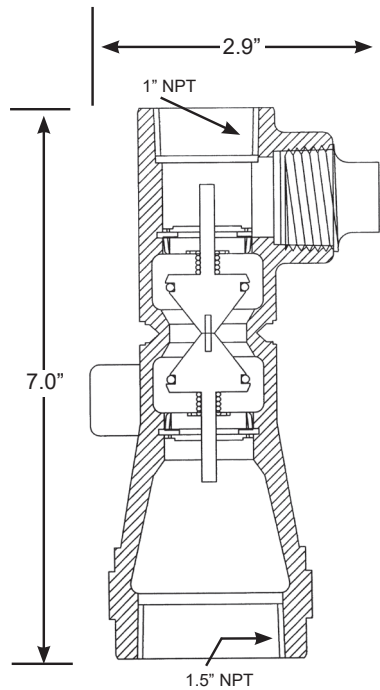


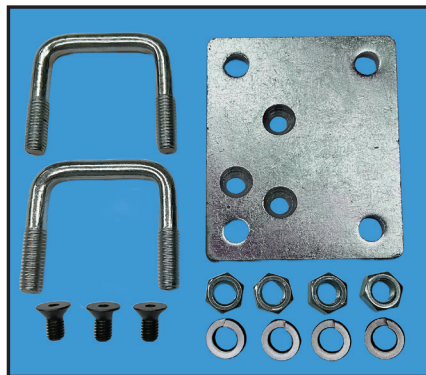
Approved for use with all CARB Certified Phase II Vapor Recovery Systems, Pre-EVR and EVR



Installation Hardware Included: 5 anchoring bolts, washers and nuts.

### A0065-001

The A0065-001 is an accessory mounting kit used to mount the A0063 + A0060 model shear valves to the dispenser pan stabilizer bar.



Model No.	Description
A0063EVR-024	Vapor Shear Valve, EVR, 1" NPT x 1.5" NPT, Double Poppet, Powdercoated Black

**Guide Specification:** A0063EVR-024 Vapor Shear Valve installs on vapor recovery lines under the dispenser to eliminate the escape of vapors in the event of a collision to the dispenser. 1.5" female NPT connection to underground piping; 1" female NPT connection to dispenser piping. Double poppet.

**MATERIALS**  
**Body:** Cast Iron  
**Spring:** Stainless Steel  
**Seal:** Viton®  
 Viton® is a registered trademark of DuPont Dow Elastomers.