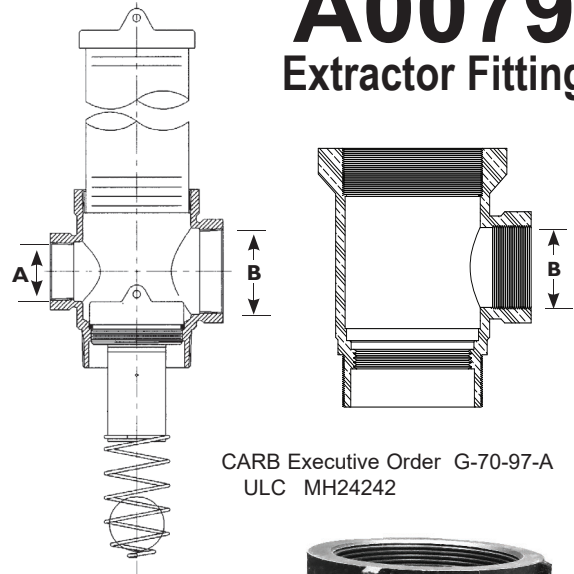




A0079 Extractor Fitting

The Emco Wheaton A0079 Extractor Assembly consists of a cast iron extractor body and an internal "bar style" cage. This cage holds any length of A0075 Ball Float (sold separately). The A0079 may be ordered with a variety of port combinations to accommodate tank venting and Stage II vapor recovery piping. The A0079 is also available without an extractor cage.

The A0079 may be installed as part of the Emco Phase I EVR System without violating the Executive Order (VR-105)



CARB Executive Order G-70-97-A
ULC MH24242

Cross Style

Model No.	Top/Bottom Threads	Outlet Threads A & B	Cage Thread	Lbs.
Extractor with Cage				
A0079-019	4" NPT	3" x 2" NPT	2" NPSM	11.9
A0079-020	4" NPT	2" x 2" NPT	2" NPSM	10.7
A0079-025	4" NPT	3" x 3" NPT	2" NPSM	12.0
Extractor Body only				
A0079-050	4" NPT	2" x 2" NPT	N/A	8.5
A0079-051	4" NPT	3" x 2" NPT	N/A	10.8
A0079-051SS**	4" NPT	3" x 2" NPT	N/A	12.1
A0079-052	4" NPT	3" x 3" NPT	N/A	11.8

Tee Style

Model No.	Top/Bottom Threads	Outlet Threads B	Cage Thread	Lbs.
Extractor with Cage				
A0079-119	4" NPT	3" NPT	2" NPSM	8.5
A0079-120	4" NPT	2" NPT	2" NPSM	10.7
Extractor Body only				
A0079-150	4" NPT	2" NPT	N/A	7.1
A0079-150SS**	4" NPT	2" NPT	N/A	10.9
A0079-152	4" NPT	3" NPT	N/A	8.7
A0079-444*	4" NPT	4" NPT	N/A	8.7
A0079-444M* (male base)	4" NPT	4" NPT	N/A	10.1
A0079-444SS* **	4" NPT	4" NPT	N/A	12.5

*Used in remote fill applications only, does not support a cage

**Stainless steel; replaces nickel plated versions

Material:

Extractor Body: Cast Iron

Extractor Body SS Variants: Stainless Steel for compatibility with E85 fuels

Optional Items:

Extractor wrench - A0560-003

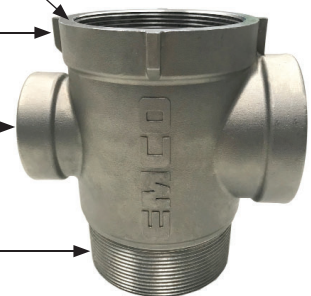


Stainless Steel

Wrench Lugs

Thicker Inlet Ports For Added Strength

Full 4" NPT Thread



The Emco Wheaton **A0179 2" Extractor Cage** is compatible with the Emco Wheaton A0079 Extractor Valve and A0075 Ball Float.



The Emco Wheaton **A0279 Extractor Cage Test Plug** is designed for performing pressure decay tests on your underground piping and storage tank systems.