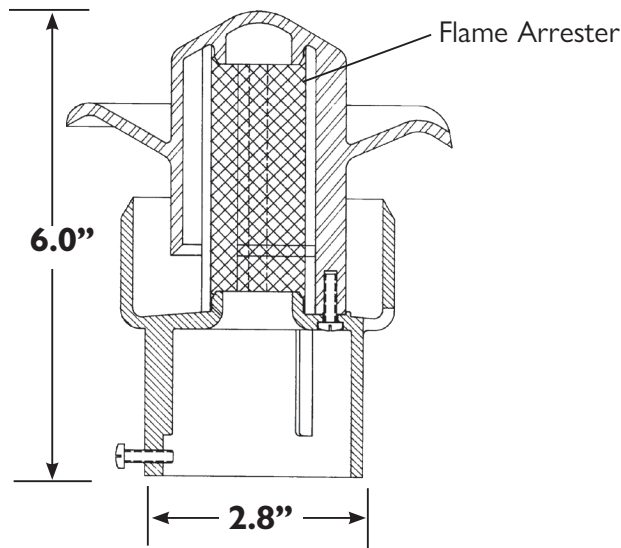


MATERIALS
Body: Polyethylene
Cap: Polyethylene
Screws: Steel
Screen: 40 Mesh Stainless Steel



A4103-002
Upward
"V" Vent

The Emco Wheaton A4103 Upward "V" Vent utilizes a straight-up "V" design to rapidly disperse vapors. Slip-on style vent attaches to either pipes with three screws 1.5" or 2". Screen can be easily removed for cleaning. Designed in accordance with NFPA 30.

- APPROVALS**
- UL 2583 Listed: MH 46838
 - Designed in Accordance with NFPA 30

PART NUMBER	DESCRIPTION	MATERIAL	SHIPPING DIMS	WEIGHT
A4103-002	Vent Upward "V" 1.5 & 2"	Polyethylene	5"x 5"x 6"	0.45 lb.