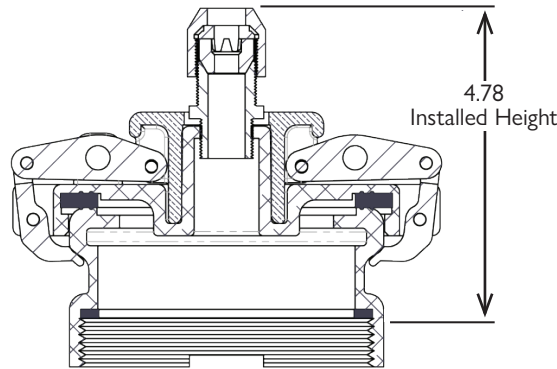


All Emco Tank Gauge Caps have a 4" NPSM female thread with a Nitrile seal. Additionally, each ATG cap accommodates wire diameters between 1/8" and 3/8".

**FEATURES/  
APPROVALS**

- EVR approved
- Removable cap provides easy access
- Fits Incon probe support plate



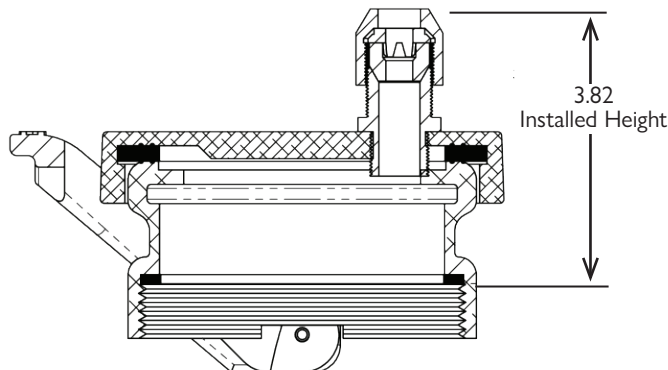
**A0097-010A**

Includes A0097-010 Tank Gauge Cap and A0030 Adapter with no lugs for pass-through ATG float



**FEATURES/  
APPROVALS**

- EVR approved
- Removable cap provides easy access
- Fits Incon probe support plate



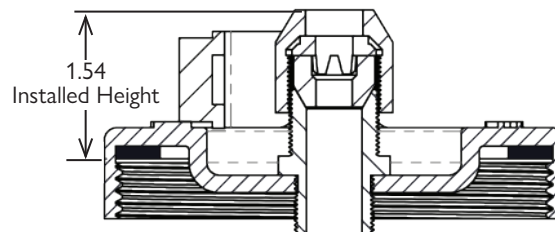
**A0097-010ALP**

Includes A0097-010LP Tank Gauge Cap and A0030 Adapter with no lugs for pass-through ATG float



**FEATURES/  
APPROVALS**

- EVR approval coming soon
- Most cost effective
- Less potential leak points
- Lowest profile



**A0585-003A**

One piece solution: no adapter needed

