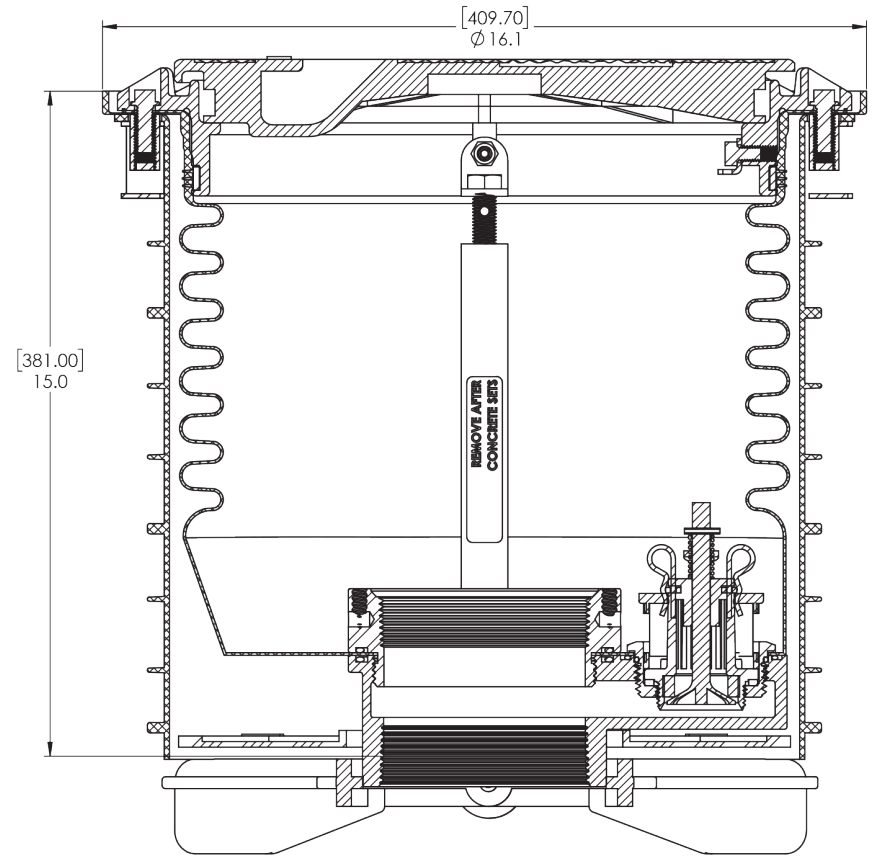
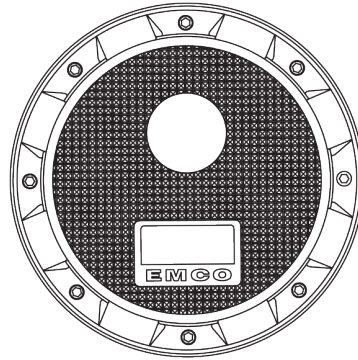


# A1004EVR-316A

## Single Wall Poly

### Spill Containment



#### Specifications

- Replaceable; easily repair or replace primary unit from grade without breaking concrete
- 5 gal capacity
- Screw-on
- Weights: Lid: 15.9 lbs; Total: 66 lbs

#### Materials

- Cast iron rim
- Cast iron lid; water resistant with built-in handle, exclusive triple wiper seal and vent valve

#### Application

- Grade level
- Installs 16" on center

#### Components

- Drain Valve

#### Approvals

- Phase I EVR Executive Order VR-105
- ULC Listed MH21149
- FL DEP # EQ-741
- NC DENR
- MO DNR
- Lid meets H20 Load Rating

#### Variant Part Numbers

Model No.	Rim/Lid	Adapter/Cap
A1004EVR-316A	Black	N/A
A1004EVR-316AX*	Black	Fill

\*Includes A0030-124S Fill Swivel Adapter and A0097-005 Fill Cap

©2019 Emco Wheaton Retail Corporation



EMCO WHEATON RETAIL CORPORATION  
2300 INDUSTRIAL PARK DRIVE  
WILSON, NC 27893

**DO NOT SCALE DRAWING-WORK TO DIMENSIONS SHOWN**  
DIMENSIONS ARE IN INCHES (DIMENSIONS IN BRACKETS ARE IN MILLIMETERS)

UNLESS OTHERWISE SPECIFIED		DRAWN BY	DATE	USED ON
DECIMALS .X ± .030 .XX ± .015 .XXX ± .005 ± 1"		NPC	6/11/2015	
ANGLES ± 1°		CHECKED BY	DATE	PROJECT NUMBER
CASTING TOLERANCES TO INDUSTRY STANDARDS MACHINED SURFACES 125 RMS REMOVE ALL BURRS		APPROVED BY	DATE	SCALE N/A
THE INFORMATION AND DESIGN DISCLOSED BY AND THE COPYRIGHT IN THIS DRAWING ARE THE PROPERTY OF EMCO WHEATON RETAIL CORP. AND CANNOT BE USED WITHOUT WRITTEN PERMISSION.		MATERIAL	DATE	WEIGHT
		SEE NOTE		CASTING NUMBER

PART NAME			
<b>SINGLE WALL 16" CENTER NPT W/ EVR DRAIN</b>			
SIZE	DRAWING NUMBER	PAGE	REV
A	A1004EVR-316A	10f1	E