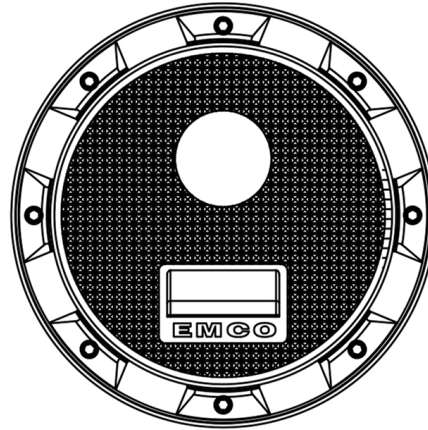


# A1004EVR-316S

## Double Wall Poly/Poly

### Spill Containment



#### Specifications

- Replaceable; easily repair or replace primary & secondary units from grade without breaking concrete
- 5 gal capacity
- Screw-on
- Weights: Lid: 15.9 lbs; Total: 84 lbs

#### Materials

- Cast iron rim
- Cast iron lid; water resistant with built-in handle, exclusive triple wiper seal and vent valve

#### Application

- Grade level
- Installs 16" on center

#### Components

- EZ-Gage to monitor interstitial space at a glance
- Drain Valve

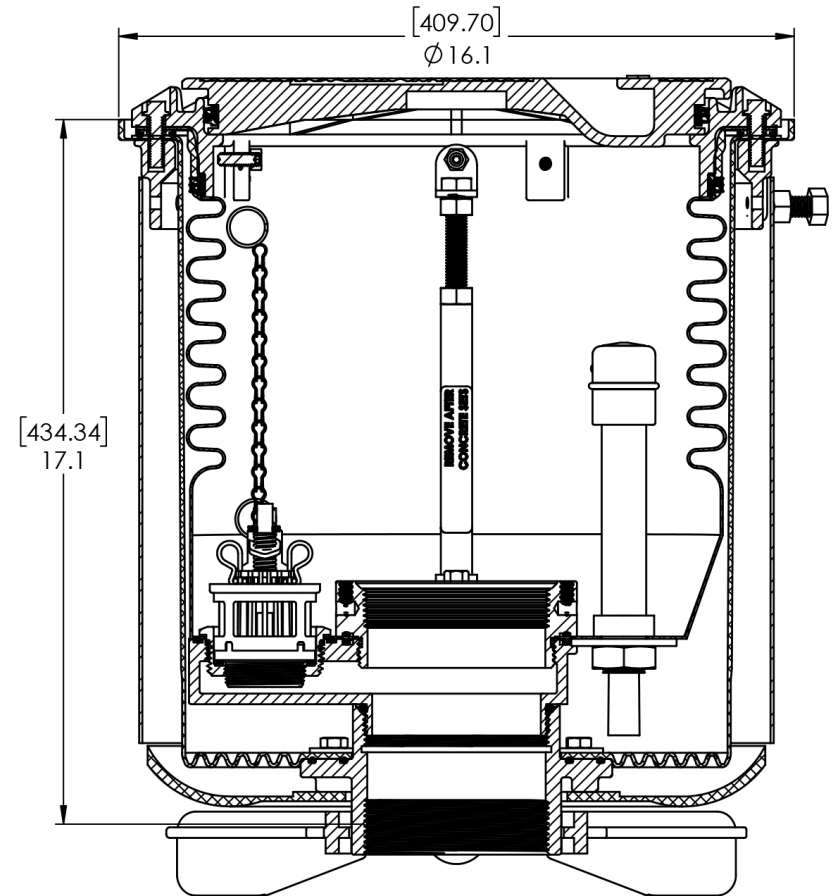
#### Approvals

- Phase I EVR Executive Order VR-105
- ULC Listed MH21149
- FL DEP # EQ-741
- NC DENR
- MO DNR
- Lid meets H20 Load Rating

#### Variant Part Numbers

Model No.	Rim/Lid	Adapter/Cap
A1004EVR-316S	Black	N/A
A1004EVR-316SX*	Black	Fill

\*Includes A0030-124S Fill Swivel Adapter and A0097-005 Fill Cap



<b>EMCO</b> <sup>®</sup> WHEATON RETAIL		EMCO WHEATON RETAIL CORPORATION 2300 INDUSTRIAL PARK DRIVE WILSON, NC 27893					
<b>DO NOT SCALE DRAWING-WORK TO DIMENSIONS SHOWN</b> <small>DIMENSIONS ARE IN INCHES (DIMENSIONS IN BRACKETS ARE IN MILLIMETERS)</small>				SYM	REVISIONS	DATE	BY
<b>UNLESS OTHERWISE SPECIFIED</b> DECIMALS      ANGLES .X ± .030    .XX ± .015    .XXX ± .005    ± 1° <small>CASTING TOLERANCES TO INDUSTRY STANDARDS MACHINED SURFACES 125 RMS REMOVE ALL BURRS</small>		DRAWN BY GEB	DATE 7/9/19	USED ON 		PART NAME <b>DOUBLE WALL 16" CENTER NPT W/ EVR DRAIN</b>	
<small>THE INFORMATION AND DESIGN DISCLOSED BY AND THE COPYRIGHT IN THIS DRAWING ARE THE PROPERTY OF EMCO WHEATON RETAIL CORP. AND CANNOT BE USED WITHOUT WRITTEN PERMISSION.</small>		CHECKED BY 	DATE 	PROJECT NUMBER 		SIZE 	DRAWING NUMBER 
		APPROVED BY 	DATE 	SCALE N/A	WEIGHT 	PAGE 	REV 
		MATERIAL SEE NOTE		CASTING NUMBER 		<b>A A1004EVR-316S</b>	<b>1 OF 1</b>