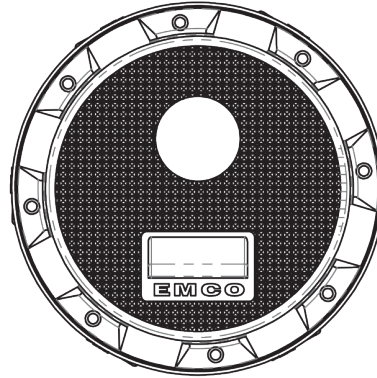


A1004EVR-317A

Single Wall Poly

Spill Containment



Specifications

- Replaceable; easily repair or replace primary unit from grade without breaking concrete
- 5 gal capacity
- Screw-on
- Weights: Lid: 15.9 lbs; Total: 63 lbs

Materials

- Cast iron rim
- Cast iron lid; water resistant with built-in handle, exclusive triple wiper seal and vent valve

Application

- Grade level
- Installs 16" on center

Components

- Removable drain plug

Approvals

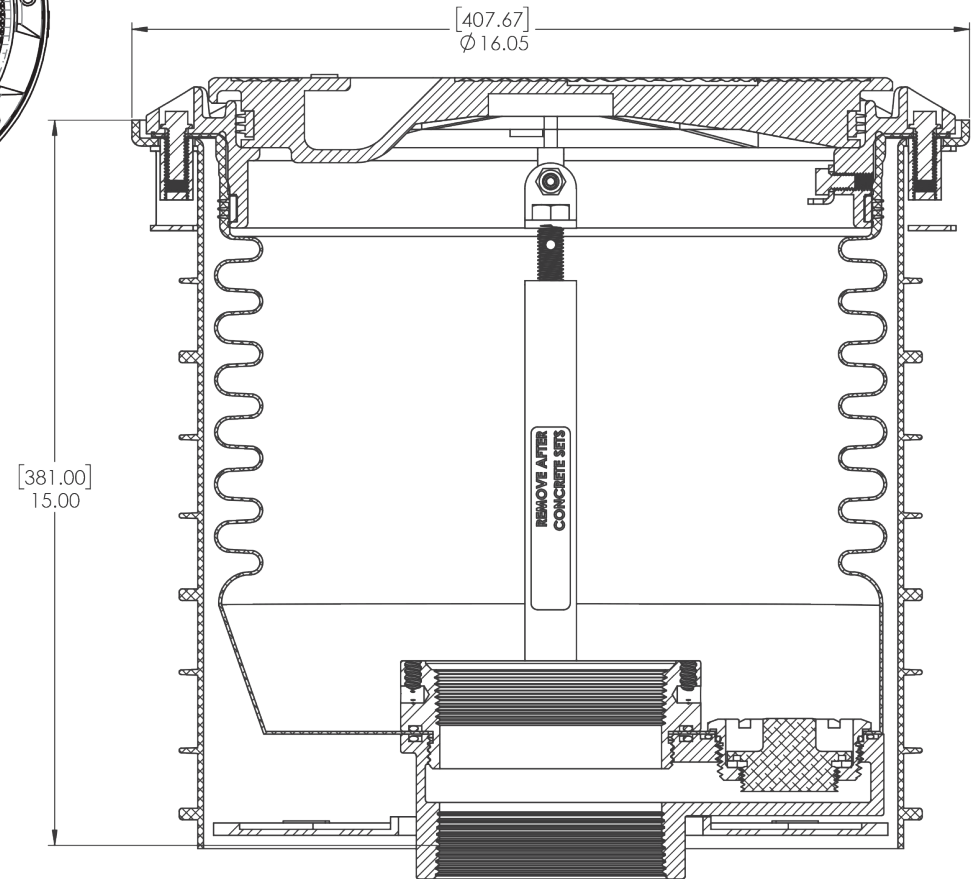
- Phase I EVR Executive Order VR-105
- ULC Listed MH21149
- FL DEP # EQ-741
- NC DENR
- MO DNR
- Lid meets H20 Load Rating

Color Variant Part Numbers

Model No.	Rim/Lid	Adapter/Cap
A1004EVR-317A	Black	N/A
A1004EVR-317AV*	Black	Vapor
A1004EVR-317AV-V*	Orange	Vapor
A1004EVR-317AX-D**	Yellow	Fill
A1004EVR-317AX-R**	White	Fill
A1004EVR-317AX-U**	Red	Fill

*Includes A0076-124S Vapor Swivel Adapter and A0099-002 Vapor Cap

**Includes A0030-124S Fill Swivel Adapter and A0097-005 Fill Cap



EMCO WHEATON RETAIL		EMCO WHEATON RETAIL CORPORATION 2300 INDUSTRIAL PARK DRIVE WILSON, N.C. 27893					
DO NOT SCALE DRAWING—WORK TO DIMENSIONS SHOWN DIMENSIONS ARE IN INCHES (DIMENSIONS IN BRACKETS ARE IN MILLIMETERS)				SYM	REVISIONS	DATE	BY
UNLESS OTHERWISE SPECIFIED		DRAWN BY NPC 1/6/15	DATE 1/6/15	USED ON N/A		PART NAME SW 5 GAL NO DRAIN	
DECIMALS .X ± .030 .XX ± .015 .XXX ± .005 ± 1"		ANGLES		CHECKED BY		PROJECT NUMBER	
CASTING TOLERANCES TO INDUSTRY STANDARDS MACHINED SURFACES 125 RMS REMOVE ALL BURRS				APPROVED BY	DATE	SCALE N/A	WEIGHT
THE INFORMATION AND DESIGN DISCLOSED BY AND THE COPYRIGHT IN THIS DRAWING ARE THE PROPERTY OF EMCO WHEATON RETAIL CORP. AND CANNOT BE USED WITHOUT WRITTEN PERMISSION				MATERIAL	CASTING NUMBER		SIZE D
				DRAWING NUMBER DA1004EVR-317A		REV. D	