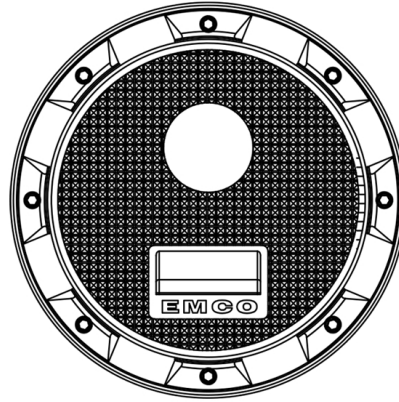


A1005-517S-CM

Double Wall Stainless Steel Spill Containment



Specifications

- Replaceable; easily repair or replace primary & secondary units from grade without breaking concrete
- 5 gal capacity
- Slip-on
- Weights: Lid: 15.9 lbs; Total: 84.5 lbs

Materials

- Cast iron rim
- Cast iron water resistant lid with built-in handle, exclusive triple wiper seal and vent valve
- Nitrile seals

Application

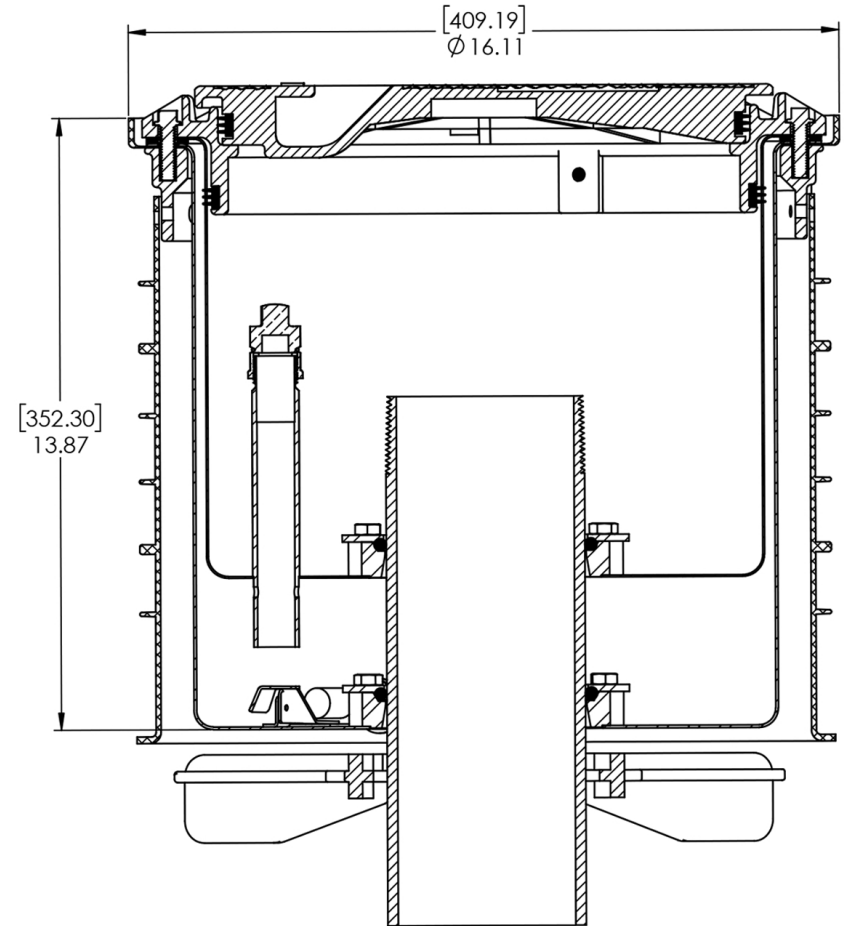
- Grade level
- Installs 16" on center

Components

- Liquid sensor

Approvals

- ULC Listed MH21149
- FL DEP # EQ-524
- Lid meets H20 Load Rating



© 2019 Emco Wheaton Retail Corporation

EMCO[®]

EMCO WHEATON RETAIL CORPORATION
2300 INDUSTRIAL PARK DRIVE
WILSON, N.C. 27893

DO NOT SCALE DRAWING—WORK TO DIMENSIONS SHOWN
DIMENSIONS ARE IN INCHES (DIMENSIONS IN BRACKETS ARE IN MILLIMETERS)

UNLESS OTHERWISE SPECIFIED

DECIMALS ANGLES
.X ± .030 .XX ± .015 .XXX ± .005 ± 1°

CASTING TOLERANCES TO INDUSTRY STANDARDS
MACHINED SURFACES 125 RMS REMOVE ALL BURRS

THE INFORMATION AND DESIGN DISCLOSED BY AND
THE COPYRIGHT IN THIS DRAWING ARE THE
PROPERTY OF EMCO WHEATON RETAIL CORP. AND
CANNOT BE USED WITHOUT WRITTEN PERMISSION.

DRAWN BY GEB	DATE 2/11/11	USED ON
CHECKED BY	DATE	PROJECT NUMBER
APPROVED BY	DATE	SCALE N/A
MATERIAL	WEIGHT	CASTING NUMBER

SYM	REVISIONS	DATE	BY
PART NAME SPILL BUCKET, SST DW 16" W/ SENSOR			
SIZE	DRAWING NUMBER.	REV.	
A1005-517S-CM			C